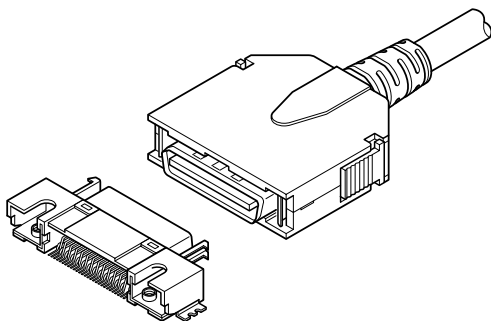


# DX CONNECTOR

1.27mm(.050")pitch ultra-thin I/O connectors



The DX connector is an I/O connector designed to connect notebook PC's or PDA's(Personal Digital Assistants).



## Features

- **Distortion prevention device**

The contacts are bellows type, which are resistant to distortion during mating and unmating.

- **One-touch locking device**

- **EMI shielding effect**

- **Insulation displacement system**

The cable is connected to the plug using the insulation displacement method. Special application tooling is available to aid assembly.

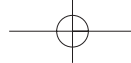
- **Embossed tape for automatic mounting**

The DX receptacle is very light, and can be packaged in embossed tape for automatic mounting.

## Specifications

- Current rating: 0.5A AC, DC
- Voltage rating: 250V AC, DC
- Temperature range: -40°C to +85°C  
(including temperature rise in applying electrical current)
- Contact resistance: Initial value/40mΩ max.  
After environmental testing/60mΩ max.
- Insulation resistance: 1,000MΩ min.
- Withstanding voltage: 500V AC/minute
- Applicable wire: AWG #28  
Conductor/7 strands, tin-coated annealed copper  
Insulation O.D./0.58mm(.023")

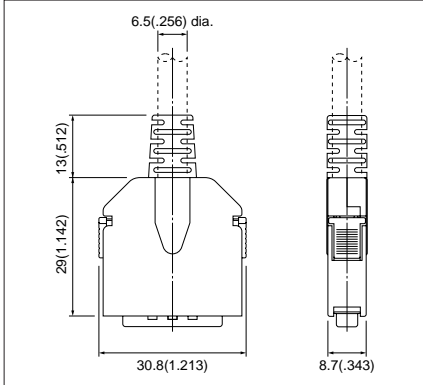
\* Contact JST for details



# DX CONNECTOR

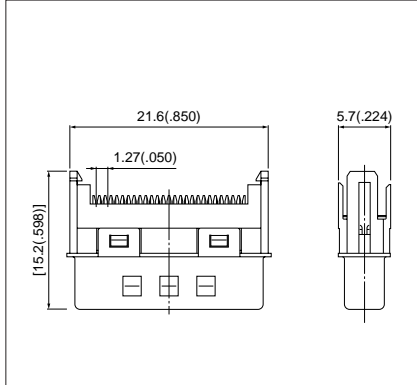
## Plug

### Plug assembly



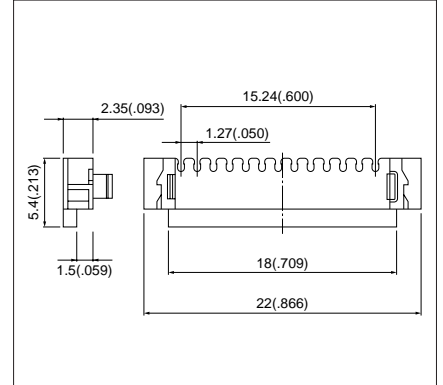
Model No.
<b>DX-P-S26-A31-310A</b>

### Plug housing



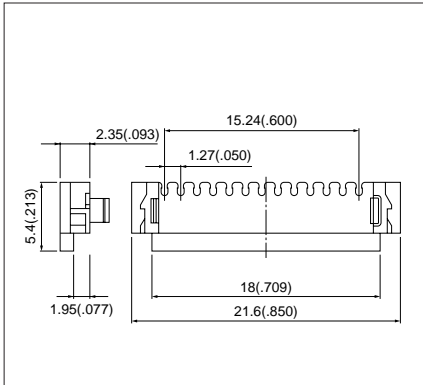
Model No.	Material and Finish
<b>DX-P-HA26-A1-1310</b>	Contact: phosphor bronze, nickel-undercoated ID section...tin/lead-plated Mating section...gold-plated Housing: PBT, UL94V-0 Shell: Mild steel, nickel-plated

### Strain relief A



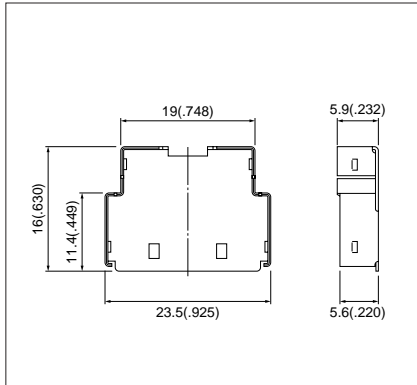
Model No.	Material
<b>DX-P-SR26A-A11</b>	PC, UL94V-0

### Strain relief B



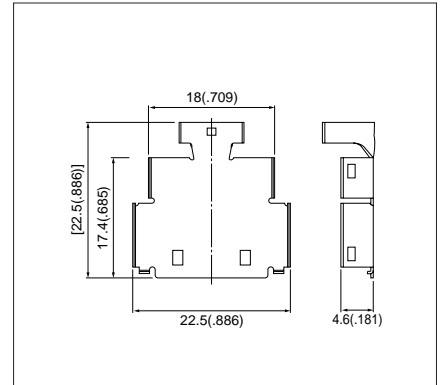
Model No.	Material
<b>DX-P-SR26B-A11</b>	PC, UL94V-0

### Metal cover A



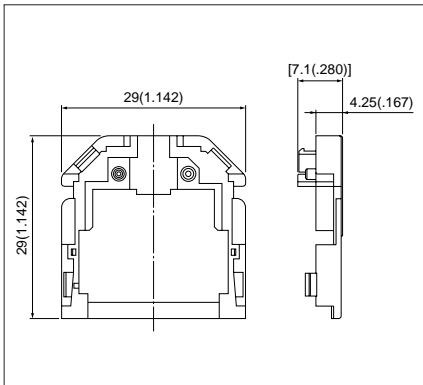
Model No.	Material
<b>DX-P-MC26A-010</b>	Stainless steel

### Metal cover B



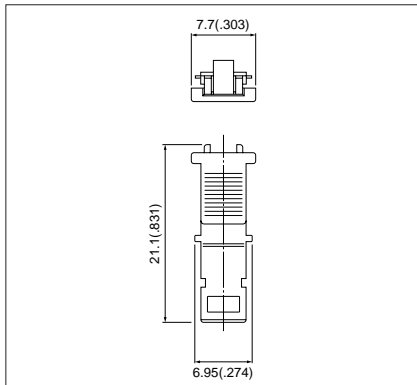
Model No.	Material
<b>DX-P-MC26B-110</b>	Stainless steel

### Cover housing



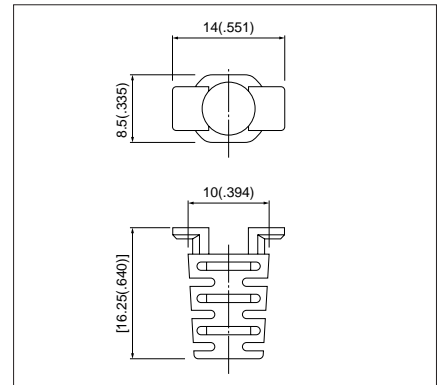
Model No.	Material
<b>DX-P-CH26-01</b>	PC, UL94V-0

### Lock

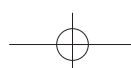


Model No.	Material
<b>DX-P-LA-101</b>	Lock button: PC, UL94V-0 Metal fixture: Stainless steel

### Bushing



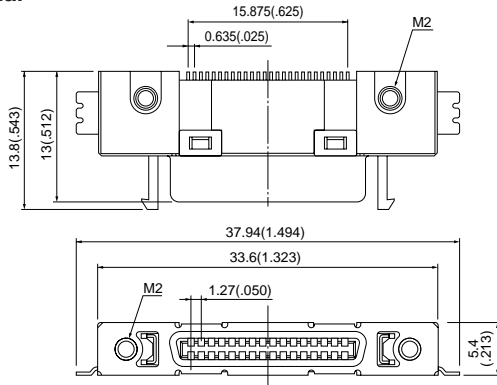
Model No.	Material
<b>DX-P-B26-11</b>	PVC, UL94V-0



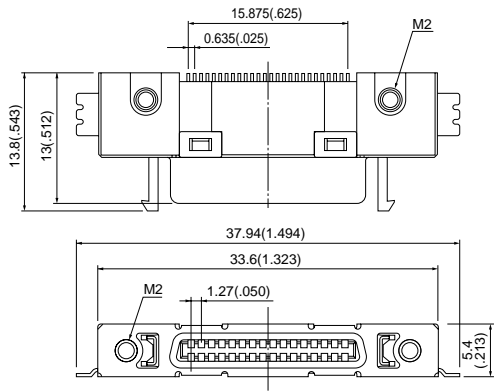
# DX CONNECTOR

## Receptacle

### Normal



### Reverse

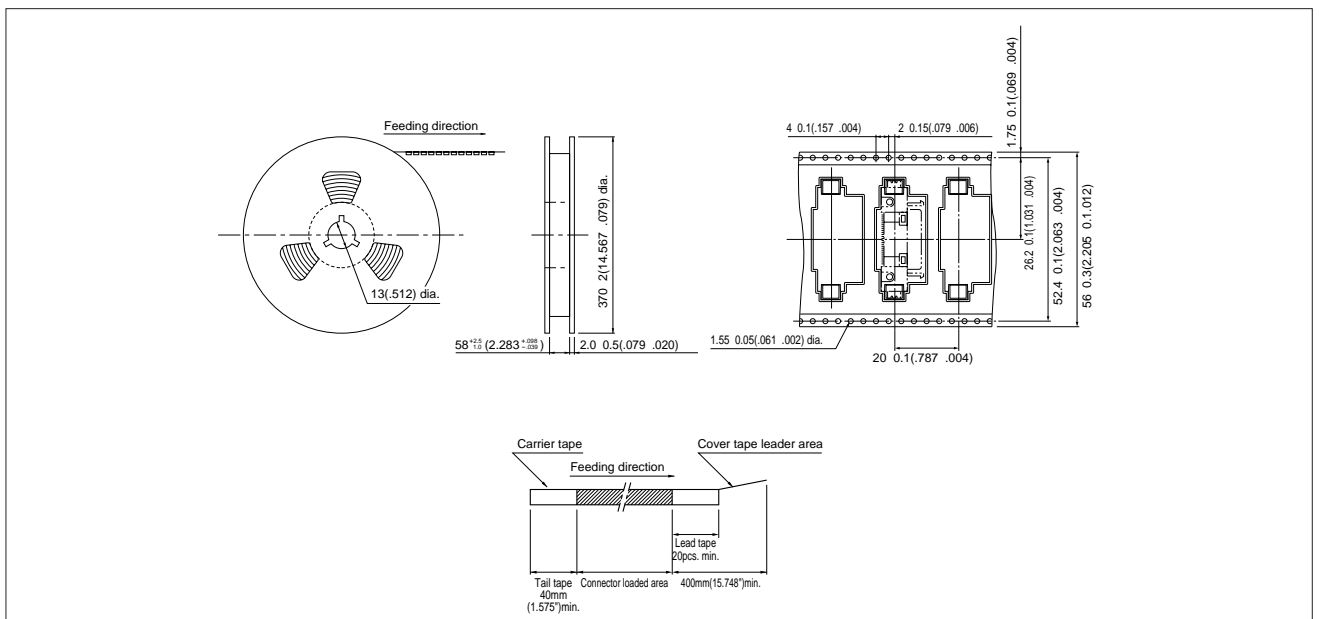


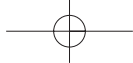
Type	Circuits	Model No.	Qty/reel
Normal	26	<b>DX-RN26S-350C</b>	600
Reverse	26	<b>DX-RR26S-350C</b>	600

### Material and Finish

Contact: Phosphor bronze, nickel-undercoated  
 Mating section...gold-plated  
 Solder tail...tin/lead plated  
 Housing: PPS, UL94V-0  
 Solder tab: Brass, nickel-undercoated, tin/lead-plated  
 Shell: Stainless steel

## Taping Specifications





# DX CONNECTOR

## PC board layout (viewed from component side)

