

40 A High power 90° – European footprint, sizes DE – DC, with plastic bracket and grounding bracket

Part numbers with plastic bracket with grounding bracket and captive nut M3

Part numbers with plastic bracket with grounding bracket with bushing diam. 3,05

Part numbers with plastic bracket with grounding bracket with post M3

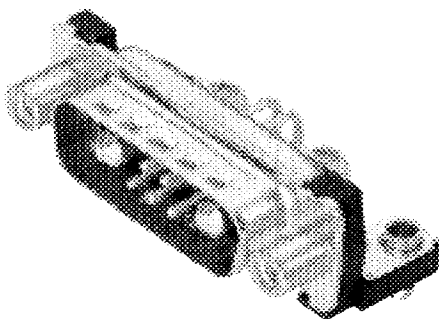
Shell size	Layout	P/N without pushfit	P/N with pushfit	P/N without pushfit	P/N with pushfit	P/N without pushfit	P/N with pushfit
DE	5W1	DEM-5P1P-1AVN-A191-K87	DEM-5P1P-1AVN-A191-K87-146	DEM-5P1P-1ADN-A191-K87	DEM-5P1P-1ADN-A191-K87-146	DEM-5P1P-1AGN-A191-K87	DEM-5P1P-1AGN-A191-K87-146
DA	7W2	DAM-7P2P-1AVN-A191-K87	DAM-7P2P-1AVN-A191-K87-146	DAM-7P2P-1ADN-A191-K87	DAM-7P2P-1ADN-A191-K87-146	DAM-7P2P-1AGN-A191-K87	DAM-7P2P-1AGN-A191-K87-146
DA	11W1	DAM-11P1P-1AVN-A191-K87	DAM-11P1P-1AVN-A191-K87-146	DAM-11P1P-1ADN-A191-K87	DAM-11P1P-1ADN-A191-K87-146	DAM-11P1P-1AGN-A191-K87	DAM-11P1P-1AGN-A191-K87-146
DA	3W3	DAM-3P3P-1AVN-A191-K87	DAM-3P3P-1AVN-A191-K87-146	DAM-3P3P-1ADN-A191-K87	DAM-3P3P-1ADN-A191-K87-146	DAM-3P3P-1AGN-A191-K87	DAM-3P3P-1AGN-A191-K87-146
DA	3WK3	DAM-3PK3P-1AVN-A191-K87	DAM-3PK3P-1AVN-A191-K87-146	DAM-3PK3P-1ADN-A191-K87	DAM-3PK3P-1ADN-A191-K87-146	DAM-3PK3P-1AGN-A191-K87	DAM-3PK3P-1AGN-A191-K87-146
DB	5W5	DBM-5P5P-1AVN-A191-K87	DBM-5P5P-1AVN-A191-K87-146	DBM-5P5P-1ADN-A191-K87	DBM-5P5P-1ADN-A191-K87-146	DBM-5P5P-1AGN-A191-K87	DBM-5P5P-1AGN-A191-K87-146
DB	9W4	DBM-9P4P-1AVN-A191-K87	DBM-9P4P-1AVN-A191-K87-146	DBM-9P4P-1ADN-A191-K87	DBM-9P4P-1ADN-A191-K87-146	DBM-9P4P-1AGN-A191-K87	DBM-9P4P-1AGN-A191-K87-146
DB	13W3	DBM-13P3P-1AVN-A191-K87	DBM-13P3P-1AVN-A191-K87-146	DBM-13P3P-1ADN-A191-K87	DBM-13P3P-1ADN-A191-K87-146	DBM-13P3P-1AGN-A191-K87	DBM-13P3P-1AGN-A191-K87-146
DB	17W2	DBM-17P2P-1AVN-A191-K87	DBM-17P2P-1AVN-A191-K87-146	DBM-17P2P-1ADN-A191-K87	DBM-17P2P-1ADN-A191-K87-146	DBM-17P2P-1AGN-A191-K87	DBM-17P2P-1AGN-A191-K87-146
DB	21W1	DBM-21P1P-1AVN-A191-K87	DBM-21P1P-1AVN-A191-K87-146	DBM-21P1P-1ADN-A191-K87	DBM-21P1P-1ADN-A191-K87-146	DBM-21P1P-1AGN-A191-K87	DBM-21P1P-1AGN-A191-K87-146
DC	8W8	DCM-8P8P-1AVN-A191-K87	DCM-8P8P-1AVN-A191-K87-146	DCM-8P8P-1ADN-A191-K87	DCM-8P8P-1ADN-A191-K87-146	DCM-8P8P-1AGN-A191-K87	DCM-8P8P-1AGN-A191-K87-146
DC	13W6	DCM-13P6P-1AVN-A191-K87	DCM-13P6P-1AVN-A191-K87-146	DCM-13P6P-1ADN-A191-K87	DCM-13P6P-1ADN-A191-K87-146	DCM-13P6P-1AGN-A191-K87	DCM-13P6P-1AGN-A191-K87-146
DC	17W5	DCM-17P5P-1AVN-A191-K87	DCM-17P5P-1AVN-A191-K87-146	DCM-17P5P-1ADN-A191-K87	DCM-17P5P-1ADN-A191-K87-146	DCM-17P5P-1AGN-A191-K87	DCM-17P5P-1AGN-A191-K87-146
DC	21WA4	DCM-21PA4P-1AVN-A191-K87	DCM-21PA4P-1AVN-A191-K87-146	DCM-21PA4P-1ADN-A191-K87	DCM-21PA4P-1ADN-A191-K87-146	DCM-21PA4P-1AGN-A191-K87	DCM-21PA4P-1AGN-A191-K87-146
DC	25W3	DCM-25P3P-1AVN-A191-K87	DCM-25P3P-1AVN-A191-K87-146	DCM-25P3P-1ADN-A191-K87	DCM-25P3P-1ADN-A191-K87-146	DCM-25P3P-1AGN-A191-K87	DCM-25P3P-1AGN-A191-K87-146
DC	27W2	DCM-27P2P-1AVN-A191-K87	DCM-27P2P-1AVN-A191-K87-146	DCM-27P2P-1ADN-A191-K87	DCM-27P2P-1ADN-A191-K87-146	DCM-27P2P-1AGN-A191-K87	DCM-27P2P-1AGN-A191-K87-146

For performance class 1 replace A191 with A190.  
For performance class 3 delete A191.

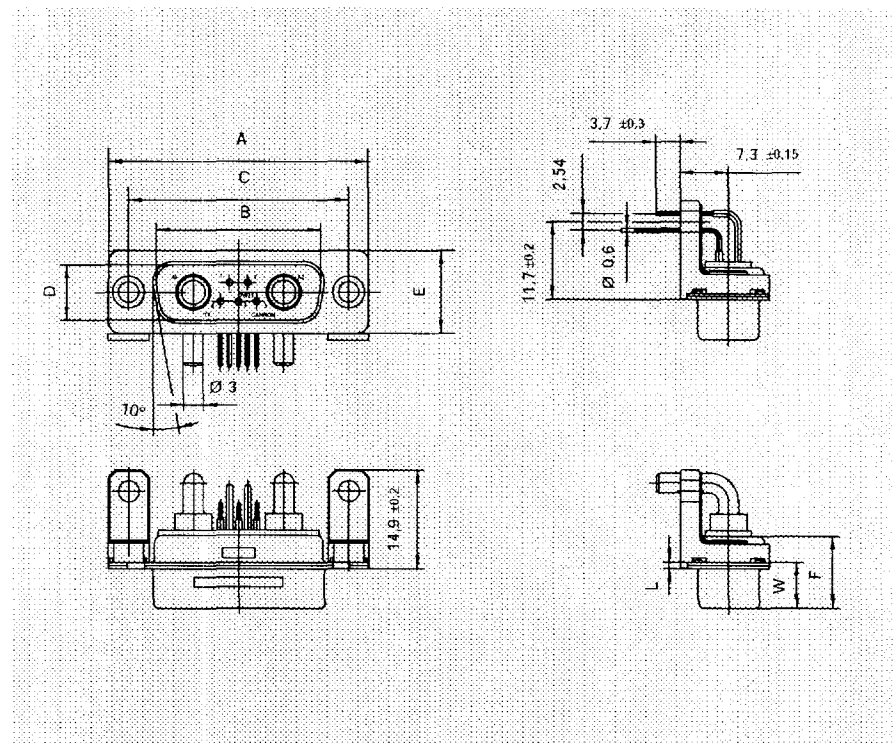
For post 4-40 UNC thread replace 1AVN with 1AWN and 1AGN with 1AJN.

For pushfit 90° hole diameter 3.2 mm replace 146 with 162.

Pin



- For contact cavity arrangements, see page 52.
- For pcb hole pattern, see page 68 – 71.
- For mounting methods, see page 86 – 87.
- For panel cut-outs, see our D Subminiature catalogue.



Dimensions

Shell size	A ±0,38	B ±0,13	C ±0,13	D ±0,13	E ±0,13	F ±0,25	L + 0,2	W ±0,4
DE	30,8	16,9	25	8,35	12,55	10,7	0,8	6,7
DA	39,15	25,25	33,3	8,35	12,55	10,7	0,8	6,7
DB	53,05	38,95	47,05	8,35	12,55	10,8	0,9	6,8
DC	69,3	55,4	63,5	8,35	12,55	10,8	0,9	6,8

40 A High power 90° – European footprint, sizes DE – DC, with plastic bracket and grounding bracket

Part numbers with plastic bracket with grounding bracket and captive nut M3

Part numbers with plastic bracket with grounding bracket with bushing diam. 3,05

Part numbers with plastic bracket with grounding bracket with post M3

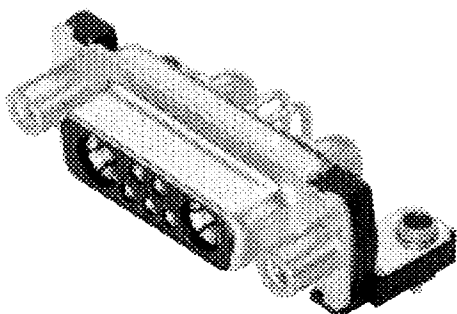
Shell Layout size	P/N without pushfit	P/N with pushfit	P/N without pushfit	P/N with pushfit	P/N without pushfit	P/N with pushfit
DE 5W1	DEM-5P1S-1AVN-A191-A197	DEM-5P1S-1AVN-A191-A197-146	DEM-5P1S-1ADN-A191-A197	DEM-5P1S-1ADN-A191-A197-146	DEM-5P1S-1AGN-A191-A197	DEM-5P1S-1AGN-A191-A197-146
DA 7W2	DAM-7P2S-1AVN-A191-A197	DAM-7P2S-1AVN-A191-A197-146	DAM-7P2S-1ADN-A191-A197	DAM-7P2S-1ADN-A191-A197-146	DAM-7P2S-1AGN-A191-A197	DAM-7P2S-1AGN-A191-A197-146
DA 11W1	DAM-11P1S-1AVN-A191-A197	DAM-11P1S-1AVN-A191-A197-146	DAM-11P1S-1ADN-A191-A197	DAM-11P1S-1ADN-A191-A197-146	DAM-11P1S-1AGN-A191-A197	DAM-11P1S-1AGN-A191-A197-146
DA 3W3	DAM-3P3S-1AVN-A191-A197	DAM-3P3S-1AVN-A191-A197-146	DAM-3P3S-1ADN-A191-A197	DAM-3P3S-1ADN-A191-A197-146	DAM-3P3S-1AGN-A191-A197	DAM-3P3S-1AGN-A191-A197-146
DA 3WK3	DAM-3PK3S-1AVN-A191-A197	DAM-3PK3S-1AVN-A191-A197-146	DAM-3PK3S-1ADN-A191-A197	DAM-3PK3S-1ADN-A191-A197-146	DAM-3PK3S-1AGN-A191-A197	DAM-3PK3S-1AGN-A191-A197-146
DB 5W5	DBM-5P5S-1AVN-A191-A197	DBM-5P5S-1AVN-A191-A197-146	DBM-5P5S-1ADN-A191-A197	DBM-5P5S-1ADN-A191-A197-146	DBM-5P5S-1AGN-A191-A197	DBM-5P5S-1AGN-A191-A197-146
DB 9W4	DBM-9P4S-1AVN-A191-A197	DBM-9P4S-1AVN-A191-A197-146	DBM-9P4S-1ADN-A191-A197	DBM-9P4S-1ADN-A191-A197-146	DBM-9P4S-1AGN-A191-A197	DBM-9P4S-1AGN-A191-A197-146
DB 13W3	DBM-13P3S-1AVN-A191-A197	DBM-13P3S-1AVN-A191-A197-146	DBM-13P3S-1ADN-A191-A197	DBM-13P3S-1ADN-A191-A197-146	DBM-13P3S-1AGN-A191-A197	DBM-13P3S-1AGN-A191-A197-146
DB 17W2	DBM-17P2S-1AVN-A191-A197	DBM-17P2S-1AVN-A191-A197-146	DBM-17P2S-1ADN-A191-A197	DBM-17P2S-1ADN-A191-A197-146	DBM-17P2S-1AGN-A191-A197	DBM-17P2S-1AGN-A191-A197-146
DB 21W1	DBM-21P1S-1AVN-A191-A197	DBM-21P1S-1AVN-A191-A197-146	DBM-21P1S-1ADN-A191-A197	DBM-21P1S-1ADN-A191-A197-146	DBM-21P1S-1AGN-A191-A197	DBM-21P1S-1AGN-A191-A197-146
DC 8W8	DCM-8P8S-1AVN-A191-A197	DCM-8P8S-1AVN-A191-A197-146	DCM-8P8S-1ADN-A191-A197	DCM-8P8S-1ADN-A191-A197-146	DCM-8P8S-1AGN-A191-A197	DCM-8P8S-1AGN-A191-A197-146
DC 13W6	DCM-13P6S-1AVN-A191-A197	DCM-13P6S-1AVN-A191-A197-146	DCM-13P6S-1ADN-A191-A197	DCM-13P6S-1ADN-A191-A197-146	DCM-13P6S-1AGN-A191-A197	DCM-13P6S-1AGN-A191-A197-146
DC 17W5	DCM-17P5S-1AVN-A191-A197	DCM-17P5S-1AVN-A191-A197-146	DCM-17P5S-1ADN-A191-A197	DCM-17P5S-1ADN-A191-A197-146	DCM-17P5S-1AGN-A191-A197	DCM-17P5S-1AGN-A191-A197-146
DC 21WA4	DCM-21PA4S-1AVN-A191-A197	DCM-21PA4S-1AVN-A191-A197-146	DCM-21PA4S-1ADN-A191-A197	DCM-21PA4S-1ADN-A191-A197-146	DCM-21PA4S-1AGN-A191-A197	DCM-21PA4S-1AGN-A191-A197-146
DC 25W3	DCM-25P3S-1AVN-A191-A197	DCM-25P3S-1AVN-A191-A197-146	DCM-25P3S-1ADN-A191-A197	DCM-25P3S-1ADN-A191-A197-146	DCM-25P3S-1AGN-A191-A197	DCM-25P3S-1AGN-A191-A197-146
DC 27W2	DCM-27P2S-1AVN-A191-A197	DCM-27P2S-1AVN-A191-A197-146	DCM-27P2S-1ADN-A191-A197	DCM-27P2S-1ADN-A191-A197-146	DCM-27P2S-1AGN-A191-A197	DCM-27P2S-1AGN-A191-A197-146

For performance class 1 replace A191 with A190.  
For performance class 3 delete A191.

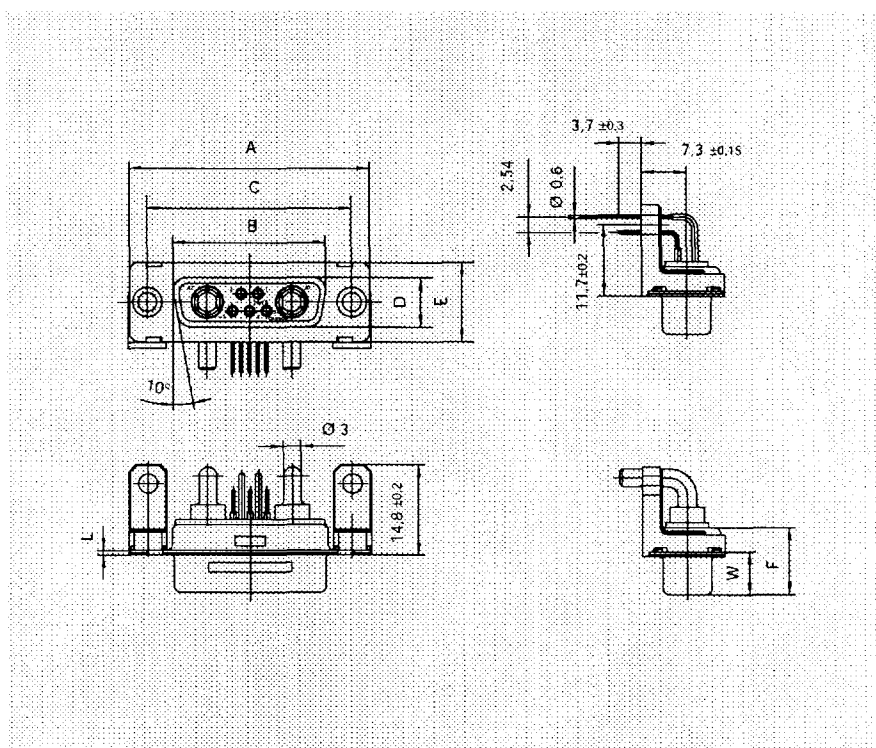
For post 4-40 UNC thread replace 1AVN with 1AWN and 1AGN with 1AJN.

For pushfit 90° hole diameter 3,2 mm replace 146 with 162.

## Socket



- For contact cavity arrangements, see page 53.
- For pcb hole pattern, see page 72 – 75.
- For mounting methods, see page 86 – 87.
- For panel cut-outs, see our D Subminiature catalogue.



## Dimensions

Shell size	A ± 0,38	B ± 0,13	C ± 0,13	D ± 0,13	E ± 0,13	F ± 0,25	L + 0,2	W ± 0,4
DE	30,8	16,35	25	7,9	12,55	10,9	0,8	6,95
DA	39,15	24,65	33,3	7,9	12,55	10,9	0,8	6,95
DB	53,05	38,4	47,05	7,9	12,55	10,9	0,8	6,95
DC	69,3	54,85	63,5	7,9	12,55	10,9	0,8	6,95