

SURFACE-MOUNT HIGH CURRENT POWER INDUCTORS

ASPI -0706HC, -0802HC, -1306HC SERIES



STANDARD SPECIFICATIONS

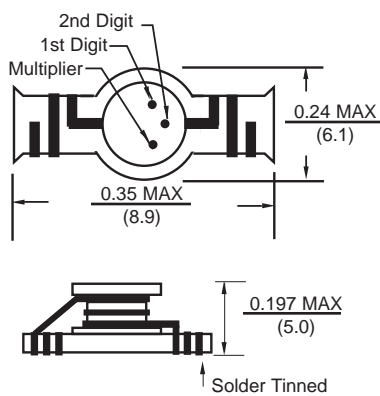
Part Number ² # - XXX	L ^{1,2} (mH)	DCR mW (MAX)			I _{dc} A (MAX)		
		ASPI 0706HC	ASPI 0802HC	ASPI 1306HC	ASPI 0706HC	ASPI 0802HC	ASPI 1306HC
R47M	0.47	10	5.0	3.0	6.0	11.4	15.0
1R0M	1.0	18	10	-	4.4	10.0	-
1R5M	1.5	20	8.0	4.0	4.2	7.9	14.0
2R2M	2.2	37	11	6.0	3.1	6.1	10.0
3R3M	3.3	43	13	9.0	2.9	5.1	10.0
3R9M	3.9	-	-	10	-	-	9.0
4R7M	4.7	55	17	14	2.2	4.2	8.5
5R6M	5.6	-	-	17	-	-	7.5
6R8M	6.8	90	20	18	1.7	3.6	7.5
8R2M	8.2	-	-	22	-	-	6.0
100M	10	110	27	16	1.5	3.3	6.0
150M	15	175	41	36	1.2	2.4	4.5
220M	22	255	62	47	1.0	2.0	3.8
330M	33	370	92	70	0.82	1.7	2.5
470M	47	480	139	-	0.72	1.4	-
680M	68	740	178	-	0.58	1.2	-
101M	100	1100	271	-	0.47	0.95	-

NOTES:

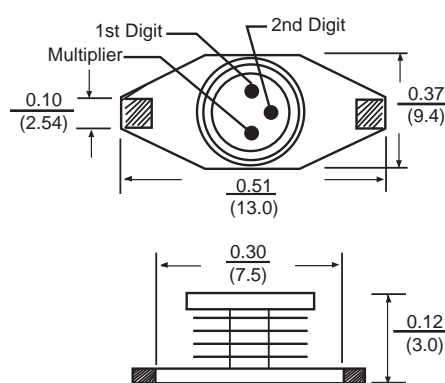
1. Inductance (L) measured @ 100KHz, 100mV with 0 DC bias
2. Inductance (L) tolerance: J = 5%, K = 10%, M = 20%
3. Operating temperature: -55°C to 85°C
4. Inductance drops by 10% at max rated current
5. Marking per EIA standard color code in mH
6. Dimensions: inches / mm; see spec sheet for tolerance limits
7. Specifications subject to change without notice

PHYSICAL CHARACTERISTICS⁶

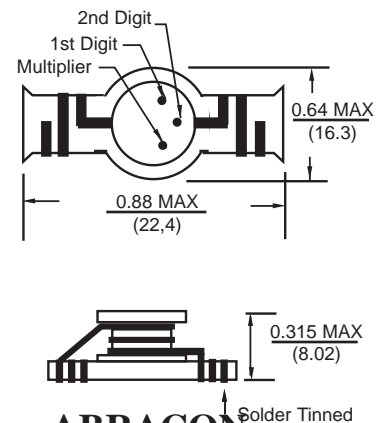
ASPI-0706HC-XXX



ASPI-0802HC-XXX



ASPI-1306HC-XXX



ABRACON IS
ISO 9001 / QS 9000
CERTIFIED

29 Journey • Aliso Viejo, CA 92656 • USA
(949) 448-7070 • Fax: (949) 448-8484

E-MAIL: abinfo@abracon.com • INTERNET ADDRESS: www.abracon.com

ABRACON[®]
CORPORATION