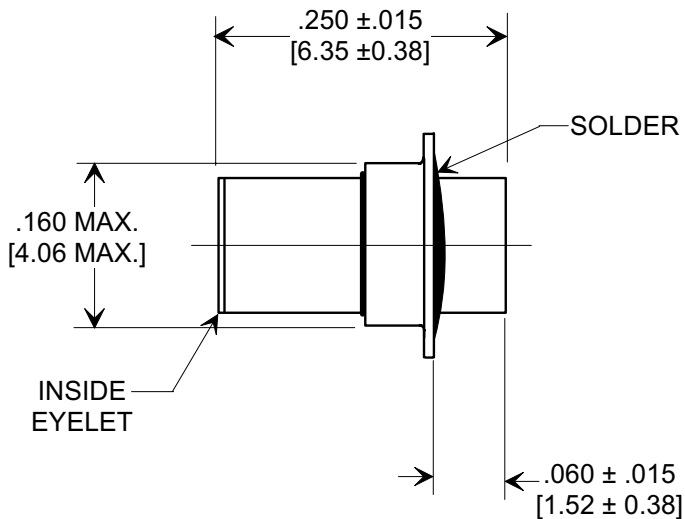
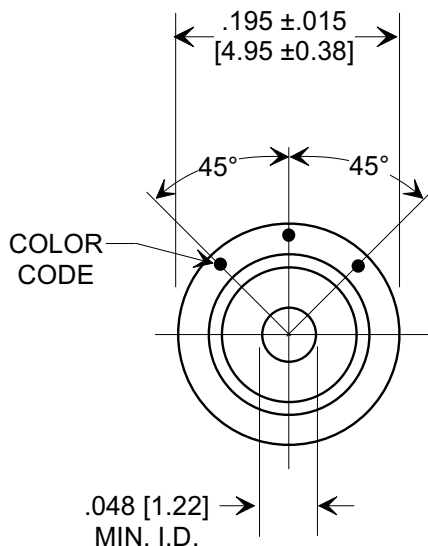
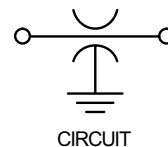
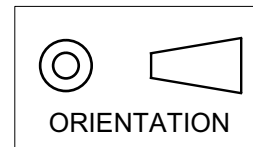


**MARKETING SALES DRAWING**

**DIMENSIONS IN INCHES - DO NOT SCALE THIS DRAWING**  
**DIMENSIONS IN METRIC - [ ]**

Electrical Testing  
 per Tusonix standard  
 test plans and Mil-Std-202  
 Test Methods.



**SPECIFICATIONS**

TUSONIX STYLE:	2482-034
Cap. Value:	500 pF
Cap. Tol.:	± 10 %
Temp. Char.:	X5P
Operating. Temp.:	-55° TO +85°C
Operating. Volt.:	300 WVDC
Dielectric Withstanding Voltage:	900 VDC
IR Min @ 100 VDC:	10 G
Marking:	Std. CC

X-2015 Rev-0  
**REVISION RECORD**  
 Original Release  
 C.O. 20050624-4-02  
**0**

<b>--TOLERANCES--</b> Unless Otherwise Specified		Title <b>FEED-THRU CAPACITOR</b>	
DECIMAL ± .015 [0.38]		Drawn S.M. 06-27-05	Scale 6 X
ANGLES ±		Approved T.C. 06-27-05	
<b>TUSONIX</b> TUCSON, ARIZONA		<b>A</b> 2482-034-X5P0-501K	