

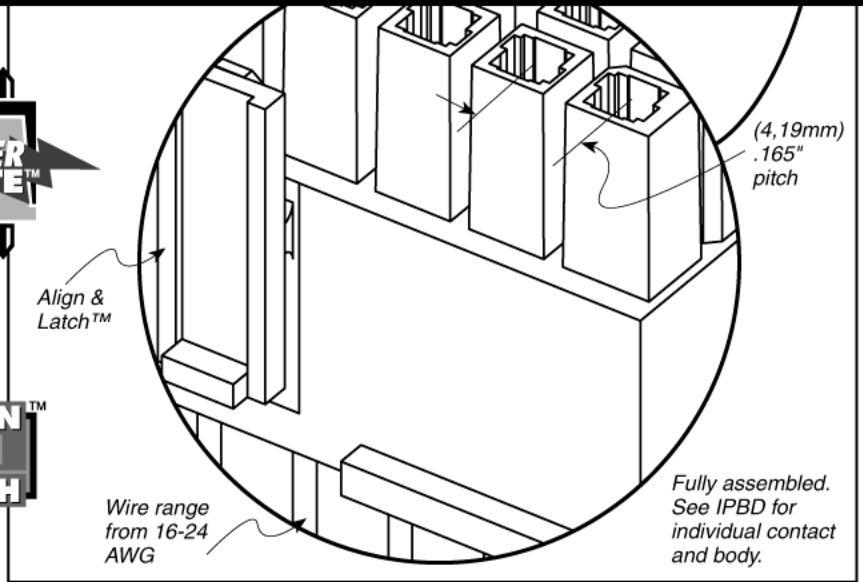
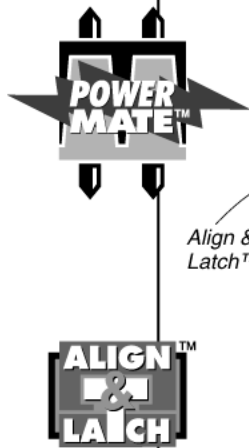
# POWER-MATE™ CABLE PMSD, PMSS SERIES

## SPECIFICATIONS

For complete specifications see [www.samtec.com?PMSD](http://www.samtec.com?PMSD) or [www.samtec.com?PMSS](http://www.samtec.com?PMSS)

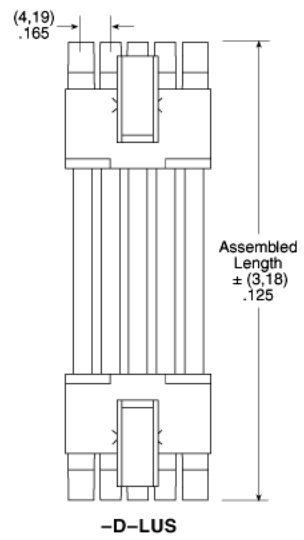
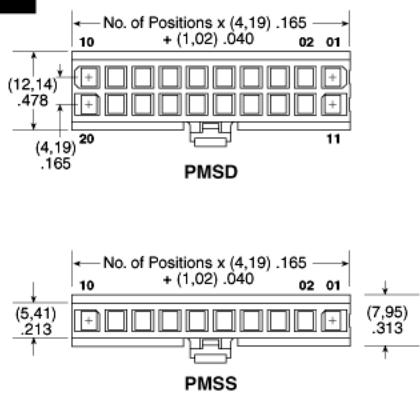
**Insulator Material:** Valox 457  
**Contact Material:** -SP= Phosphor Bronze -HP= High Copper Alloy  
**Plating:** Sn over 50µ" (1,27µm) Ni  
**Operating Temp Range:** -40°C to +105°C  
**Voltage Rating:** 975 VAC  
**Wire:** 16 to 24 AWG

Mates with: IPBT



CURRENT RATINGS		
6 in Series, 2x3 (mated with IPBT)		
Ambient Temperature	-SP	-HP
20°C	10A	12A
40°C	9A	11A
60°C	7A	9A
80°C	5A	6.5A

TYPE	PINS PER ROW	WIRE GAUGE	LEAD STYLE	ASSEMBLED LENGTH	D	OPTION
<b>PMSS</b> = Single Row (02 through 10 positions only)	-02 thru -15	-16 -18 -20 -22 -24	-SP = Standard Power -HP = High Power	- "XX.XX" = Wire Length in Inches (76,20mm) 03.00" min.	-D = Double End	(Applies to End 2 housing) -LUS = Latch up, straight -LDS = Latch down, straight -LUX = Latch up, crossed -LDX = Latch down, crossed



**Note:** Some lengths, styles and options are non-standard, non-returnable.

*Due to technical progress, all designs, specifications and components are subject to change without notice.*

**WWW.SAMTEC.COM**