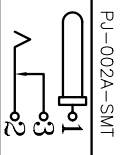
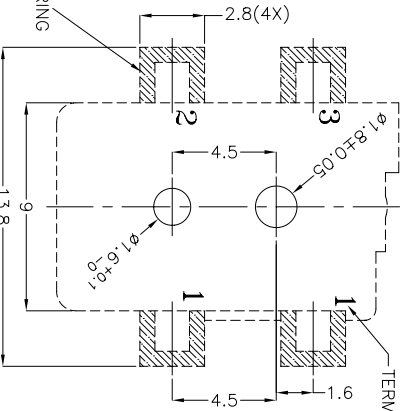
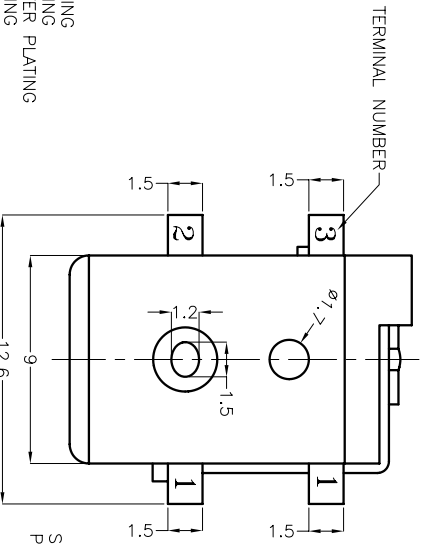
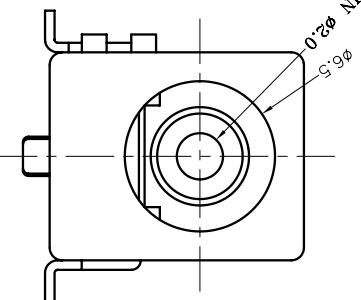
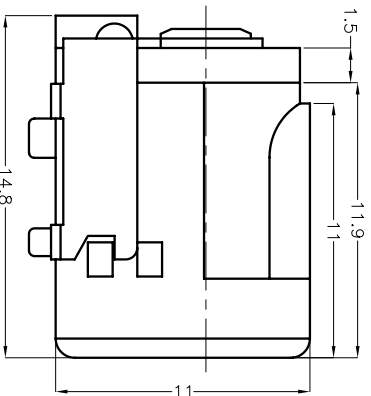
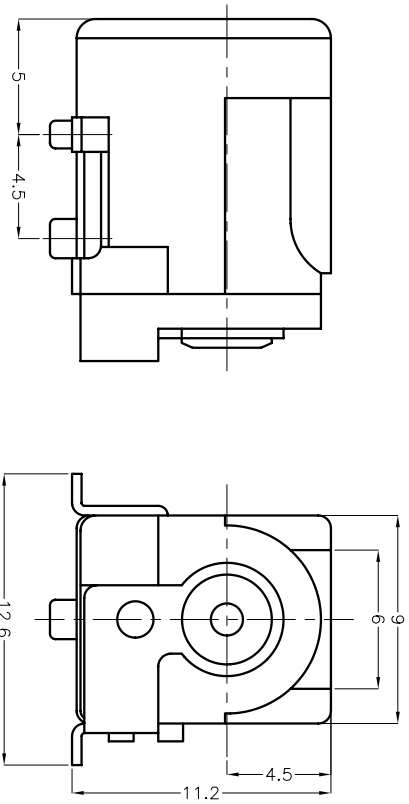
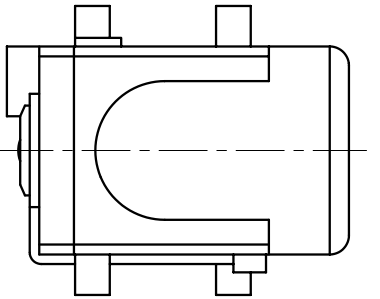


**SPECIFICATIONS**  
 RATING: 12V DC @ 1A  
 CONTACT RESISTANCE: 30m OHMS MAX  
 INSULATION RESISTANCE: 50M OHMS MIN: 500V DC  
 VOLTAGE WITHSTAND: 500 VAC R.M.S. FOR 1 MINUTE  
 LIFE: 3,500 CYCLES MIN

MODEL NO.	PJ-002A-SMT
SCHEMATIC	



**MATERIALS**  
 CENTER PIN: BRASS-NICKEL PLATING  
 TERMINAL-1: BRASS-SILVER PLATING  
 TERMINAL-2: COPPER ALLOY-SILVER PLATING  
 TERMINAL-3: BRASS-SILVER PLATING  
 COVER: NYLON 6T  
 HOUSING: NYLON 6T

PC FILE NAME: PJ002ASM.DWG

COPYRIGHT 1999 BY CUI STACK, INC.

PCB LAYOUT  
 (BOTTOM VIEW)

**cui STACK**  
 9615 SW Allen, Suite 103  
 Beaverton, OR 97005  
 Phone: (503) 643-4899  
 800-275-4899  
 Fax: (503) 643-6129  
 Website: www.cuistack.com

2.0mm SURFACE MOUNT POWER JACK

TITLE:	2.0mm SURFACE MOUNT POWER JACK	
PART NO.	PJ-002A-SMT	UNITS: Millimeters
DRAWN BY:	Todd R. White	SCALE: 3X
APPROVED BY:		