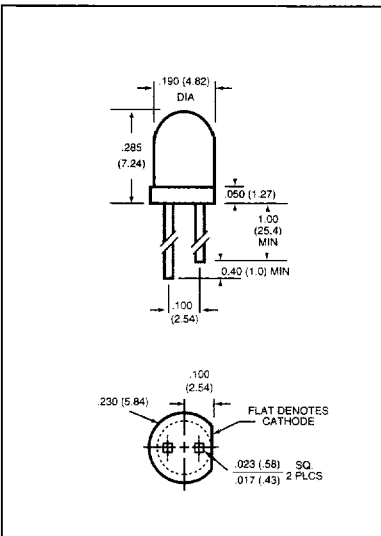


T-1 3/4 Bullet Lens									
Part Number	Source Color	Wave-length $\lambda_p$ (nm)	Lens Color	Typical Viewing Angle	Forward Voltage $V_F(V)$ typ max		Luminous Intensity $I_V(mcd)$ min typ		Notes
MV50152	HER	660	Red Clear	45°	1.6	2.0	0.6	2.0	3
MV50154		660	Red Diffused	50°	1.6	2.0	0.4	1.5	3
MV57152		635	Orange Clear	45°	2.0	3.0	4.0	10.0	3
MV57154		635	Orange Diffused	50°	2.0	3.0	2.0	8.0	3
MV54152		565	Green Clear	45°	2.2	3.0	2.5	15.0	3
MV54154		565	Green Diffused	50°	2.2	3.0	2.0	12.0	3
MV53152	Yellow	585	Amber Clear	45°	2.1	3.0	3.0	10.0	3
MV53154	Yellow	585	Amber Diffused	50°	2.1	3.0	1.5	8.0	3



T-1 3/4 Maximum Contrast									
Part Number	Source Color	Wave-length $\lambda_p$ (nm)	Lens Color	Typical Viewing Angle	Forward Voltage $V_F(V)$ typ max		Luminous Intensity $I_V(mcd)$ min typ		Notes
MV6151	HER	635	Pale Orange Diffused	70°	2.1	3.0	3.0	12.0	4
MV6951		660	Pale Pink Diffused	70°	1.8	3.0	3.0	12.0	4
MV6451		565	Pale Green Diffused	70°	2.3	3.0	3.0	12.0	4
MV6351	Yellow	585	Pale Yellow Diffused	70°	2.2	3.0	3.0	12.0	4

**Notes**

1.  $V_F$  &  $I_V$  @  $I_F=1$  mA
  2.  $V_F$  &  $I_V$  @  $I_F=2$  mA
  3.  $V_F$  &  $I_V$  @  $I_F=10$  mA
  4.  $V_F$  &  $I_V$  @  $I_F=20$  mA
- HER = High Efficiency Red

