

Right-angle through hole type modular jack for PCB

MOD-J4()DA()A+

| |
|---------------------------------|
| Modular connector |
| For PCB |
| Right-angle Through hole |
| FCC Standard |

RoHS

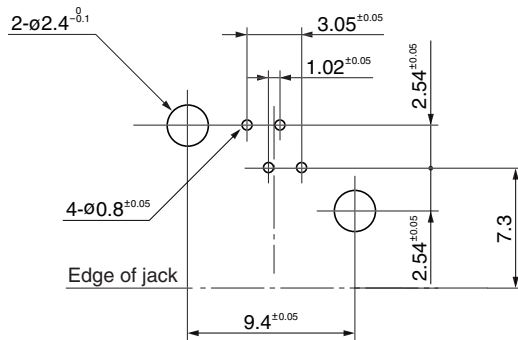
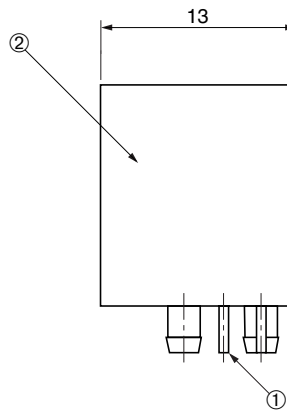
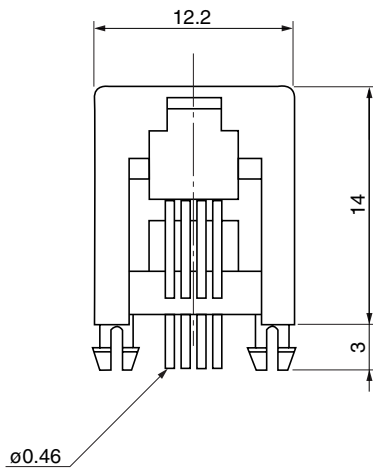


● Configuration of product Part No.

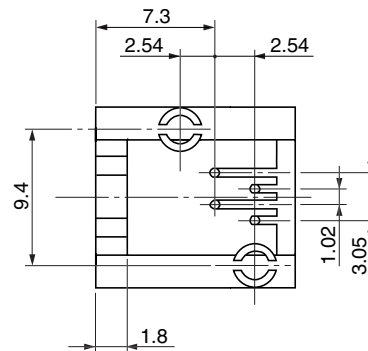
MOD- J 4 () DA () A+

① ② ③ ④ ⑤ ⑥

- | | |
|--------------------------------|-------------------------------|
| ① Series name | ⑤ Type of contact |
| ② Jack | Right-angle through hole type |
| ③ Opening size: For 4 contacts | ⑥ Contact plating |
| ④ No. of contacts | 03: Min. 0.3 μm Gold plate |
| 2: 4-2 Jack | 10: Min. 1.0 μm Gold plate |
| 4: 4-4 Jack | |



Recommended PCB layout



● Components

| | |
|---|-----------|
| ① | Contacts |
| ② | Insulator |

Mating connectors: 4-4 modular plug