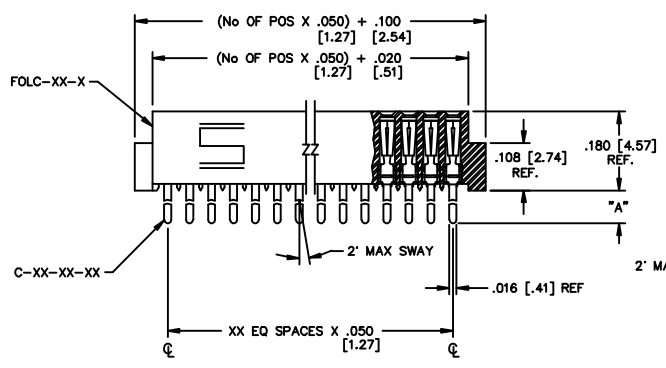
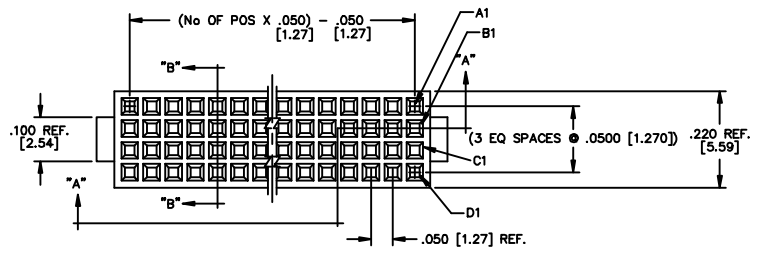
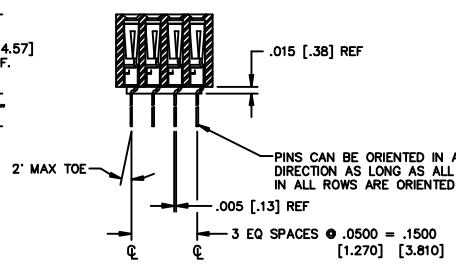


DO NOT SCALE FROM THIS PRINT



SECT "A-A"



SECT "B-B"

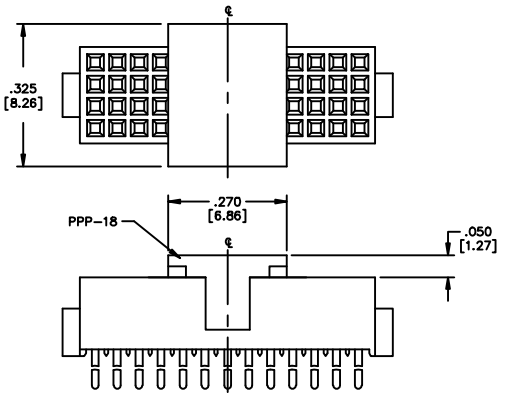
- FOLC-1XX-XX-XX-Q-XX-X
- No. OF POSITIONS
-05 THRU -50
 - LEAD STYLE
 - 01: THROUGH HOLE
USE: C-44-03-XX
 - L1: THROUGH HOLE (LOW INSERTION)
USE: C-61-03-XX
 - 04: THROUGH HOLE
USE: C-44-04-XX
 - L4: THROUGH HOLE (LOW INSERTION)
USE: C-61-04-XX
 - OPTION 2
-P: PICK & PLACE PAD (USE PPP-18) (SEE FIGURE 2)
 - OPTION 1
-LC: LOCKING CLIP (USE (2) LC-09-TM) (SEE FIGURE 1)
 - BODY SPECIFICATION
-Q: FOUR ROW
 - PLATING SPECIFICATIONS
 - S: SELECTIVE (USE C-XX-XX-S)
 - P: SELECTIVE, GOLD FLASHED PALLADIUM NICKEL WITH TIN ON THE TAIL (USE C-XX-XX-P)
 - SM: HEAVY GOLD SELECTIVE, MATTE TIN TAIL (USE C-XX-XX-S)
 - L: LIGHT SELECTIVE, MATTE TIN TAIL (USE C-XX-XX-L)

TABLE	
SUFFIX	"A"
-01	.075 [1.91]
-L1	.075 [1.91]
-04	.120 [3.05]
-L4	.120 [3.05]

PACKAGING		
OPTION	TUBE	PLUG
-L1-P/-01-P	PT-1-24-06-29	TP-03
-L4-P/-04-P	PT-1-24-01-127	TP-03
-L1/-01-ALL OTHER OPTIONS NO OPTIONS	PT-1-24-01-38	TP-09
-L4/-04-ALL OTHER OPTIONS NO OPTIONS	PT-1-24-02-38	TP-03

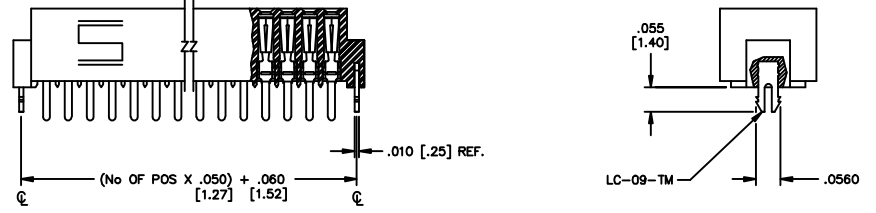
- NOTES:
- 1.) MIN. PUSHOUT FORCE: .5 lbs.
 - 2.) Ⓢ REPRESENTS A CRITICAL DIMENSION.

FIGURE 2
-P: PICK AND PLACE PAD
PLACE PPP-18 ABOUT C.L. AS SHOWN.



PROPRIETARY NOTE
THIS DOCUMENT CONTAINS INFORMATION CONFIDENTIAL AND PROPRIETARY TO SAMTEC INC. AND SHALL NOT BE REPRODUCED OR TRANSMITTED IN ANY FORM OR BY ANY MEANS, ELECTRONIC OR MECHANICAL, INCLUDING PHOTOCOPYING, RECORDING, OR BY ANY INFORMATION STORAGE AND RETRIEVAL SYSTEM, WITHOUT THE EXPRESS WRITTEN CONSENT OF SAMTEC INC.

FIGURE 1
-LC OPTION
DIFFERENT AS SHOWN, OTHERWISE SAME AS FIGURE 1



MATERIAL:
INSULATOR:
BLACK LIQUID CRYSTAL POLYMER
TERMINAL:
BeCu

samtec

520 PARK EAST BLVD. NEW ALBANY, INDIANA 47150
PHONE (812) 944-6733 P.O. BOX 1147
CODE 55322

MADE BY: GREG REINDING 2-17-93

FOLC-1XX-XX-XX-Q-XX-X