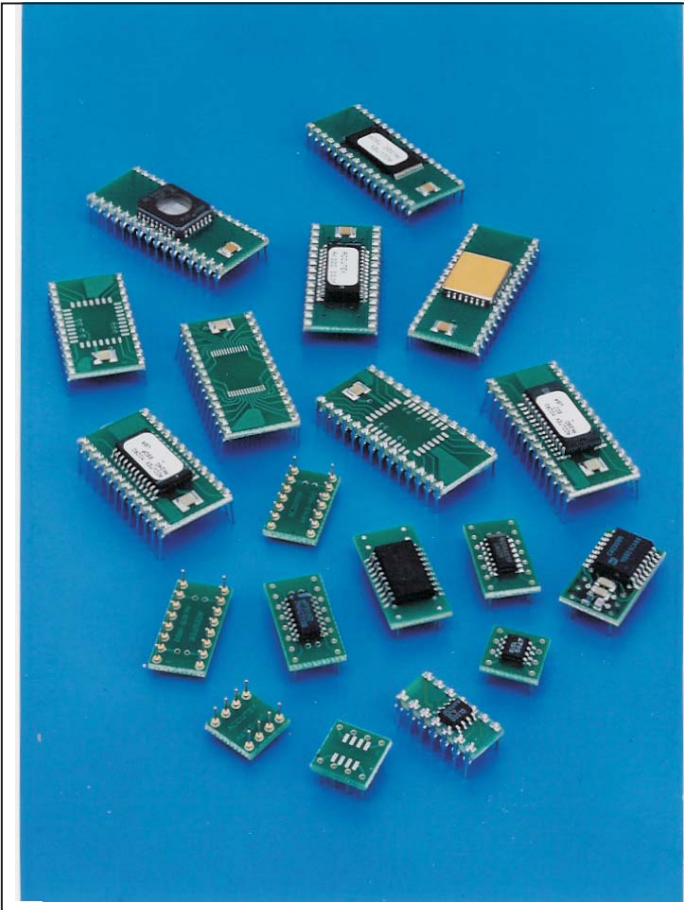


Accutek Microcircuit Corporation

28 Pin to 32 Pin DIP Adapters

DIP ADAPTER MODULES ELIMINATE THE NEED TO REDESIGN MOTHERBOARDS OR MAY BE USED FOR BREADBOARD PROTOTYPING



This new family of Accutek DIP Adapter Modules converts surface mount IC's to pin compatible DIP packages for creating drop-in replacements for end-of-life DIP IC's. Package types supported are: SOJ, PLCC, SOIC, SOP, TSOP, QSOP, HSOP, MSOP, LLP (Leadless Leadframe Package), CSP (Chip Scale Package) and CLCC.

These DIP Adapters were developed for users with motherboard designs that require DIP's, now obsolete by manufacturers. These adapter modules save costly motherboard redesigns.

Available with machined or flat contact pins. Accutek DIP Adapter Modules feature 4 to 84 pins, are fully assembled and tested and may include a decoupling capacitor. These DIP Adapters can be manufactured turnkey or from customer supplied surface mount chips. Modules range in length from 0.200" to 4.200" depending on number of pins and incorporate 0.300", 0.400", 0.600", 0.900", 1.200" and 1.400" row-to-row spacing with 0.100" lead spacing.

Custom configurations up to 200 pins, multi-chip and double sided modules are also available for special functions. A variety of pin lengths with varying diameters as well as custom sizes and spacing can be specified with different materials and finishes. All modules are designed in-house using PCB CAD workstations. Automated assembly and 100% testing are also performed in-house.

FEATURES

- Saves costly redesign of current motherboards
- Fully tested with lifetime limited warranty
- May include an on board decoupling capacitor
- IC assembly and testing available
- EPROM and Flash programming available
- Custom lead lengths available
- Custom multi-chip and double-sided modules available

ORDERING OPTIONS

- Adapter only
- Customer supplies chips - Accutek assembles on Accutek adapters, tests and delivers finished product in antistatic tubes.
- Complete turnkey - Accutek purchases IC's and passives. Then assembles, tests and delivers finished product in antistatic tubes.



ACCUTEK MICROCIRCUIT CORPORATION

BUSINESS CENTER at NEWBURYPORT

2 NEW PASTURE ROAD, SUITE 1

NEWBURYPORT, MA 01950-4054

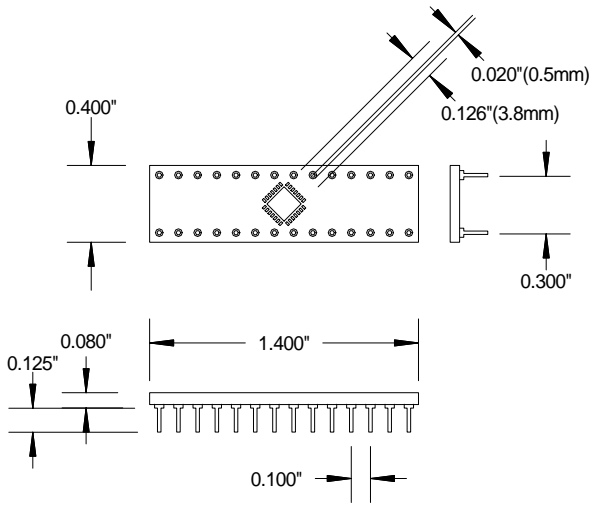
PHONE: 978-465-6200

FAX: 978-462-3396

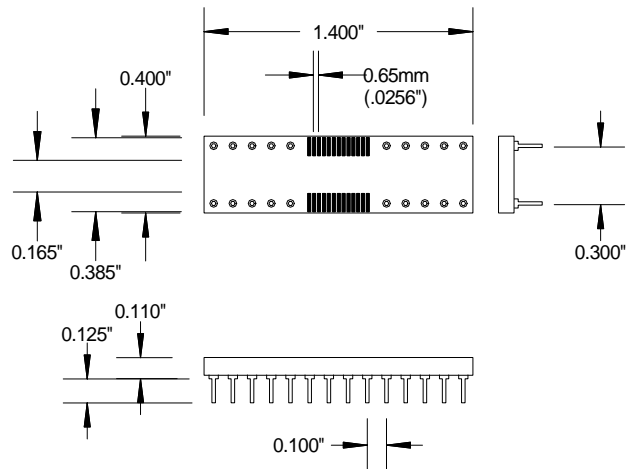
E-Mail: sales@accutekmicro.com

Internet: www.accutekmicro.com

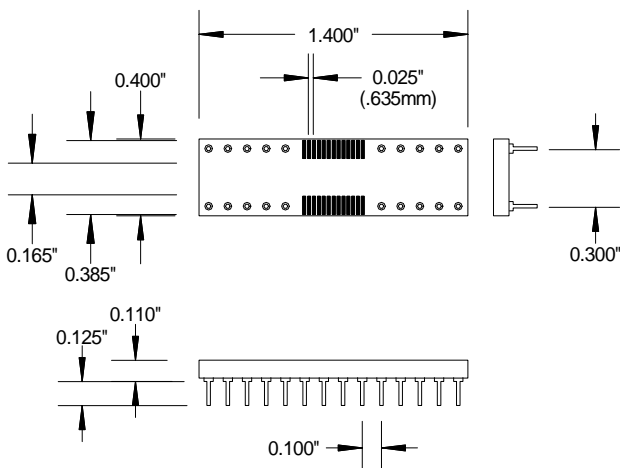
AK28D-LLP
LEADLESS LEADFRAME PACKAGE(5 X 5)
TO 28 PIN DIP



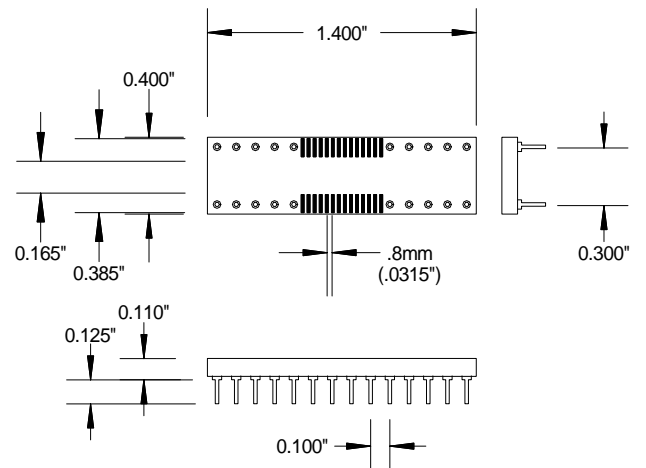
AK28D300-TSOP
28 PIN TSOP & SSOP 0.65mm PITCH TO DIP



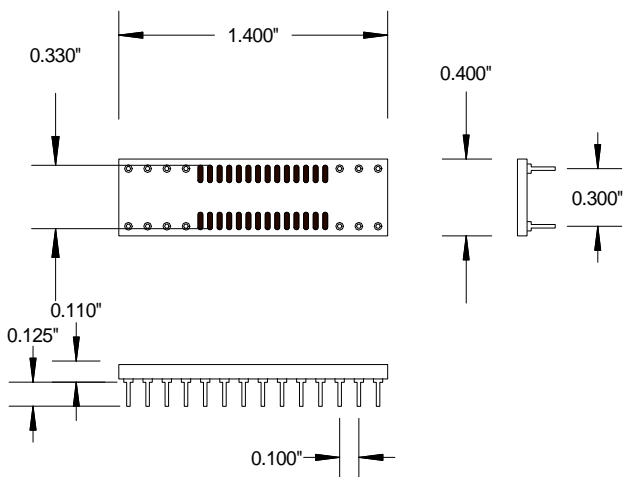
AK28D300-QSOP
28 PIN QSOP 0.025" PITCH TO DIP



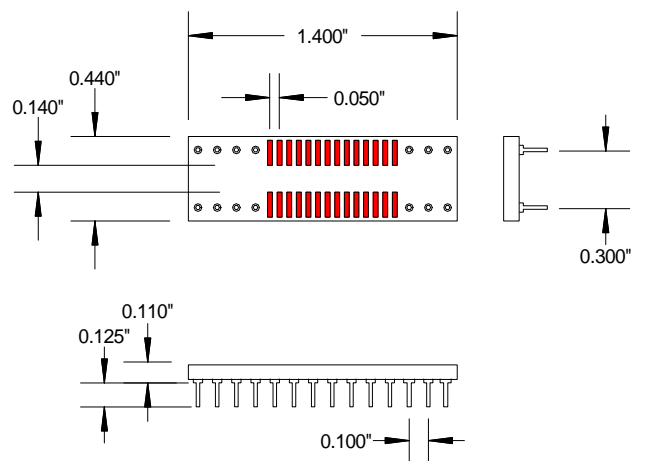
AK28D300-SSOP .8mm
28 PIN SSOP 0.8mm PITCH TO DIP

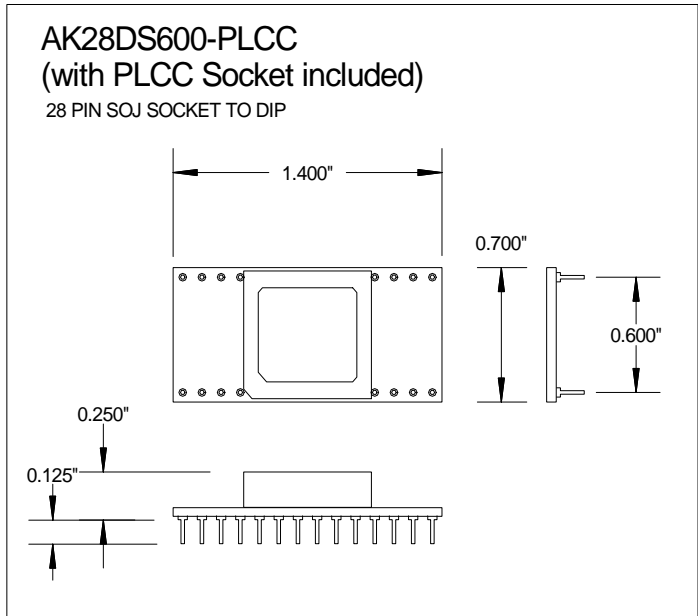
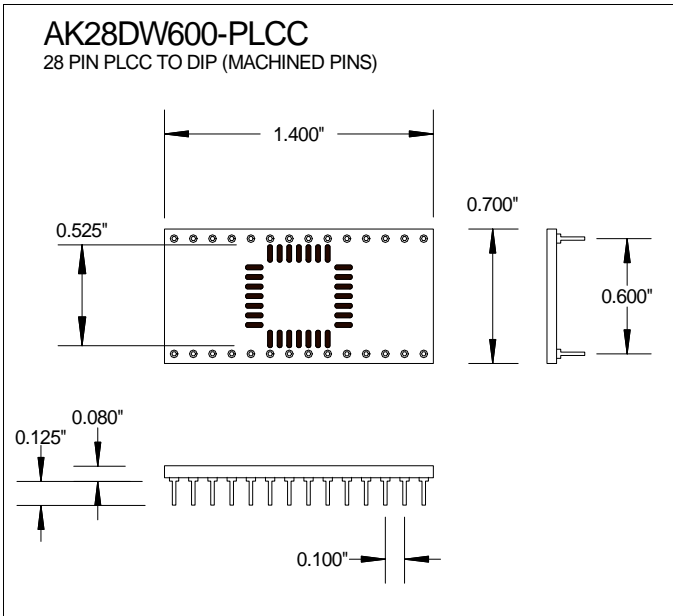
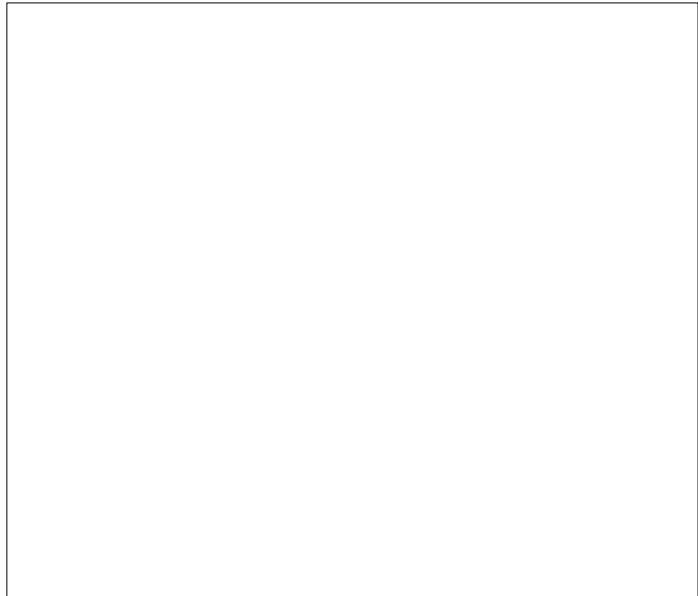
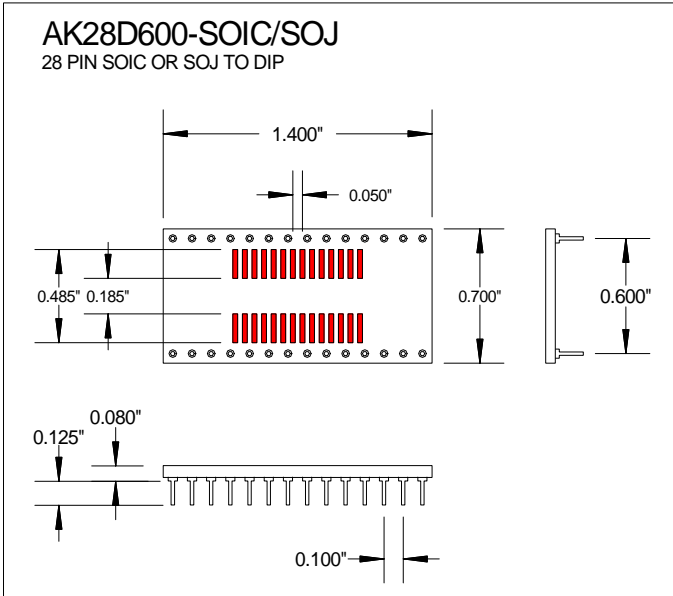
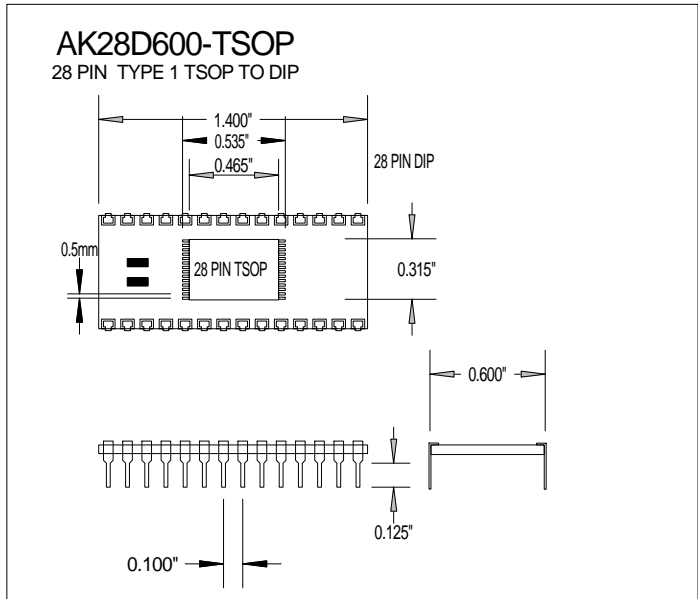
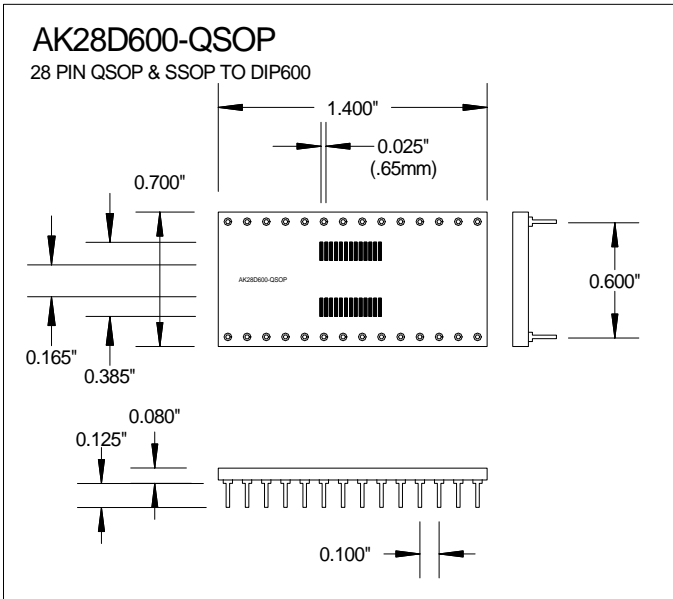


AK28D300-SOJ
28 PIN SOJ TO .300" DIP



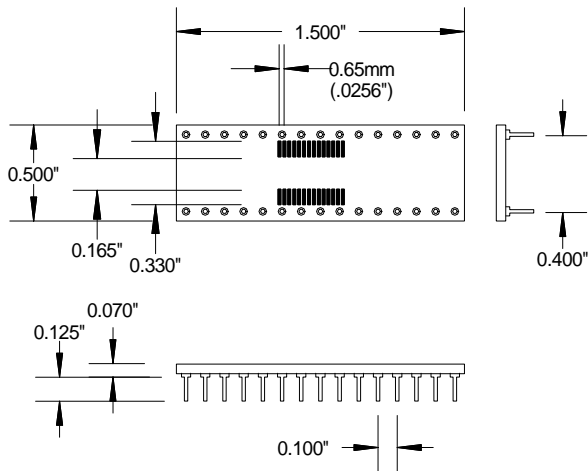
AK28D300-SOIC
28 PIN SOIC TO DIP





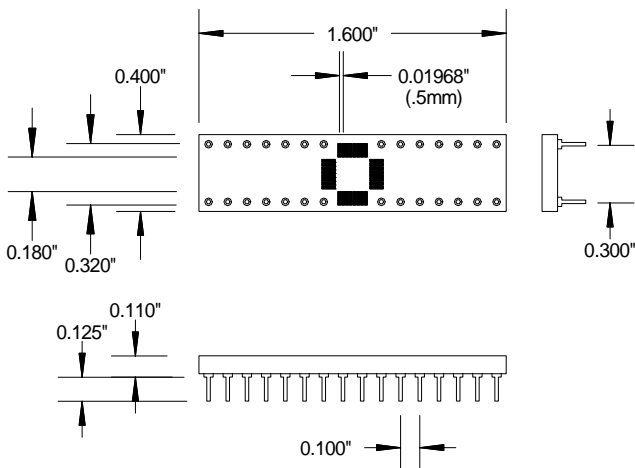
AK30D400-SSOP

30 PIN SSOP & TSOP TO DIP



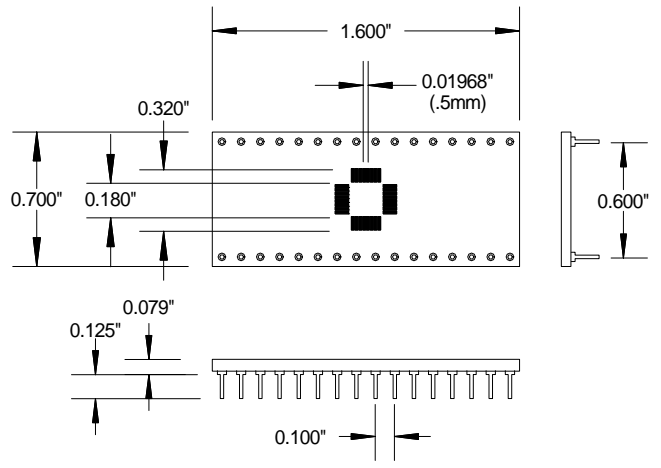
AK32D300-QFP5X5

32 PIN QFP 5x5mm TO DIP300



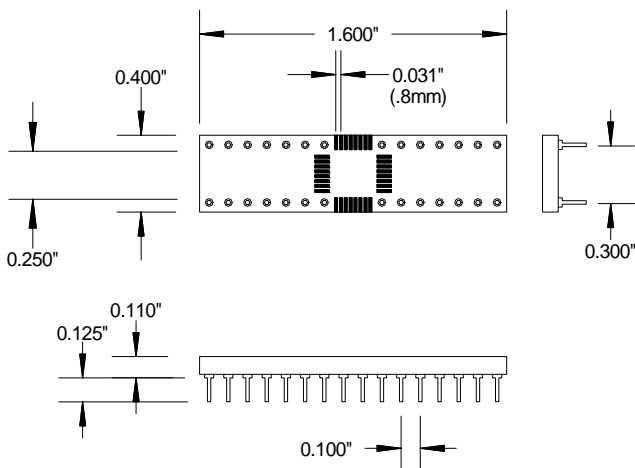
AK32D600-QFP5X5

32 PIN QFP 5x5mm TO DIP600



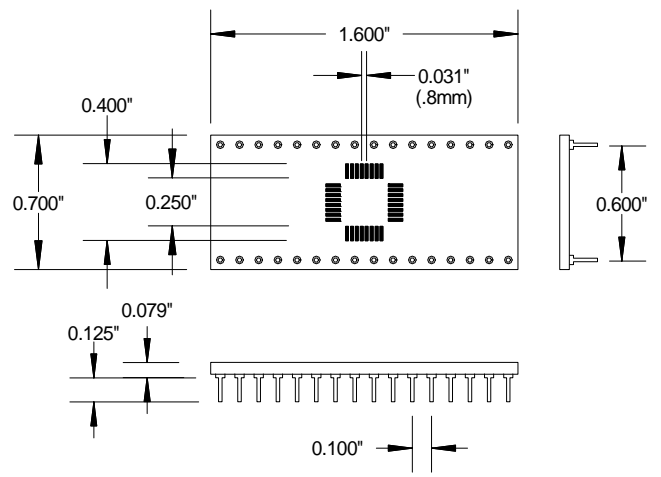
AK32D300-QFP7X7

32 PIN QFP 7x7mm TO DIP300



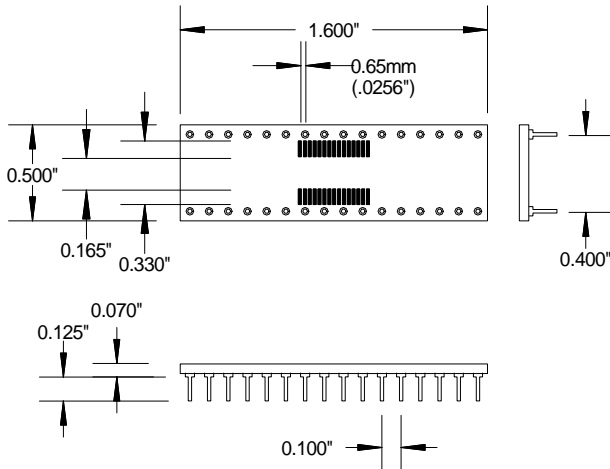
AK32D600-QFP7X7

32 PIN QFP 7x7mm TO DIP600



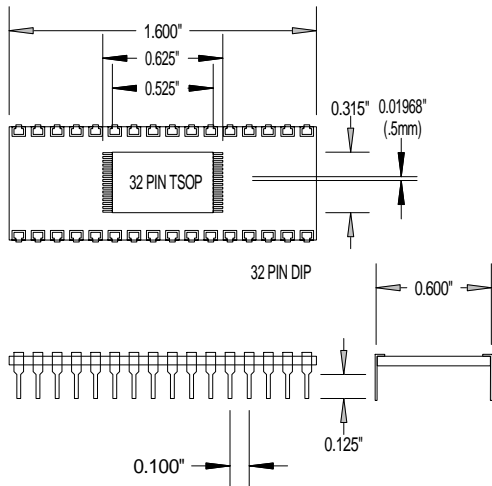
AK32D400-SSOP

32 PIN SSOP & TSOP TO DIP



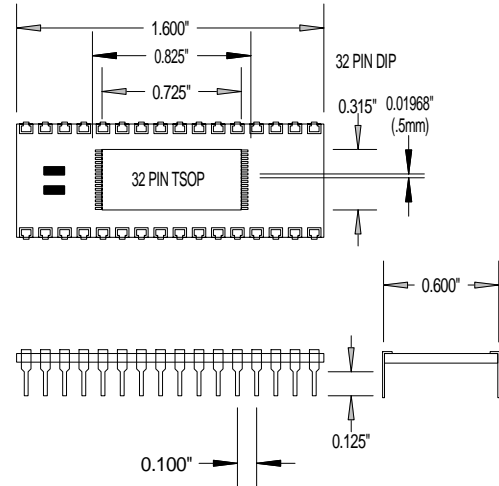
AK32D600-NTSOP

32 PIN TYPE 1 NARROW TSOP TO DIP



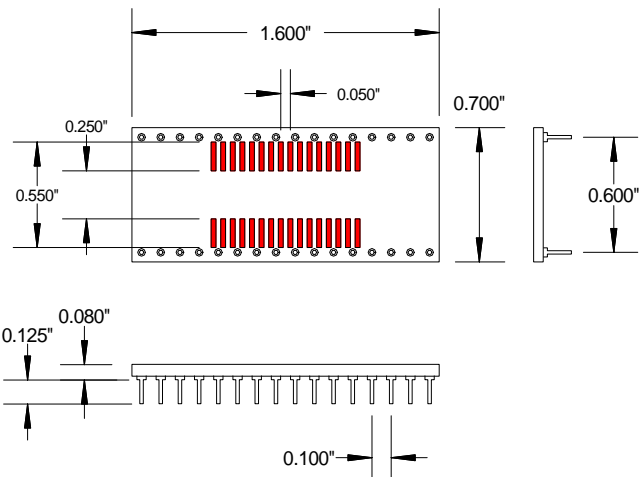
AK32D600-TSOP

32 PIN TYPE 1 WIDE TSOP TO DIP



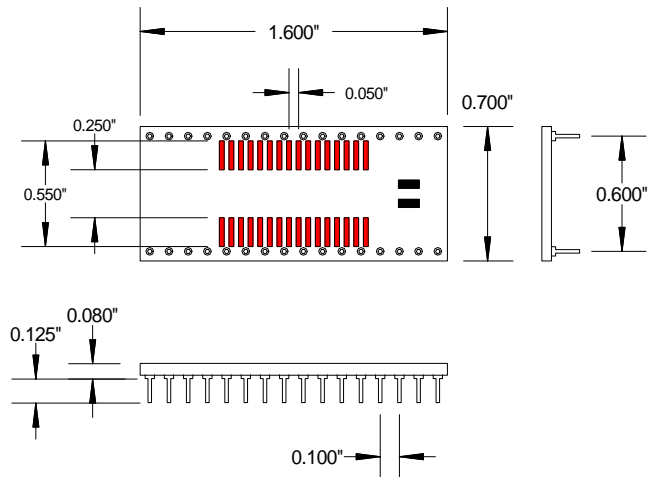
AK32D600-SOIC-G

32 PIN SOIC TO DIP



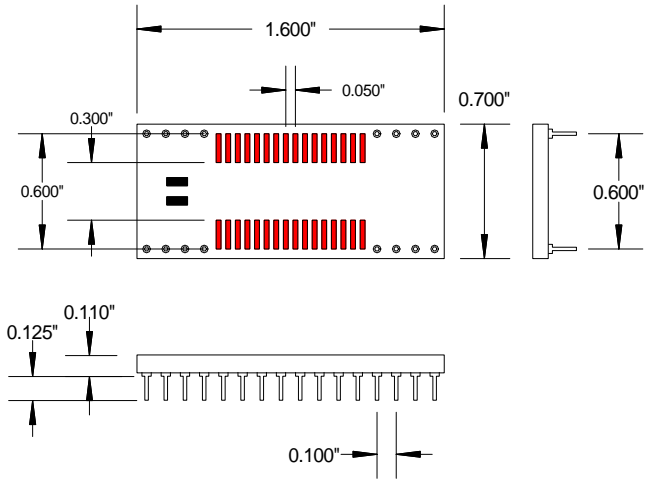
AK32D600-SOIC

32 PIN SOIC OR TSOP2 TO DIP
FOR 512K x 8 SRAM



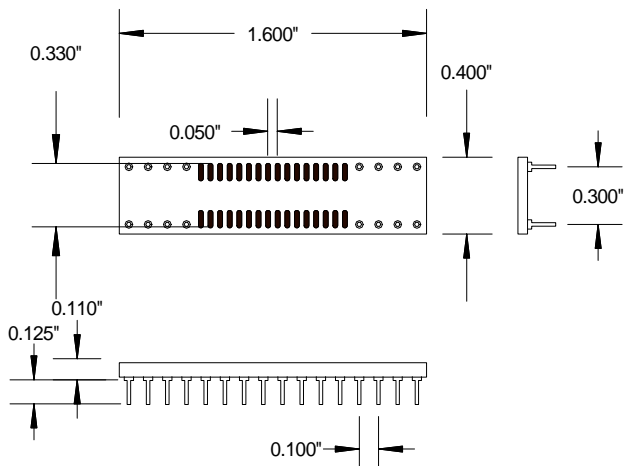
AK68128-512-D32

32 PIN SOIC TO DIP
FOR 128K x 8 SRAM



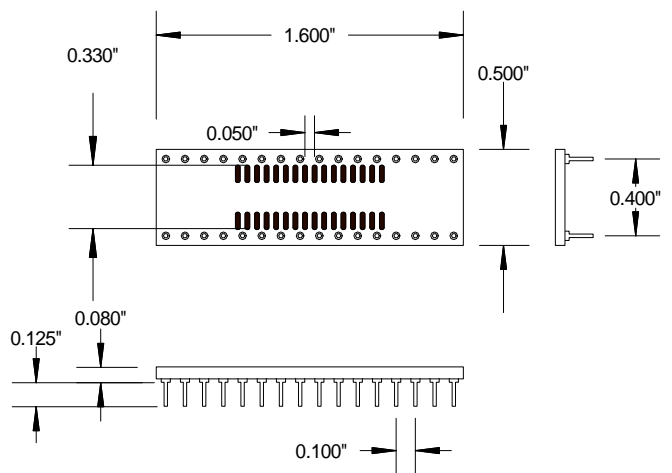
AK32D300-S0J

32 PIN SOJ TO .300" DIP



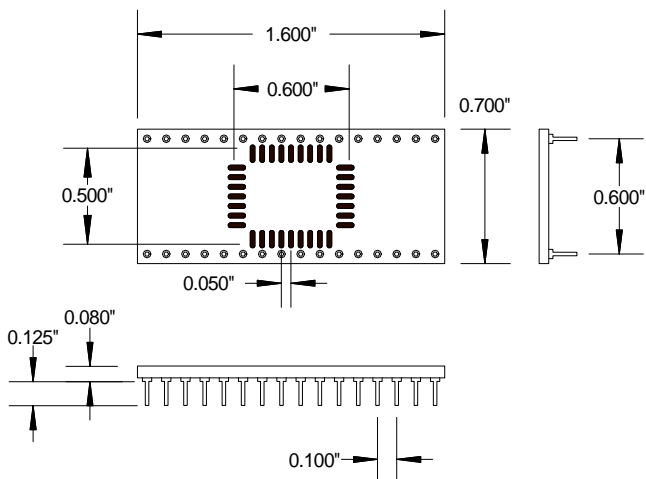
AK32D400-S0J

32 PIN SOJ TO .400" DIP



AK32DW600-PLCC

32 PIN PLCC TO DIP (MACHINED PINS)



AK32DS600-PLCC

(with PLCC Socket included)

32 PIN SOJ SOCKET TO DIP

