



MICROPROCESSOR CRYSTALS

AT49 (HC49US) LOW PROFILE, CASE GROUNDED SURFACE - MOUNT

# ABSM6

### FEATURES:

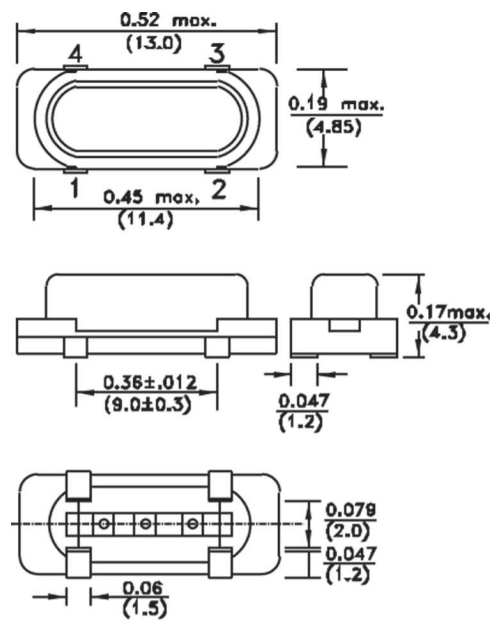
- Excellent all-purpose surface-mount crystal.
- Tight stability and extended temperature.
- Reflow capable.
- High reliability, Low cost.
- Four-pad land pattern with rear pads grounded.

### APPLICATIONS:

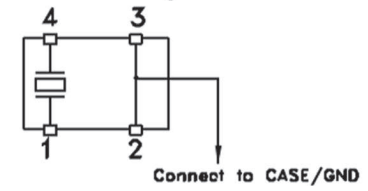
- General purpose on all microprocessors
- Computers, modems, communications.
- Automotive and industrial.
- Low EMI application, noise reduction.

## STANDARD SPECIFICATIONS

Frequency Range	<b>3.579545 MHz - 75.00 MHz</b>
Operation Mode	3.579 MHz - 25.0 MHz (Fundamental) 25.01 MHz - 42.0 MHz Fund. AT or BT 25.01 MHz - 75MHz 3rd Overtone
Operating Temperature	-10°C to +70°C (See Options)
Storage Temperature	-40° to +85° C
Frequency Tolerance @ 25°C	± 50 ppm max. (See Options)
Frequency Stability over Temp.	± 50 ppm max. (See Options)**
Equivalent Series Resistance (ESR)	200 Wmax. for 3.579545 MHz - 4.999 MHz 150 Wmax. for 5.000 MHz - 5.999 MHz 120 Wmax. for 6.000 MHz - 7.999 MHz
Fundamental	90 Wmax. for 8.000 MHz - 8.999 MHz 80 Wmax. for 9.000 MHz - 9.999 MHz 70 Wmax. for 10.000 MHz - 14.999 MHz 60 Wmax. for 15.000 MHz - 15.999 MHz 50 Wmax. for 16.00 MHz - 25.00 MHz
Fundamental AT or BT	40 Wmax. for 25.01 MHz - 42.00 MHz
3rd Overtone	100 Wmax. for 25.01 MHz - 75.00 MHz
Shunt Capacitance C <sub>0</sub>	7 pF max.
Load Capacitance C <sub>L</sub>	18 pF (See Options)
Drive Level	1 mW max., 100 mW correlation
Aging @ 25°C per Year	± 5 ppm max.
Insulation Resistance	500 M W min. at 100 Vdc ± 15V



Electrode arrangement



Dimensions: Inches (mm)

Please see environmental, and mechanical specifications Group 1.  
Tape and Reel (1,000 pcs/reel).

## ORDERING OPTIONS

ABSM6 - Frequency - CL - ESR - Temperature - Tolerance - Stability - Mode - Packaging

XX.XXXX MHz

Load cap. in pF or -S for Series

RXXX (value in Vy)

-A for -10°C to +60°C  
-B for -20°C to +70°C  
-C for -30°C to +70°C  
-N for -30°C to +85°C  
-D for -40°C to +85°C

-H5 for ± 5 ppm(\*)  
-1 for ± 10 ppm  
-7 for ± 15 ppm  
-2 for ± 20 ppm  
-3 for ± 25 ppm  
-4 for ± 30 ppm

-R5 for ± 5 ppm(\*)  
-U for ± 10 ppm  
-X for ± 20 ppm  
-W for ± 25 ppm  
-Y for ± 30 ppm  
-H for ± 35 ppm  
-Z for ± 50 ppm

- T (Tape & Reel)

-F (Fundamental AT > 25 MHz)  
-FB (Fundamental BT > 25 MHz)

(\*) Please call for availability.  
(\*\*) BT cut ±100ppm max. -10°C to +60°C



NOTE: Left blank if standard • All specifications and markings subject to change without notice

29 Journey • Aliso Viejo, CA 92656 • USA  
(949) 448-7070 • Fax: (949) 448-8484

E-MAIL: [abinfo@abracon.com](mailto:abinfo@abracon.com) • INTERNET ADDRESS: [www.abracon.com](http://www.abracon.com)

