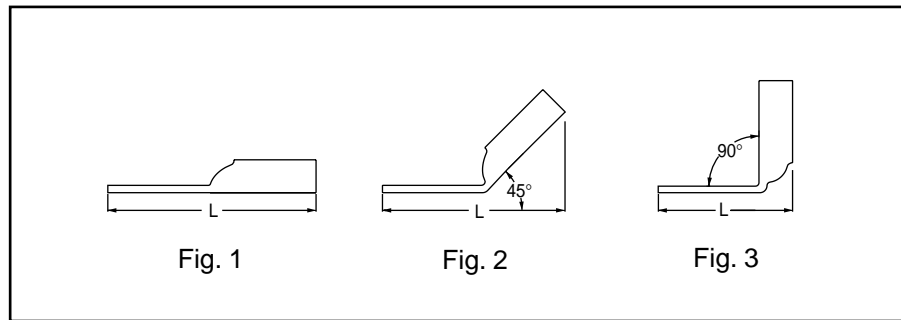
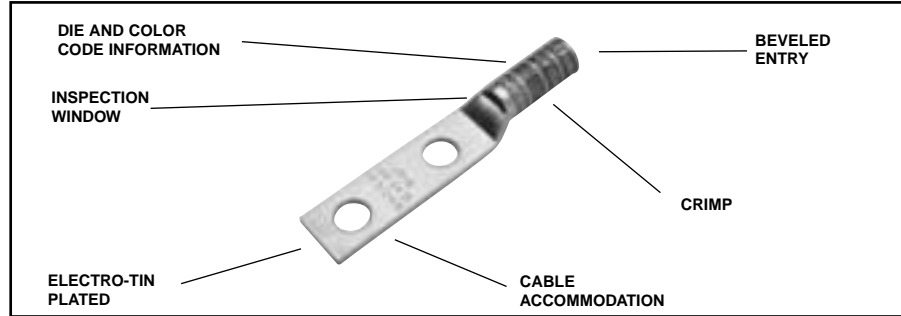




TWO HOLE HYLUG™ CODE CONDUCTOR LONG BARREL WITH INSPECTION WINDOW

TYPES YAZ-2N, YAZ-2TC

UL LISTED 90°C,
600 VOLT TO 35 KV ♦

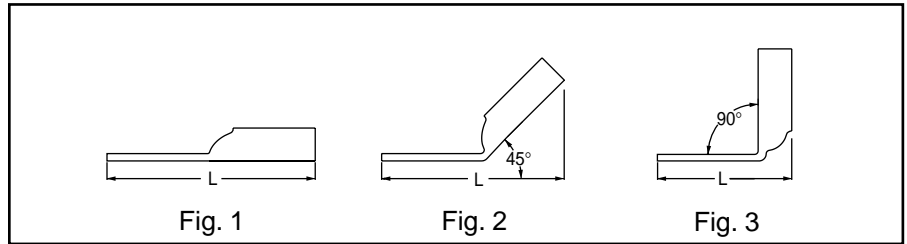


Catalog Number	Fig #	Conductor		Stud Hole Size	Stud Hole Spacing	Tongue Width	L	Tongue Angle	Installation Tooling				WIRE STRIP LENGTH		
		AWG	*** MM ²						Mechanical		Hydraulic			COLOR CODE	DIE INDEX
									Y1MRTC	MD7-34R	BCT500 Y500CT	Y750-2/Y46C* BAT-750C			
YAZV10-2TC14	1	14-10 AWG	6	1/4"	5/8"	.41"	2.16"	Straight	-	-	-	-	-	-	3/4"
YAZV10-2TC14-45	2						2.03"	45 Degree							
YAZV10-2TC14-90	3						1.45"	90 Degree							
YAZV10-2TC14E2	1			1/4"	3/4"	.41"	2.28"	Straight							
YAZV10-2TC14E2-45	2			2.16"	45 Degree										
YAZV10-2TC14E2-90	3			1.58"	90 Degree										
YAZ8C-2TC10	1	#8 STR	10	#10	5/8"	.41"	2.20"	Straight	Y2MR (2) Y1MRTC (2)	W8CVT (2) W8CRT (2) X8CRT (2)	W8CVT (2) W8CRT (2) X8CRT (2)	U8CRT (2)	Red	49	7/8"
YAZ8C-2TC10-45	2						2.09"	45 Degree							
YAZ8C-2TC10-90	3						1.37"	90 Degree							
YAZ8C-2TC10E2	1			1/4"	3/4"	.44"	2.33"	Straight							
YAZ8C-2TC10E2-45	2			2.22"	45 Degree										
YAZ8C-2TC10E2-90	3			1.50"	90 Degree										
YAZ8C-2TC14	1			1/4"	5/8"	.44"	2.33"	Straight							
YAZ8C-2TC14-45	2			2.20"	45 Degree										
YAZ8C-2TC14-90	3			1.49"	90 Degree										
YAZ8C-2TC14E2	1			1/4"	3/4"	.44"	2.45"	Straight							
YAZ8C-2TC14E2-45	2			2.33"	45 Degree										
YAZ8C-2TC14E2-90	3			1.62"	90 Degree										
YAZ8C-2TC14E1	1	1/4"	1"	.44"	2.70"	Straight									
YAZ8C-2TC14E1-45	2	2.58"	45 Degree												
YAZ8C-2TC14E1-90	3	1.87"	90 Degree												
YAZ8C-2TC38	1	3/8"	1"	.58"	2.89"	Straight									
YAZ8C-2TC38-45	2				2.72"	45 Degree									
YAZ8C-2TC38-90	3				2.05"	90 Degree									
YAZ6C-2N	1	#6 AWG	16	1/2"	1-3/4"	.83"	4.40"	Straight	Y2MR (2) Y1MRTC (2)	W5CVT (2) W5CRT (2) X5CRT (2) X8CART (2)	W5CVT (2) X5CRT (2) X5CRT (2) X8CART (2)	U5CRT (2) U8CABT (2)	Blue	7 or 374	1-1/16"
YAZ6C-2N-45	2						4.29"	45 Degree							
YAZ6C-2N-90	3						3.28"	90 Degree							
YAZ6C-2TC10E2	1			1/2"	3/4"	.42"	2.65"	Straight							
YAZ6C-2TC10E2-45	2			2.48"	45 Degree										
YAZ6C-2TC10E2-90	3			1.51"	90 Degree										

* Use P-UADP-1 adaptor with "U" -dies in Y46 HYPRESS™.
 ** P-RT die sets for use in Y46 HYPRESS™ only, P-UADP-1 adaptor not required.
 *** The MM² conductor sizes listed are the recommendations for Class 2 conductor.
 * Available undrilled. Add suffix "U" to catalog number. (Example: YA25U).
 ▲ See tooling section of this catalog for complete tool and die listings.
 ♦ For applications greater than 2000 Volts consult cable manufacturer for voltage stress relief instructions.



TWO HOLE HYLUG™ CODE CONDUCTOR LONG BARREL WITH INSPECTION WINDOW (CONTINUED)



Catalog Number	Fig #	Conductor		Stud Hole Size	Stud Hole Spacing	Tongue Width	L	Tongue Angle	Installation Tooling						WIRE STRIP LENGTH									
		AWG	MM ²						Mechanical		Hydraulic		COLOR CODE	DIE INDEX										
									Y1MRTC Y2MR	MD7-34R	BCT500 Y500CT	Y750-2/Y46C* BAT-750C												
YAZ6C-2TC14	1	#6 AWG	16	1/4"	5/8"	.45"	2.65"	Straight	Y2MR (2) Y1MRTC (2)	W5CVT (2) W5CRT (2) X5CRT (2) X8CART (2)	W5CVT (2) X5CRT (2) X5CRT (2) X8CART (2)	U5CRT (2) U8CABT (2)	Blue	7 or 374	1-1/16"									
YAZ6C-2TC14-45	2						2.45"	45 Degree																
YAZ6C-2TC14-90	3						1.51"	90 Degree																
YAZ6C-2TC14E2	1						2.78"	Straight																
YAZ6C-2TC14E2-45	2						2.58"	45 Degree																
YAZ6C-2TC14E2-90	3						1.63"	90 Degree																
YAZ6C-2TC14E1	1			3.03"	Straight																			
YAZ6C-2TC14E1-45	2			2.83"	45 Degree																			
YAZ6C-2TC14E1-90	3			1.63"	90 Degree																			
YAZ6C-2TC38E2	1			2.97"	Straight																			
YAZ6C-2TC38E2-45	2			2.72"	45 Degree																			
YAZ6C-2TC38E2-90	3			1.81"	90 Degree																			
YAZ6C-2TC38E6	1			3.09"	Straight																			
YAZ6C-2TC38E6-45	2			2.85"	45 Degree																			
YAZ6C-2TC38E6-90	3			1.94"	90 Degree																			
YAZ6C-2TC38	1			3.22"	Straight																			
YAZ6C-2TC38-45	2			2.97"	45 Degree																			
YAZ6C-2TC38-90	3			2.06"	90 Degree																			
YAZ5C-2N	1	#5 AWG	-	1/2"	1-3/4"	.83"	4.43"	Straight	Y2MR (2) Y1MRTC (2)	W5CRT (2) W5CVT (2) X5CRT (2)	W5CVT (2) W5CRT (2) X5CRT (2)	U5CRT (2)	Blue	7 or 374	1/16"									
YAZ5C-2N-45	2						4.31"	45 Degree																
YAZ5C-2N-90	3						3.28"	90 Degree																
YAZ4C-2N	1	#4 AWG	-	1/2"	1-3/4"	.83"	4.42"	Straight	Y2MR (4) Y1MRTC (4)	W4CVT (2) W4CRT (2) X4CRT (2)	W4CVT (2) W4CRT (2) X4CRT (2)	U4CRT (2) U6CABT (2)	Gray	8 or 346	1-1/16"									
YAZ4C-2N-45	2						4.30"	45 Degree																
YAZ4C-2N-90	3						3.30"	90 Degree																
YAZ4C-2TC10-E2	1						2.67"	Straight																
YAZ4C-2TC10-E245	2						2.49"	45 Degree																
YAZ4C-2TC10-E290	3						1.54"	90 Degree																
YAZ4C-2TC14	1			2.67"	Straight																			
YAZ4C-2TC14-45	2			2.49"	45 Degree																			
YAZ4C-2TC14-90	3			1.54"	90 Degree																			
YAZ4C-2TC14E2	1			2.80"	Straight																			
YAZ4C-2TC14E2-45	2			2.61"	45 Degree																			
YAZ4C-2TC14E2-90	3			1.66"	90 Degree																			
YAZ4C-2TC38	1			3.23"	Straight																			
YAZ4C-2TC38-45	2			3.01"	45 Degree																			
YAZ4C-2TC38-90	3			2.09"	90 Degree																			
YAZ3C-2N	1			#3 AWG	25	1/2"	1-3/4"	.83"								4.58"	Straight	Y1MRTC (4)	W3CRT (2)	W3CRT (2)	U3CRT (2)	White	9	1-5/16"
YAZ3C-2N-45	2															4.41"	45 Degree							
YAZ3C-2N-90	3															3.32"	90 Degree							
YAZ3C-2TC14	1	2.83"	Straight																					
YAZ3C-2TC14-45	2	2.59"	45 Degree																					
YAZ3C-2TC14-90	3	1.55"	90 Degree																					
YAZ3C-2TC14E2	1	2.95"	Straight																					
YAZ3C-2TC14E2-45	2	2.72"	45 Degree																					
YAZ3C-2TC14E2-90	3	1.68"	90 Degree																					
YAZ3C-2TC38E2	1	3.14"	Straight																					
YAZ3C-2TC38E2-45	2	2.88"	45 Degree																					
YAZ3C-2TC38E2-90	3	1.86"	90 Degree																					

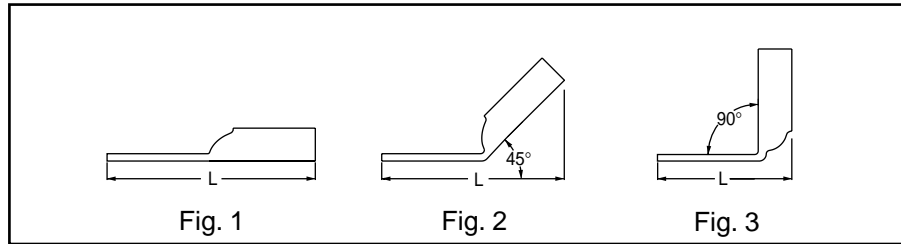
* Use P-UADP-1 adaptor with "U" dies in Y46 HYPRESS™.
 ** P-RT die sets for use in Y46 HYPRESS™ only, P-UADP-1 adaptor not required.
 *** The MM² conductor sizes listed are the recommendations for Class 2 conductor.

" Available undrilled. Add suffix "U" to catalog number. (Example: YA25U).
 ▲ See tooling section of this catalog for complete tool and die listings.

◆ For applications greater than 2000 Volts consult cable manufacturer for voltage stress relief instructions.



TWO HOLE HYLUG™ CODE CONDUCTOR LONG BARREL WITH INSPECTION WINDOW (CONTINUED)



Catalog Number	Fig #	Conductor		Stud Hole Size	Stud Hole Spacing	Tongue Width	L	Tongue Angle	Installation Tooling						WIRE STRIP LENGTH			
		AWG	*** MM²						Mechanical		Hydraulic		COLOR CODE	DIE INDEX				
									Y1MRTC Y2MR	MD7-34R	BCT500 Y500CT	Y750-2/Y46C* BAT-750C						
YAZ3C-2TC38	1	#3 AWG #2 SOL	25	3/8"	1"	.58"	3.39"	Straight	Y1MRTC (4)	W3CRT (2)	W3CRT (2)	U3CRT (2)	White	9	1-5/16"			
YAZ3C-2TC38-45	2						3.13"	45 Degree										
YAZ3C-2TC38-90	3						2.11"	90 Degree										
YAZ2C-2N	1	#2 AWG	35	1/2"	1-3/4"	.83"	4.60"	Straight	Y2MR (4) Y1MRTC (4)	W2CVT (2) W2CRT (2) X2CRT (2)	W2CVT (2) W2CRT (2) X2CRT (2)	U2CRT (2)	Brown	10	1-5/16"			
YAZ2C-2N-45	2						4.32"	45 Degree										
YAZ2C-2N-90	3						3.32"	90 Degree										
YAZ2C-2TC10E2	1						#10	3/4"								.60"	2.85"	Straight
YAZ2C-2TC10E2-45	2																2.65"	45 Degree
YAZ2C-2TC10E2-90	3																1.58"	90 Degree
YAZ2C-2TC14	1			1/4"	5/8"	.60"	2.85"	Straight										
YAZ2C-2TC14-45	2						2.65"	45 Degree										
YAZ2C-2TC14-90	3						1.58"	90 Degree										
YAZ2C-2TC14E2	1			1/4"	3/4"	.60"	2.97"	Straight										
YAZ2C-2TC14E2-45	2						2.77"	45 Degree										
YAZ2C-2TC14E2-90	3						1.71"	90 Degree										
YAZ2C-2TC14E1	1			1/4"	1"	.60"	3.22"	Straight										
YAZ2C-2TC14E1-45	2						3.02"	45 Degree										
YAZ2C-2TC14E1-90	3						1.96"	90 Degree										
YAZ2C-2TC516E2	1			5/16"	3/4"	.60"	3.03"	Straight										
YAZ2C-2TC516E2-45	2						2.84"	45 Degree										
YAZ2C-2TC516E2-90	3						1.77"	90 Degree										
YAZ2C-2TC38E2	1			3/8"	3/4"	.60"	3.16"	Straight										
YAZ2C-2TC38E2-45	2						2.96"	45 Degree										
YAZ2C-2TC38E2-90	3						1.90"	90 Degree										
YAZ2C-2TC38E6	1			3/8"	7/8"	.60"	3.28"	Straight										
YAZ2C-2TC38E6-45	2						3.09"	45 Degree										
YAZ2C-2TC38E6-90	3						2.02"	90 Degree										
YAZ2C-2TC38	1	3/8"	1"	.60"	3.41"	Straight												
YAZ2C-2TC38-45	2				3.21"	45 Degree												
YAZ2C-2TC38-90	3				2.14"	90 Degree												
YAZ2C-2NTC38	1	3/8"	1-3/4"	.60"	4.16"	Straight												
YAZ2C-2NTC38-45	2				3.96"	45 Degree												
YAZ2C-2NTC38-90	3				2.90"	90 Degree												
YAZ1C-2N	1	#1 AWG	50	1/2"	1-3/4"	.83"	4.76"	Straight	Y1MRTC (4)	W1CVT (2) W1CRT-1 (2) X1CRT-1 (2)	W1CVT (2) W1CRT-1 (2) X1CRT-1 (2)	U1CRT-1 (2) U4CABT (2)	Green	11 or 375	1-7/16"			
YAZ1C-2N-45	2						4.45"	45 Degree										
YAZ1C-2N-90	3						3.34"	90 Degree										
YAZ1C-2TC14	1			1/4"	5/8"	.67"	3.01"	Straight										
YAZ1C-2TC14-45	2						2.75"	45 Degree										
YAZ1C-2TC14-90	3						1.60"	90 Degree										
YAZ1C-2TC14E2	1			1/4"	3/4"	.67"	3.13"	Straight										
YAZ1C-2TC14E2-45	2						2.87"	45 Degree										
YAZ1C-2TC14E2-90	3						1.73"	90 Degree										
YAZ1C-2TC38	1			3/8"	1"	.67"	3.57"	Straight										
YAZ1C-2TC38-45	2						3.31"	45 Degree										
YAZ1C-2TC38-90	3						2.16"	90 Degree										
YAZ25-2N	1	1/0 AWG	-	1/2"	1-3/4"	.83"	4.79"	Straight	-	W25RT (4) W25VT (4) X25RT (4)	W25VT (4) X25RT (4) W25RT (4)	U25RT (2) U2CABT (2)	Pink	12 or 348	1-7/16"			
YAZ25-2N-45	2						4.52"	45 Degree										
YAZ25-2N-90	3						3.38"	90 Degree										

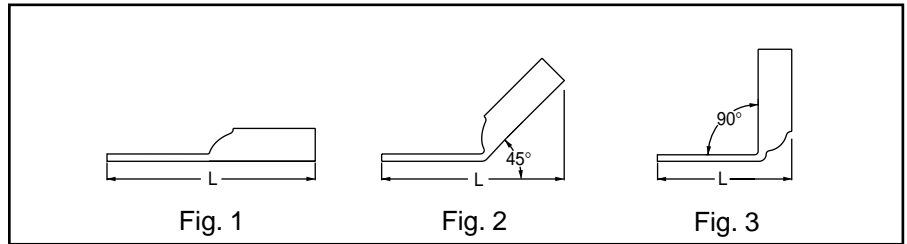
* Use P-UADP-1 adaptor with "U" -dies in Y46 HYPRESS™.
 ** P-RT die sets for use in Y46 HYPRESS™ only, P-UADP-1 adaptor not required.
 *** The MM² conductor sizes listed are the recommendations for Class 2 conductor.

" Available undrilled. Add suffix "U" to catalog number. (Example: YA25U).
 ▲ See tooling section of this catalog for complete tool and die listings.

◆ For applications greater than 2000 Volts consult cable manufacturer for voltage stress relief instructions.



TWO HOLE HYLUG™ CODE CONDUCTOR LONG BARREL WITH INSPECTION WINDOW (CONTINUED)



Catalog Number	Fig #	Conductor		Stud Hole Size	Stud Hole Spacing	Tongue Width	L	Tongue Angle	Installation Tooling						WIRE STRIP LENGTH									
		AWG	*** MM ²						Mechanical		Hydraulic		COLOR CODE	DIE INDEX										
									Y1MRTC Y2MR	MD7-34R	BCT500 Y500CT	Y750-2/Y46C* BAT-750C												
YAZ25-2TC14	1	1/0 AWG	-	1/4"	5/8"	.75"	3.04"	Straight	-	W25RT (4) W25VT (4) X25RT (4)	W25VT (4) W25RT (4) W25RT (4)	U25RT (2) U2CABT (2)	Pink	2 or 348	1-7/16"									
YAZ25-2TC14-45	2						2.81"	45 Degree																
YAZ25-2TC14-90	3						1.64"	90 Degree																
YAZ25-2TC14E2	1						3.16"	Straight																
YAZ25-2TC14E2-45	2			1/4"	3/4"	.75"	2.93"	45 Degree																
YAZ25-2TC14E2-90	3						1.76"	90 Degree																
YAZ25-2TC14E1	1						3.41"	Straight																
YAZ25-2TC14E1-45	2						3.18"	45 Degree																
YAZ25-2TC14E1-90	3			2.01"	90 Degree																			
YAZ25-2TC516E6	1			5/16"	7/8"	.75"	3.35"	Straight																
YAZ25-2TC516E6-45	2						3.12"	45 Degree																
YAZ25-2TC516E6-90	3						1.95"	90 Degree																
YAZ25-2TC516	1						3.47"	Straight																
YAZ25-2TC516-45	2			5/16"	1"	.75"	3.24"	45 Degree																
YAZ25-2TC516-90	3						2.08"	90 Degree																
YAZ25-2TC38	1						3.60"	Straight																
YAZ25-2TC38-45	2						3.37"	45 Degree																
YAZ25-2TC38-90	3			2.20"	90 Degree																			
YAZ25-2NTC38	1			3/8"	1"	.75"	4.35"	Straight																
YAZ25-2NTC38-45	2						4.12"	45 Degree																
YAZ25-2NTC38-90	3	2.95"	90 Degree																					
YAZ26-2N	1	2/0 AWG	70				1/2"	1 3/4"	.83"	4.95"	Straight	-	W26VT (4) W26RT (4) X26RT (4)	W26VT (4) W26RT (4) X26RT (4)	U26RT (2)	Black	13	1-9/16"						
YAZ26-2N-45	2			4.67"	45 Degree																			
YAZ26-2N-90	3			3.41"	90 Degree																			
YAZ26-2TC14	1			3.20"	Straight																			
YAZ26-2TC14-45	2			1/4"	5/8"	.83"	2.92"	45 Degree																
YAZ26-2TC14-90	3						1.66"	90 Degree																
YAZ26-2TC14E2	1						3.32"	Straight																
YAZ26-2TC14E2-45	2						3.05"	45 Degree																
YAZ26-2TC14E2-90	3			1.79"	90 Degree																			
YAZ26-2TC38	1			3/8"	1"	.83"	3.76"	Straight																
YAZ26-2TC38-45	2						3.48"	45 Degree																
YAZ26-2TC38-90	3						2.22"	90 Degree																
YAZ27-2N	1						3/0 AWG	95	1/2"	1-3/4"	.91"								4.98"	Straight	-	W27VT (4) W27RT (4) X27RT (6)	W27VT (4) W27RT (4) X27RT (6)	U27RT (2)
YAZ27-2N-45	2			4.71"	45 Degree																			
YAZ27-2N-90	3			3.44"	90 Degree																			
YAZ27-2TC14E2	1			3.36"	Straight																			
YAZ27-2TC14E2-45	2			1/4"	3/4"	.90"			3.08"	45 Degree														
YAZ27-2TC14E2-90	3								1.82"	90 Degree														
YAZ27-2TC38	1								3.80"	Straight														
YAZ27-2TC38-45	2								3.52"	45 Degree														
YAZ27-2TC38-90	3	2.25"	90 Degree																					
YAZ28-2N	1	4/0 AWG	-	1/2"	1-3/4"	1.02"			5.15"	Straight	-	W28VT (4) W28RT (4) X28RT (6)	W28VT (4) W28RT (4) X28RT (6)	U28RT (2)	Purple	15	1-11/16"							
YAZ28-2N-45	2								4.86"	45 Degree														
YAZ28-2N-90	3								3.48"	90 Degree														
YAZ28-2TC14E2	1								3.55"	Straight														
YAZ28-2TC14E2-45	2			1/4"	3/4"	1.02"			3.25"	45 Degree														
YAZ28-2TC14E2-90	3								1.86"	90 Degree														

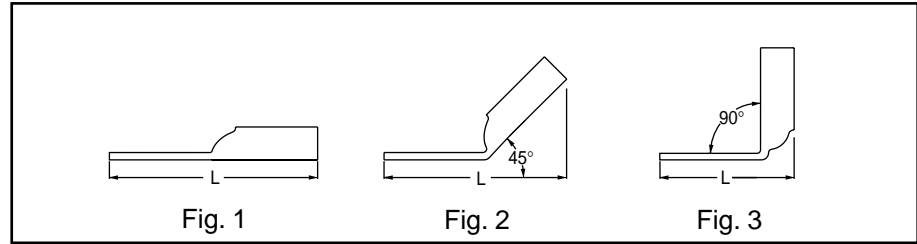
* Use P-UADP-1 adaptor with "U" -dies in Y46 HYPRESS™.
 ** P-RT die sets for use in Y46 HYPRESS™ only, P-UADP-1 adaptor not required.
 *** The MM² conductor sizes listed are the recommendations for Class 2 conductor.

" Available undrilled. Add suffix "U" to catalog number.
 (Example: YA25U).
 ▲ See tooling section of this catalog for complete tool and die listings.

◆ For applications greater than 2000 Volts consult cable manufacturer for voltage stress relief instructions.



TWO HOLE HYLUG™ CODE CONDUCTOR LONG BARREL WITH INSPECTION WINDOW (CONTINUED)



Catalog Number	Fig #	Conductor		Stud Hole Size	Stud Hole Spacing	Tongue Width	L	Tongue Angle	Installation Tooling						WIRE STRIP LENGTH									
		AWG	MM ²						Mechanical		Hydraulic		COLOR CODE	DIE INDEX										
									Y1MRTC Y2MR	MD7-34R	BCT500 Y500CT	Y750-2/Y46C* BAT-750C												
YAZ28-2TC38	1	4/0 AWG	-	3/8"	1"	1.02"	3.99"	Straight	-	W28VT (4) W28RT (4) X28RT (6)	W28VT (4) W28RT (4) X28RT (6)	U28RT (2)	Purple	15	1-11/16"									
YAZ28-2TC38-45	2						3.69"	45 Degree																
YAZ28-2TC38-90	3						2.30"	90 Degree																
YAZ28-2NTC38	1			3/8"	1-3/4"	1.02"	4.74"	Straight																
YAZ28-2NTC38-45	2						4.44"	45 Degree																
YAZ28-2NTC38-90	3						3.05"	90 Degree																
YAZ29-2N	1	250 kcmil	120	1/2"	1-3/4"	1.10"	5.18"	Straight	-	W29VT (4) X29RT (8)	X29RT (8) W29VT (4) W29RT (4)	U29RT (2)	Yellow	16	1-11/16"									
YAZ29-2N-45	2						4.92"	45 Degree																
YAZ29-2N-90	3						3.52"	90 Degree																
YAZ29-2TC38	1			3/8"	1"	1.10"	3.99"	Straight																
YAZ29-2TC38-45	2						3.73"	45 Degree																
YAZ29-2TC38-90	3						2.34"	90 Degree																
YAZ30-2N	1	300 kcmil	150	1/2"	1-3/4"	1.20"	5.60"	Straight	-	W30VT (4)	W30VT (4) W30RT (4)	U30RT (4) U28ART (4)	White	17 or 298	2-1/16"									
YAZ30-2N-45	2						5.23"	45 Degree																
YAZ30-2N-90	3						3.56"	90 Degree																
YAZ30-2TC38	1			3/8"	1"	1.20"	4.42"	Straight																
YAZ30-2TC38-45	2						4.04"	45 Degree																
YAZ30-2TC38-90	3						2.37"	90 Degree																
YAZ31-2N	1	350 kcmil	185	1/2"	1-3/4"	1.29"	5.64"	Straight	-	W31VT (4)	W31VT (4) W31RT (4)	U31RT (4) U29ART (4)	Red	18 or 324	2-1/16"									
YAZ31-2N-45	2						5.29"	45 Degree																
YAZ31-2N-90	3						3.60"	90 Degree																
YAZ31-2TC14E2	1			1/4"	3/4"	1.29"	4.02"	Straight																
YAZ31-2TC14E2-45	2						3.66"	45 Degree																
YAZ31-2TC14E2-90	3						1.97"	90 Degree																
YAZ31-2TC38	1	3/8"	1"	1.29"	4.45"	Straight																		
YAZ31-2TC38-45	2				4.10"	45 Degree																		
YAZ31-2TC38-90	3				2.41"	90 Degree																		
YAZ32-2N	1	400 kcmil	-	1/2"	1-3/4"	1.40"	5.81"	Straight	-	W32VT (4)	W32VT (4) W32RT (4)	U32RT (4) U30ART (4)	Blue	19 or 470	2/16"									
YAZ32-2N-45	2						5.44"	45 Degree																
YAZ32-2N-90	3						3.64"	90 Degree																
YAZ32-2TC38	1			3/8"	1"	1.40"	4.62"	Straight																
YAZ32-2TC38-45	2						4.25"	45 Degree																
YAZ32-2TC38-90	3						2.46"	90 Degree																
YAZ33-2N	1	450 kcmil	-	1/2"	1-3/4"	1.48"	5.89"	Straight	-	W33VT (4)	W33VT (4) W33RT (4)	U33RT (4)	Gray	326 or 538	2-5/16"									
YAZ33-2N-45	2						5.54"	45 Degree																
YAZ33-2N-90	3						3.70"	90 Degree																
YAZ34-2N	1			500 kcmil	240	1/2"	1-3/4"	1.55"								6.04"	Straight	-	W34VT (4)	W34VT (4) W34RT (4)	U34RT (4) U31ART (4)	Brown	20 or 299	2-5/16"
YAZ34-2N-45	2															5.69"	45 Degree							
YAZ34-2N-90	3															3.73"	90 Degree							
YAZ34-2TC14E2	1	1/4"	3/4"			1.55"	4.42"	Straight																
YAZ34-2TC14E2-45	2						4.06"	45 Degree																
YAZ34-2TC14E2-90	3						2.10"	90 Degree																
YAZ34-2TC38	1	3/8"	1"	1.55"	4.85"	Straight																		
YAZ34-2TC38-45	2				4.50"	45 Degree																		
YAZ34-2TC38-90	3				2.54"	90 Degree																		
YAZ35-2N	1	550 kcmil	-	1/2"	1-3/4"	1.65"	6.45"	Straight	-	-	-	U35RT (4)	Yellow	21	2-11/16"									
YAZ35-2N-45	2						6.03"	45 Degree																
YAZ35-2N-90	3						3.77"	90 Degree																

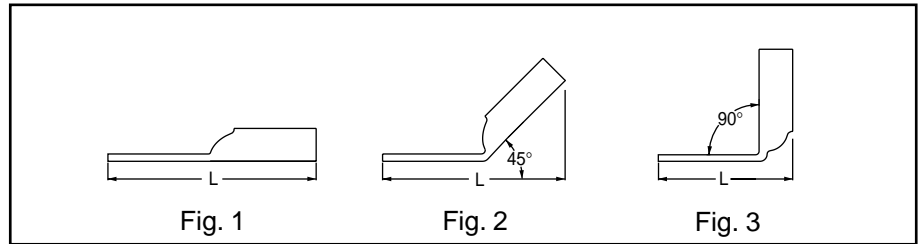
* Use P-UADP-1 adaptor with "U" -dies in Y46 HYPRESS™.
 ** P-RT die sets for use in Y46 HYPRESS™ only, P-UADP-1 adaptor not required.
 *** The MM² conductor sizes listed are the recommendations for Class 2 conductor.

" Available undrilled. Add suffix "U" to catalog number. (Example: YA25U).
 ▲ See tooling section of this catalog for complete tool and die listings.

◆ For applications greater than 2000 Volts consult cable manufacturer for voltage stress relief instructions.



TWO HOLE HYLUG™ CODE CONDUCTOR LONG BARREL WITH INSPECTION WINDOW (CONTINUED)



Catalog Number	Fig #	Conductor		Stud Hole Size	Stud Hole Spacing	Tongue Width	L	Tongue Angle	Installation Tooling						WIRE STRIP LENGTH
		AWG	MM²						Mechanical		Hydraulic		COLOR CODE	DIE INDEX	
									Y1MRTC Y2MR	MD7-34R	BCT500 Y500CT	Y750-2/Y46C* BAT-750C			
YAZ36-2N	1	600 kcmil	300	1/2"	1-3/4"	1.74"	6.55"	Straight	-	-	-	U36RT (4) U32ART (4)	Green	22 or 472	2/4"
YAZ36-2N-45	2						6.14"	45 Degree							
YAZ36-2N-90	3						3.81"	90 Degree							
YAZ36-2TC38	1			3/8"	1"	1.74"	5.55"	Straight							
YAZ36-2TC38-45	2						5.14"	45 Degree							
YAZ36-2TC38-90	3						2.81"	90 Degree							
YAZ37-2N	1	650 kcmil	-	1/2"	1-3/4"	1.80"	6.70"	Straight	-	-	-	U37RT (4)	Orange	23	2-7/8"
YAZ37-2N-45	2						6.26"	45 Degree							
YAZ37-2N-90	3						3.84"	90 Degree							
YAZ38-2N	1	700 kcmil	-	1/2"	1-3/4"	1.84"	6.72"	Straight	-	-	-	U38RT (4)	Pink	400	2-7/8"
YAZ38-2N-45	2						6.26"	45 Degree							
YAZ38-2N-90	3						3.84"	Straight							
YAZ39-2N	1	750 kcmil	-	1/2"	1-3/4"	1.91"	6.82"	Straight	-	-	-	U39RT (4) P39RT (4) **	Black	24	2-15/16"
YAZ39-2N-45	2						6.34"	45 Degree							
YAZ39-2N-90	3						3.87"	90 Degree							
YAZ39-2NT38	1			3/8"	1"	1.63"	5.82"	Straight							
YAZ39-2NT38-45	2						5.34"	45 Degree							
YAZ39-2NT38-90	3						2.87"	90 Degree							
YAZ39-2TC38	1			3/8"	1"	1.91"	5.82"	Straight							
YAZ39-2TC38-45	2						5.34"	45 Degree							
YAZ39-2TC38-90	3						2.87"	90 Degree							
YAZ39-2NNT	1			1/2"	1-3/4"	1.63"	6.82"	Straight							
YAZ39-2NNT-45	2						6.34"	45 Degree							
YAZ39-2NNT-90	3						3.87"	90 Degree							
YAZ40-2N	1	800 kcmil	400	1/2"	1-3/4"	1.98"	6.89"	Straight	-	-	-	P40RT (4) **	Orange	25	3"
YAZ40-2N-45	2						6.46"	45 Degree							
YAZ40-2N-90	3						3.91"	90 Degree							
YAZ41-2N	1	850 kcmil	-	1/2"	1-3/4"	2.01"	6.91"	Straight	-	-	-	-	Gold	-	3"
YAZ41-2N-45	2						6.48"	45 Degree							
YAZ41-2N-90	3						3.93"	90 Degree							
YAZ44-2N	1	1000 kcmil	500	1/2"	1-3/4"	2.19"	7.08"	Straight	-	-	-	P44RT (4) **	White	27	3-1/16"
YAZ44-2N-45	2						6.66"	45 Degree							
YAZ44-2N-90	3						4.02"	90 Degree							
YAZ44-2TC38	1			3/8"	1"	2.19"	6.09"	Straight							
YAZ44-2TC38-45	2						5.66"	45 Degree							
YAZ44-2TC38-90	3						3.02"	90 Degree							
YAZ45-2N	1	1250 kcmil	-	1/2"	1-3/4"	2.46"	7.38"	Straight	-	-	-	P45RT (6) **	Yellow	29	3-1/4"
YAZ45-2N-45	2						6.99"	45 Degree							
YAZ45-2N-90	3						4.13"	90 Degree							
YAZ453-2N	1	1300 kcmil	-	1/2"	1-3/4"	2.53"	7.41"	Straight	-	-	-	-	Orange	30	2-1/16"
YAZ453-2N-45	2						7.03"	45 Degree							
YAZ453-2N-90	3						4.16"	90 Degree							
YAZ46-2N	1	1500 kcmil	-	1/2"	1-3/4"	2.69"	7.48"	Straight	-	-	-	P46RT (6) **	Green	31	3-5/16"
YAZ46-2N-45	2						7.10"	45 Degree							
YAZ46-2N-90	3						4.22"	90 Degree							
YAZ47-2N	1	1750 kcmil	-	1/2"	1-3/4"	2.90"	7.82"	Straight	-	-	-	-	Gray	33	3-1/2"
YAZ47-2N-45	2						7.40"	45 Degree							
YAZ47-2N-90	3						4.30"	90 Degree							

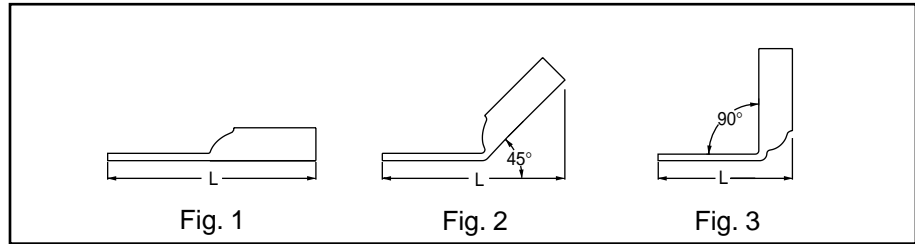
* Use P-UADP-1 adaptor with "U" -dies in Y46 HYPRESS™.
 ** P-RT die sets for use in Y46 HYPRESS™ only, P-UADP-1 adaptor not required.
 *** The MM² conductor sizes listed are the recommendations for Class 2 conductor.

* Available undrilled. Add suffix "U" to catalog number. (Example: YA25U).
 ▲ See tooling section of this catalog for complete tool and die listings.

◆ For applications greater than 2000 Volts consult cable manufacturer for voltage stress relief instructions.



TWO HOLE HYLUG™ CODE CONDUCTOR LONG BARREL WITH INSPECTION WINDOW (CONTINUED)



Catalog Number	Fig #	Conductor		Stud Hole Size	Stud Hole Spacing	Tongue Width	L	Tongue Angle	Installation Tooling							
		AWG	*** MM ²						Mechanical		Hydraulic		COLOR CODE	DIE INDEX	WIRE STRIP LENGTH	
									Y1MRTC Y2MR	MD7-34R	BCT500 Y500CT	Y750-2/Y46C* BAT-750C				
YAZ48-2N	1			1/2"	1-3/4"	3.10"	7.89"	Straight								
YAZ48-2N-45	2	2000 kcmil	-	1/2"	1-3/4"	3.10"	7.54"	45 Degree	-	-	-	-	Brown	34	3-1/2"	
YAZ48-2N-90	3						4.40"	90 Degree								

- * Use P-UADP-1 adaptor with "U" -dies in Y46 HYPRESS™.
- ** P-RT die sets for use in Y46 HYPRESS™ only, P-UADP-1 adaptor not required.
- *** The MM² conductor sizes listed are the recommendations for Class 2 conductor.
- " Available undrilled. Add suffix "U" to catalog number. (Example: YA25U).
- ▲ See tooling section of this catalog for complete tool and die listings.
- ◆ For applications greater than 2000 Volts consult cable manufacturer for voltage stress relief instructions.