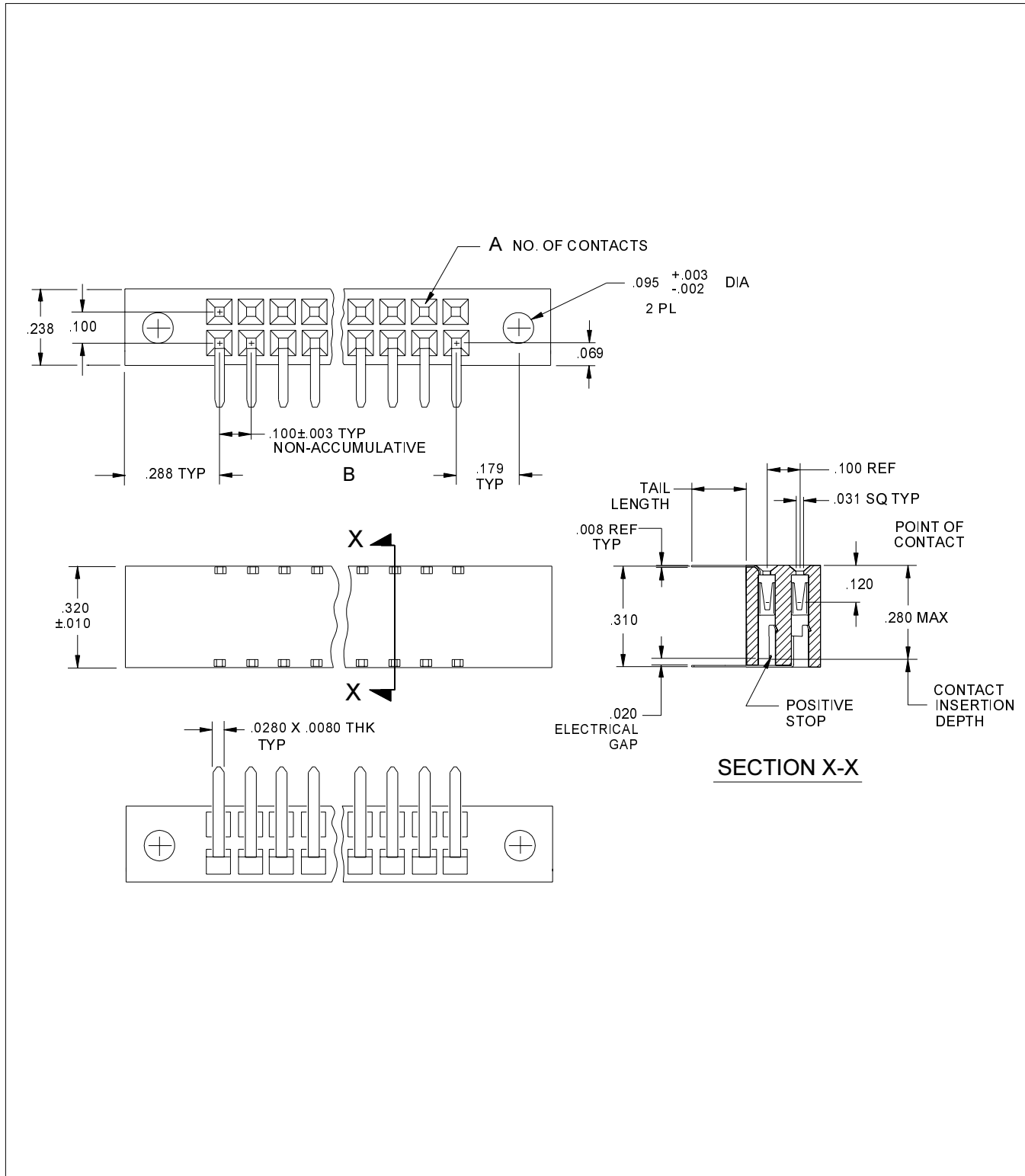


5.1 PC BOARD CONNECTORS / M55302



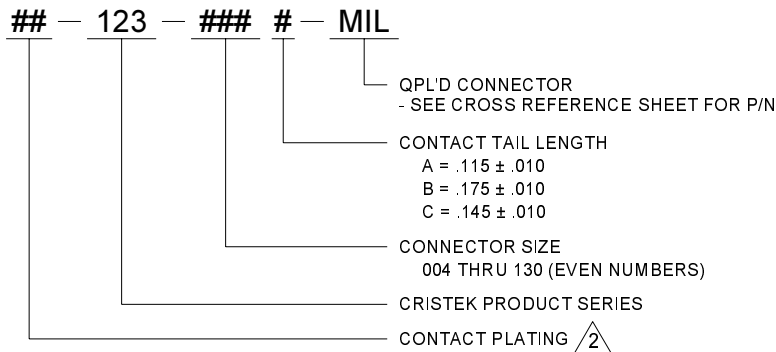
CRISTEK INTERCONNECTS, INC. www.cristek.com 1301 S. Lewis St. Anaheim, CA 92805 Phone: (714) 618-2000 FAX: (714) 535-4897	TITLE	DWG. NO. M55302/128XX3X		
	FILENAME ADS-123MIL-1	CODE IDENT NO. 67720	SHT 1 OF 2	REV B
		TOLERANCE: .XXX ±.005 .XX ±.01 ANGLE ±1°		

A NO. OF CONTACTS	NO. OF SPACES	B ±.010
04	1	.10
06	2	.20
08	3	.30
10	4	.40
12	5	.50
14	6	.60
16	7	.70
18	8	.80
20	9	.90
22	10	1.00
24	11	1.10
26	12	1.20
28	13	1.30
30	14	1.40
32	15	1.50
34	16	1.60

A NO. OF CONTACTS	NO. OF SPACES	B ±.010
36	17	1.70
38	18	1.80
40	19	1.90
42	20	2.00
44	21	2.10
46	22	2.20
48	23	2.30
50	24	2.40
52	25	2.50
54	26	2.60
56	27	2.70
58	28	2.80
60	29	2.90
62	30	3.00
64	31	3.10
66	32	3.20

A NO. OF CONTACTS	NO. OF SPACES	B ±.010
68	33	3.30
70	34	3.40
72	35	3.50
74	36	3.60
76	37	3.70
78	38	3.80
80	39	3.90
82	40	4.00
84	41	4.10
86	42	4.20
88	43	4.30
90	44	4.40
92	45	4.50
94	46	4.60
96	47	4.70
98	48	4.80

A NO. OF CONTACTS	NO. OF SPACES	B ±.010
100	49	4.90
102	50	5.00
104	51	5.10
106	52	5.20
108	53	5.30
110	54	5.40
112	55	5.50
114	56	5.60
116	57	5.70
118	58	5.80
120	59	5.90
122	60	6.00
124	61	6.10
126	62	6.20
128	63	6.30
130	64	6.40



1. MATERIALS:

INSULATOR - PHENOLIC PER MIL-M-14
CONTACT - BERYLLIUM COPPER ALLOY

2. FINISH:

CONTACT PLATING OPTIONS

53 = POINT OF CONTACT TO BE PLATED PER MIL-G-45204 TYPE II, CLASS 1, GRADE C OVER NICKEL PER QQ-N-290 CLASS 2 .000040 MIN. REMAINDER OF CONTACT TO HAVE A FLASH OF GOLD OVER NICKEL.

55 = ENTIRE CONTACT TO BE PLATED PER MIL-G-45204 TYPE II, CLASS 1, GRADE C OVER NICKEL PER QQ-N-290 CLASS 2 .000040 MIN.

SD = HOT SOLDER DIPPED TERMINATION AREA. POINT OF CONTACT TO BE PLATED PER MIL-G-45204 TYPE II, CLASS 1 GRADE C OVER NICKEL PER QQ-N-290 CLASS 2 .000040 MIN.

3. SPECIFICATIONS:

CURRENT RATING 3 AMPS MAX
TEMPERATURE RATING -65° C TO +125° C
INSULATION RESISTANCE 5000 MEGOHMS MIN AT 500 VDC
DWV AT SEA LEVEL 750 VAC
CONTACT RESISTANCE 12 MILLIOHMS MAX AT 3 AMPS
INSERTION FORCE 6 oz MAX
WITHDRAWAL FORCE 0.75 oz MIN

4. MARKING:

IDENTIFY CONNECTOR IN ACCORDANCE WITH MIL-STD-1285. THE FIRST AND LAST CIRCUIT SHALL BE NUMBERED AND EVERY FIFTH CIRCUIT SHALL HAVE AN IDENTIFIABLE MARK IN THE TOP SURFACE OF THE HOUSING, BEGINNING WITH THE LEFT (NO. 1), LOOKING AT THE MATING FACE OF THE CONNECTOR.

5. ADDITIONAL INFORMATION:

FOR MORE OPTIONS AND CONFIGURATIONS, SEE OTHER "MODTEK" SHEETS.
FOR HOT SOLDER DIP, CONTACT CRISTEK.

CRISTEK INTERCONNECTS, INC. www.cristek.com 1301 S. Lewis St. Anaheim, CA 92805 Phone: (714) 618-2000 FAX: (714) 535-4897	TITLE	DWG. NO. M55302/128XX3X	
	FILENAME ADS-123MIL-2	CODE IDENT NO. 67720	SHT 2 OF 2
		TOLERANCE: .XXX ±.005 .XX ±.01 ANGLE ±1°	