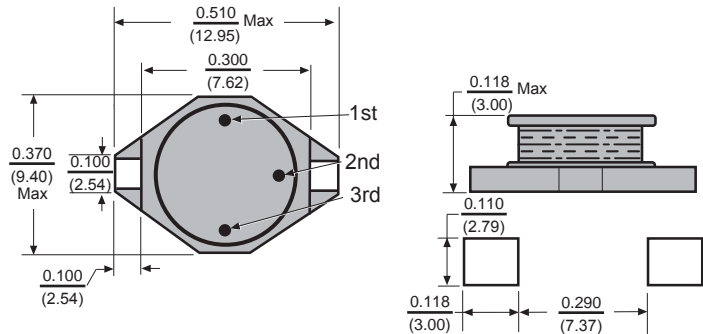




Power Chip Inductors PCI30



Dimensions: $\frac{\text{Inches}}{\text{(mm)}}$



* Notice of marking change see "Marking" below.

Allied Part Number	Inductance (μh)	Tolerance (%)	SRF (MHz) TYP	DCR Max. (Ω)	Isat (A)	I _{rms} (A)
PCI30-100M-RC	10	20	35	0.09	2.4	2.0
PCI30-150M-RC	15	20	33	0.12	2.0	1.5
PCI30-220M-RC	22	20	25	0.19	1.6	1.3
PCI30-330M-RC	33	20	19	0.25	1.4	1.1
PCI30-470M-RC	47	20	14	0.32	1.0	0.8
PCI30-680M-RC	68	20	12	0.55	0.9	0.7
PCI30-101M-RC	100	20	10	0.70	0.7	0.6
PCI30-151M-RC	150	20	8	1.00	0.6	0.5
PCI30-221M-RC	220	20	6	1.60	0.5	0.4
PCI30-331M-RC	330	20	5	2.20	0.4	0.3
PCI30-471M-RC	470	20	4	3.30	0.3	0.2
PCI30-681M-RC	680	20	3	4.40	0.2	0.1
PCI30-102M-RC	1000	20	2.5	7.00	0.1	0.05

Features

- Low Profile
- Designed with high heat resistant materials for reflow operation
- Wrap around terminals for excellent solder quality and inspection
- Flat top for pick and place assembly
- Non-standard values available

Electrical

Inductance Range: 10 μh to 1000 μh .

Tolerance: $\pm 20\%$ over the entire inductance range.

Test Frequency: Inductance measured at 100KHz, 0.1 V_{rms}.

Operating Temp. Range: -40° to +85°C.

Inductance Drop: 20% typically at the rated Isat.

Temperature rise: $\Delta T=30^\circ\text{C}$ typical at I_{rms}.

Physical

Marking: Notice: We will be changing our marking system to the 4 character EIA code for inductance and tolerance. For example: "101K" for 100 μh 10%.

Packaging: 1000 pieces per 13 inch reel.

All specifications subject to change without notice.