

Nonflame Wirewound Resistors



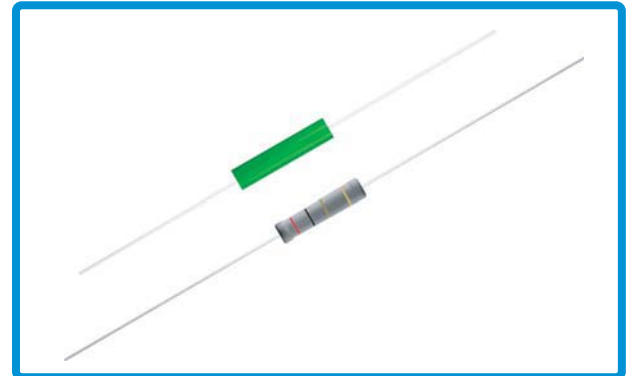
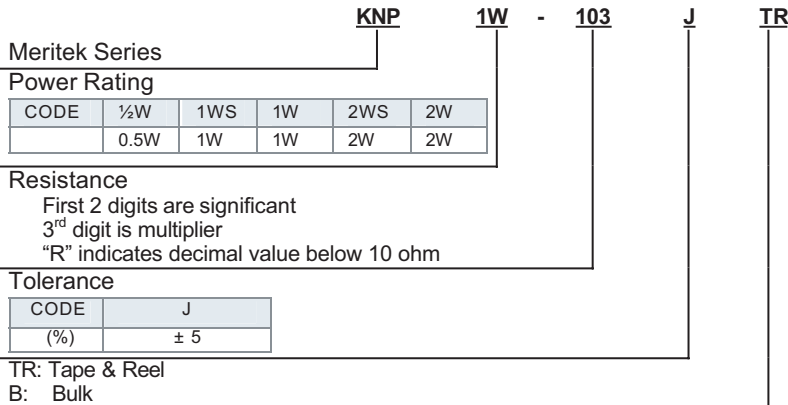
KNP (Standard type)
NKNP (Non-inductive type)

MERITEK

FEATURES

- High heat dissipation: Small linear temperature coefficient
- Instant overload capability; Low noise figure and without annual shift in resistance value
- Complete flameproof construction UL-1412

PART NUMBERING SYSTEMS



DIMENSIONS

STYLE		DIMENSIONS (MM)				VALUE RANGE
Normal	Miniature	L	D	H	d	
KNP-1/2W	KNP-1WS	9.0±0.5	3.2±0.5	26±2.0	0.65±0.03	0.1Ω ~50 Ω
KNP-1W	KNP-2WS	11.5±1.0	4.5±0.5	35±2.0	0.78±0.03	0.1 Ω~100 Ω
KNP-2W	KNP-3WS	15.5± 1.0	5.0± 0.5	32± 2.0	0.78± 0.03	0.1 Ω~330Ω
KNP-3W	KNP-5WS	16.5±1.0	6.0±0.5	32±2.0	0.78±0.03	0.1 Ω~200 Ω
KNP-5W	KNP-7WS	24.0± 1.0	8.0± 0.5	38± 2.0	0.78± 0.03	0.5 Ω~300Ω
KNP-7W	KNP-8WS	30.0±1.0	8.0±0.5	38±2.0	0.78±0.03	0.5 Ω~300 Ω
KNP-8W	KNP-9WS	40.0± 1.0	8.0± 0.5	38± 2.0	0.78± 0.03	1 Ω~1.5KΩ
KNP-9W	KNP-10WS	47.0±1.0	8.0±0.5	38±2.0	0.78±0.03	1 Ω~1.5K Ω
KNP-10W		49.0±1.0	9.0±0.5	38±2.0	1.0±0.03	1 Ω~3.3K Ω

Value range for standard resistance, below or over this resistance on request 2. Non-inductive type up to 50 Ω only

ELECTRICAL CHARACTERISTICS

STYLE	KNP-1/2W	KNP-1WS KNP-1W	KNP-2WS KNP-2W	KNP-3WS KNP3W	KNP-5WS KNP-5W	KNP-7WS KPN-7W	KNP-8WS KNP-8W	KNP-9WS KNP-9W	KNP-10WS KNP-10W
Power Rating At 70°C	0.5W	1W	2W	3W	5W	7W	8W	9W	10W
Operating Temp. Range	-55°C to + 155°C								
Resistance Temp. Coeff.	±400PPM/ °C								
Dielectric Withstanding Volt	300V	300V	400V	400V	500V	500V	500V	800V	1000V

PERFORMANCE

Short time overload	± 2%+0.05 Ω
Insulation resistance	> 100M
Load life	± 5%+0.05 Ω
Load life in humidity	± 5%+0.05 Ω
Solderability	95% min. coverage
Terminal strength	Tensile: ≥2.5kg