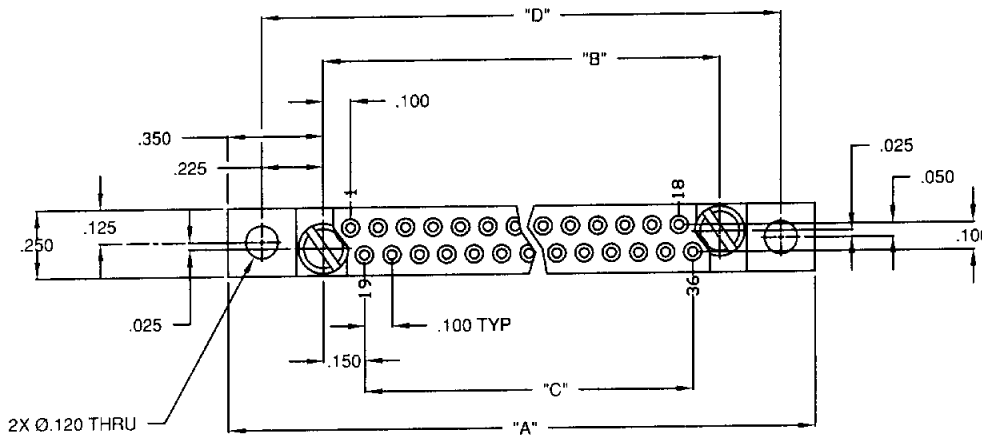


.100 SERIES 2 ROW PLUG / RECEPTACLE CRIMP REMOVABLE, #22 AWG

Dimensions					
No. of Cnt's	"A"	"B"	"C"	"D"	"E"
10	1.350	.650	.400	1.100	.850
14	1.550	.850	.600	1.300	1.050
20	1.850	1.150	.900	1.600	1.350
24	2.050	1.350	1.100	1.800	1.550
26	2.150	1.450	1.200	1.900	1.650
30	2.350	1.650	1.400	2.100	1.850
36	2.650	1.950	1.700	2.400	2.150
40	2.850	2.150	1.900	2.600	2.350
44	3.050	2.350	2.100	2.800	2.550
50	3.350	2.650	2.400	3.100	2.850
54	3.550	2.850	2.600	3.300	3.050
56	3.650	2.950	2.700	3.400	3.150
60	3.850	3.150	2.900	3.600	3.350
66	4.150	3.450	3.200	3.900	3.650
70	4.350	3.650	3.400	4.100	3.850

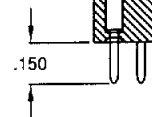
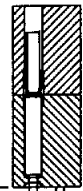
P/N FXXX - XX XX - XXX - XX

Body Style ————
Contact Code ———— see below
Number of Contact Positions ————
Polarization ———— see page F23
Special Variation ———— see page F35
Hardware Code ———— see pages F22 & F23

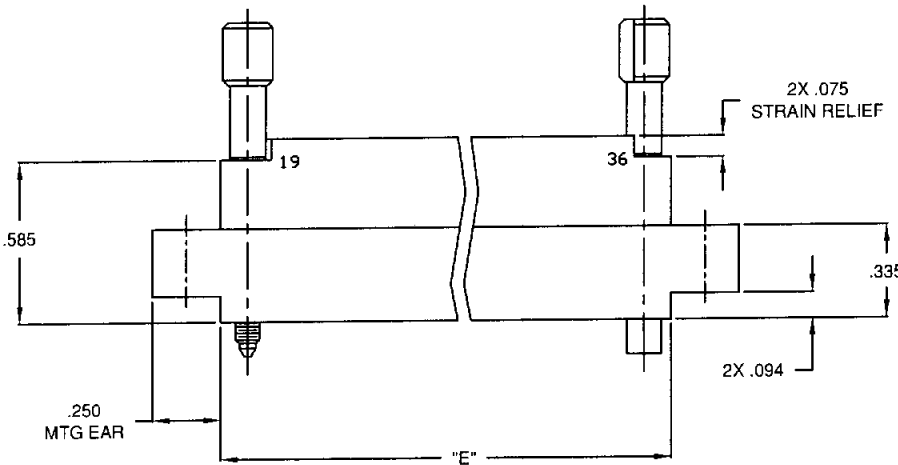
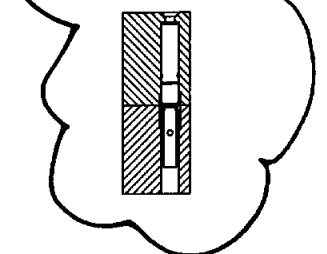


CONTACT CODES:

P
PIN CONTACT



S
SOCKET CONTACT
M55302 / 65-02



MATING CONNECTORS:

FBR, FDR, FGR PLUG

FBR, FDR, FTW
FTY, FTD, FTB RECEPTACLE

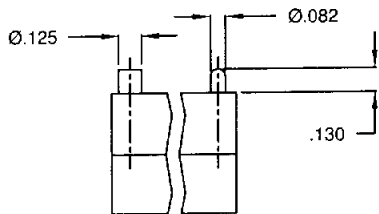
- FKE - AS SHOWN **WITH** STRAIN RELIEF & **WITH** MTG EARS
- FKA - **WITH** STRAIN RELIEF & **WITHOUT** MTG EARS
- *NEW* FKV - **WITHOUT** STRAIN RELIEF & **WITH** MTG EARS
- *NEW* FKZ - **WITHOUT** STRAIN RELIEF & **WITHOUT** MTG EARS
- FKH - AS SHOWN **WITH** STRAIN RELIEF & **WITH** MTG EARS (RECESSED HARDWARE)
- FKF - **WITH** STRAIN RELIEF & **WITHOUT** MTG EARS (RECESSED HARDWARE)
- *NEW* FKJ - **WITHOUT** STRAIN RELIEF & **WITH** MTG EARS (RECESSED HARDWARE)
- *NEW* FKR - **WITHOUT** STRAIN RELIEF & **WITHOUT** MTG EARS (RECESSED HARDWARE)

*Call for Crimp Tooling/Accessories

.100 SERIES 2 & 3 ROW HARDWARE CODES

CRIMP REMOVABLE

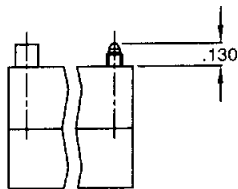
GUIDE SETS



G - GUIDE SET
FIGURE #1

CODE	MIL CODE	FIG NO.	HARDWARE DESCRIPTION	MIL APPROVED
G	X	1	GUIDE SET	YES
GR			GUIDE SET REVERSED	NO

FIXED JACKSETS

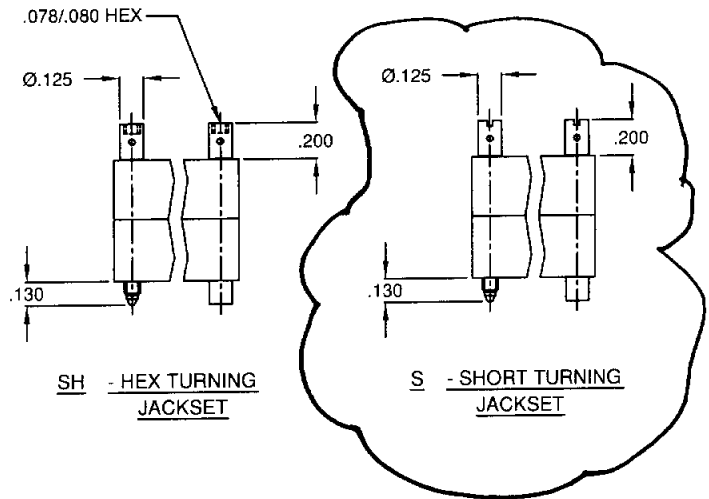


F - FIXED JACKSET
FIGURE #1

Unless stated otherwise, all threads are #2-56 UNC

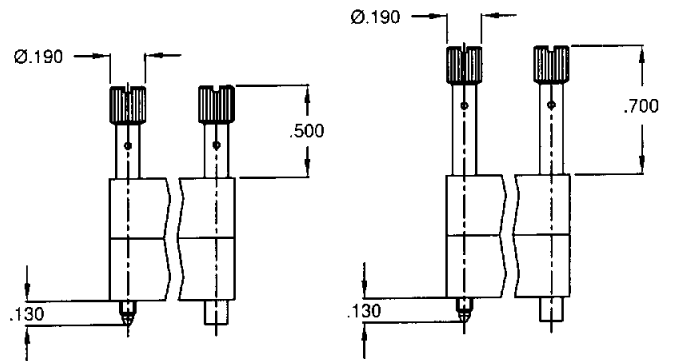
CODE	MIL CODE	FIG NO.	HARDWARE DESCRIPTION	MIL APPROVED
F	F	1	FIXED JACKSET	YES
FR			FIXED JACKSET REVERSED	NO
F2M			TWO FIXED JACKSCREWS	NO
F2F			TWO FIXED JACKSOCKETS	NO

TURNING JACKSETS



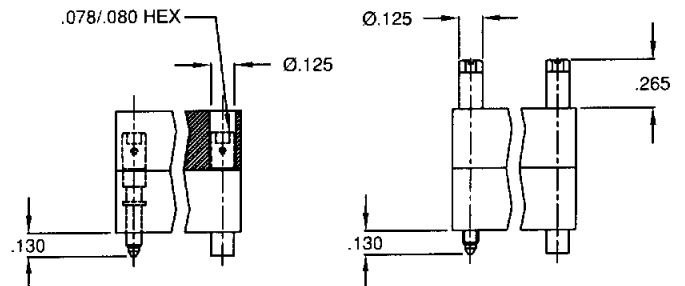
SH - HEX TURNING JACKSET

S - SHORT TURNING JACKSET



M - MEDIUM TURNING JACKSET

L - LONG TURNING JACKSET



RTH - RECESSED HEX TURNING JACKSET

EH - TURNING EXTERNAL JACKSET (HEX KNOB)

Unless stated otherwise, all threads are #2-56 UNC