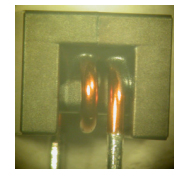
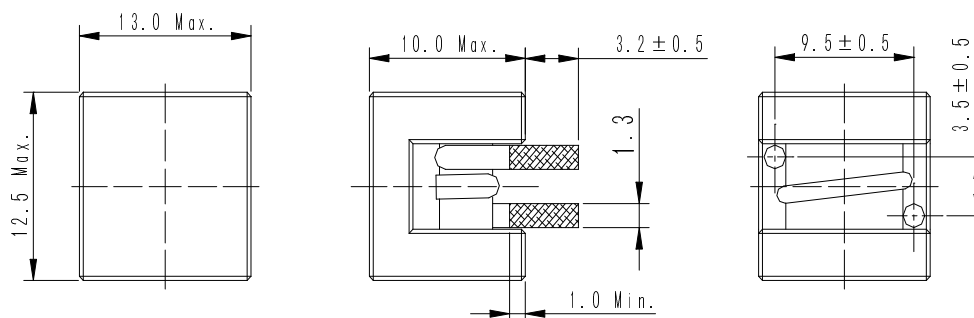
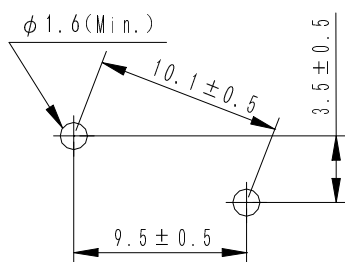
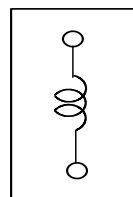


**Type: DEF119**
**◆ Product Description**

- 13.0×12.5mm Max.(L×W),10.0mm Max. Height.
- Inductance Range: 0.32~0.43 μH.
- Rated current range:29.5A.
- Custom design is available.


**◆ Feature**

- Magnetically shielded construction.
- Mn-Zn core used super high DC saturation current inductors.
- Ideally used in motherboard power supply.
- RoHS Compliance.

**◆ Dimensions (mm)**

**◆ Land pattern (mm)**

**◆ Schematics (Bottom)**

**◆ Specification**

Part Name	Stamp	Inductance (μH) 100kHz	D.C.R (at 20°C) (mΩ)	Saturation Current (A) ※1	Temperature rise current (A) ※2
DEF119NP-R32M	R32M	0.32 ± 20%	0.65 ± 20%	48.0	29.5
DEF119NP-R43M	R43M	0.43 ± 20%	0.65 ± 20%	42.0	29.5

※1. Saturation current: The DC current at which the inductance decreases to 75% of its nominal value.

※2. Temperature rise current: The DC current at which the temperature rise is  $\Delta t = 40^\circ\text{C}$  ( $T_a = 20^\circ\text{C}$ ).