

## Technical Data Sheet

### Top View LEDs

#### 67-31A/T7C-AAW1X1MZ3/2T

#### Features

- P-LCC-3 package.
- High flux output.
- High current capability.
- White package.
- Optical indicator.
- Colorless clear window.
- Ideal for backlight and light pipe application.
- Inter reflector.
- Wide viewing angle.
- Suitable for automatic placement equipment.
- Suitable for reflow and wave solder processes.
- Available on tape and reel (8mm Tape).
- Pb-free.
- The product itself will remain within RoHS compliant version.



#### Descriptions

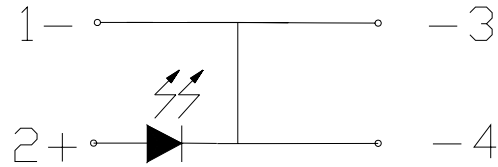
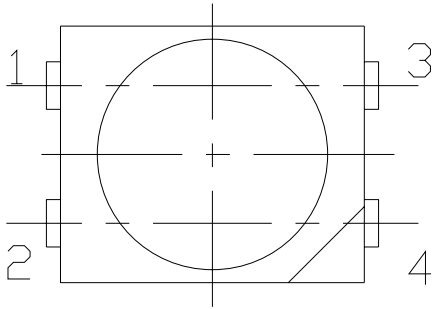
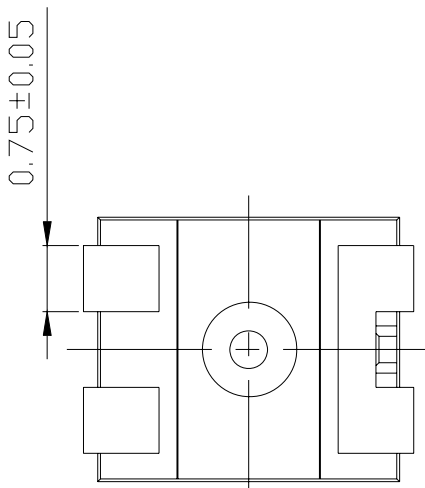
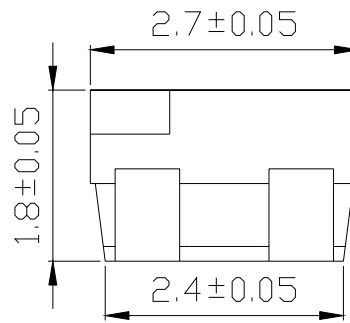
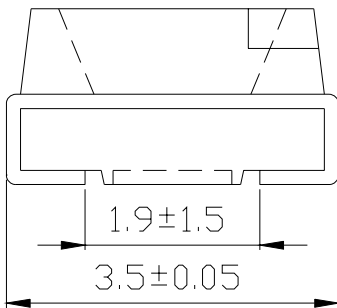
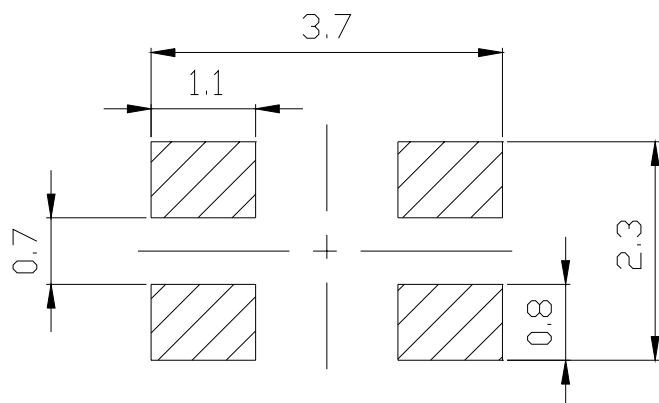
- The 67-31A series is available in soft orange, red and yellow. Due to the package design, the LED has wide viewing angle and optimized light coupling by inter reflector.
- This feature makes the ideal for light pipe application. The low current requirement makes this device ideal for portable equipment or any other application where power is at a premium.

#### Applications

- Indicator and backlight for audio and video equipment.
- Indicator and backlight in office and family equipment.
- Flat backlight for LCD's, switches and symbols.
- Light pipe application.
- General use.

#### Device Selection Guide

Chip	Emitted Color	Resin Color
Material		
InGaN	Pure White	Water Clear

**Technical Data Sheet**  
**Top View LEDs**
**67-31A/T7C-AAW1X1MZ3/2T**
**Package Dimensions**

**Polarity**

**Recommended soldering pad design**


**Note:** The tolerances unless mentioned is  $\pm 0.1\text{mm}$  ;Unit = mm

## Technical Data Sheet

### Top View LEDs

#### 67-31A/T7C-AAW1X1MZ3/2T

#### Absolute Maximum Ratings ( $T_A=25^{\circ}\text{C}$ )

Parameter	Symbol	Rating	Unit
Reverse Voltage	$V_R$	5	V
Forward Current	$I_F$	30	mA
Peak Forward Current (Duty 1/10 @1KHz)	$I_{FP}$	100	mA
Power Dissipation	$P_d$	110	mW
Electrostatic Discharge(HBM)	ESD	1000	V
Operating Temperature	$T_{opr}$	-40 ~ +85	$^{\circ}\text{C}$
Storage Temperature	$T_{stg}$	-40 ~ +90	$^{\circ}\text{C}$
Soldering Temperature	$T_{sol}$	Reflow Soldering : 260 $^{\circ}\text{C}$ for 10 sec. Hand Soldering : 350 $^{\circ}\text{C}$ for 3 sec.	

#### Electronic Optical Characteristics ( $T_A=25^{\circ}\text{C}$ )

Parameter	Symbol	Min.	Typ.	Max.	Unit	Condition
Luminous Intensity	$I_v$	1120	-----	2250	mcd	$I_F=30\text{mA}$
Viewing Angle	$2\theta_{1/2}$	-----	120	-----	deg	$I_F=30\text{mA}$
Forward Voltage	$V_F$	2.75	-----	3.95	V	$I_F=30\text{mA}$
Reverse Current	$I_R$	-----	-----	50	$\mu\text{A}$	$V_R=5\text{V}$

#### Notes:

- 1.Tolerance of Luminous Intensity :  $\pm 11\%$
- 2.Tolerance of Forward Voltage :  $\pm 0.1\text{V}$

**Technical Data Sheet**  
**Top View LEDs****67-31A/T7C-AAW1X1MZ3/2T****Bin Range of Luminous Intensity**

Bin	Min.	Max.	Unit	Condition
W1	1120	1420	mcd	I <sub>F</sub> =30mA
W2	1420	1800		
X1	1800	2250		

**Bin Range of Forward Voltage**

Bin	Min.	Max.	Unit	Condition
5	2.75	3.05	V	I <sub>F</sub> =30mA
6	3.05	3.35		
7	3.35	3.65		
8	3.65	3.95		

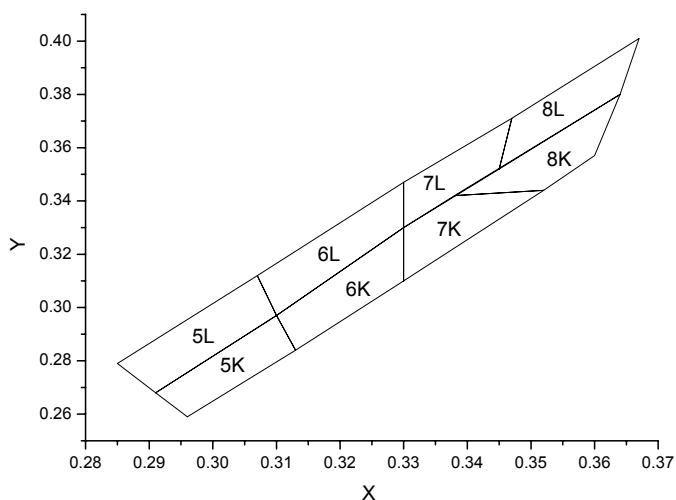
**Notes:**

- 1.Tolerance of Luminous Intensity :  $\pm 11\%$
- 2.Tolerance of Forward Voltage :  $\pm 0.1V$

**Technical Data Sheet**  
**Top View LEDs**
**67-31A/T7C-AAW1X1MZ3/2T**
**Bin Range of Chromaticity Coordinates Specifications**

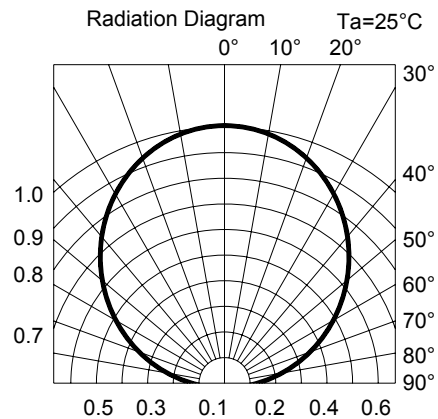
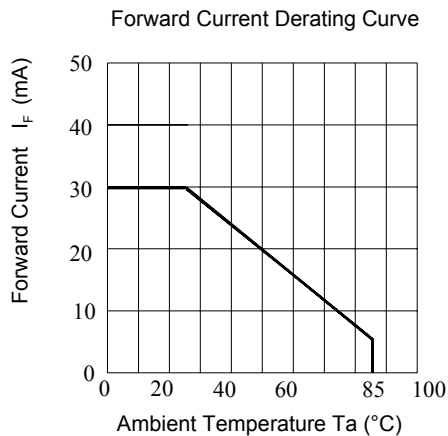
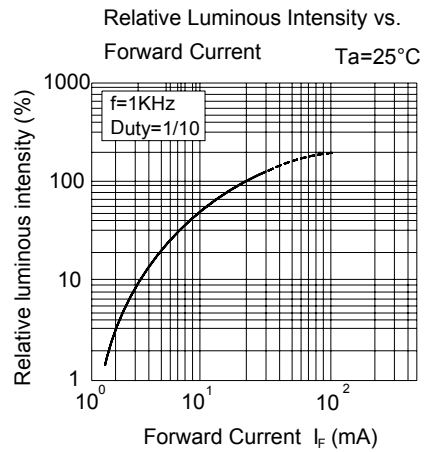
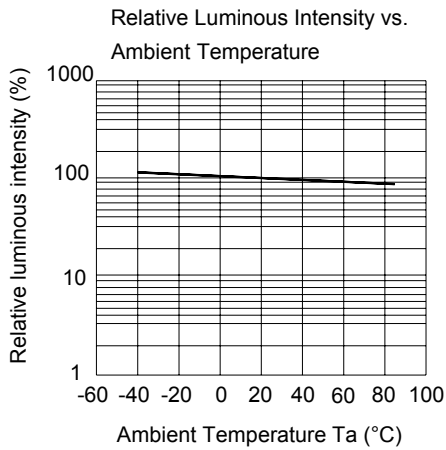
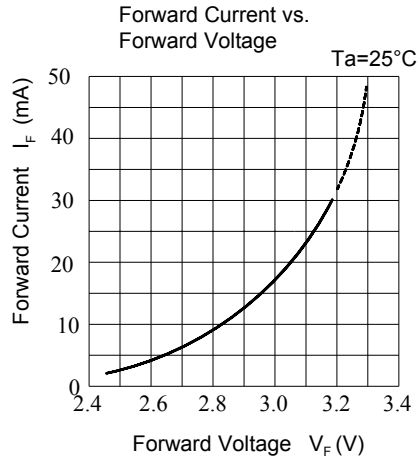
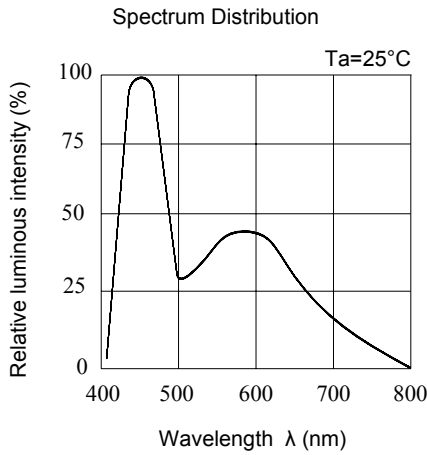
Group	Bin Code	CIE_x	CIE_y	Bin Code	CIE_x	CIE_y
AA	5K	0.2960	0.2590	5L	0.2910	0.2680
		0.2910	0.2680		0.2850	0.2790
		0.3100	0.2970		0.3070	0.3120
		0.3130	0.2840		0.3100	0.2970
	6K	0.3130	0.2840	6L	0.3100	0.2970
		0.3100	0.2970		0.3070	0.3120
		0.3300	0.3300		0.3300	0.3470
		0.3300	0.3100		0.3300	0.3300
	7K	0.3300	0.3100	7L	0.3300	0.3300
		0.3300	0.3300		0.3300	0.3470
		0.3380	0.3420		0.3470	0.3710
		0.3520	0.3440		0.3450	0.3520
	8K	0.3520	0.3440	8L	0.3450	0.3520
		0.3380	0.3420		0.3470	0.3710
		0.3640	0.3800		0.3670	0.4010
		0.3600	0.3570		0.3640	0.3800

**Note:** Tolerance of Chromaticity Coordinates:  $\pm 0.01$

**The C.I.E. 1931 Chromaticity Diagram**


**Technical Data Sheet**  
**Top View LEDs**

**67-31A/T7C-AAW1X1MZ3/2T**





Technical Data Sheet  
Top View LEDs

**67-31A/T7C-AAW1X1MZ3/2T**

**Label Explanation**

- CAT: Luminous Intensity Rank
- HUE: Chromaticity Coordinates
- REF: Forward Voltage Rank

EVERLIGHT

CPN: XXXXXX  
P/N: XXXXXX

RoHS

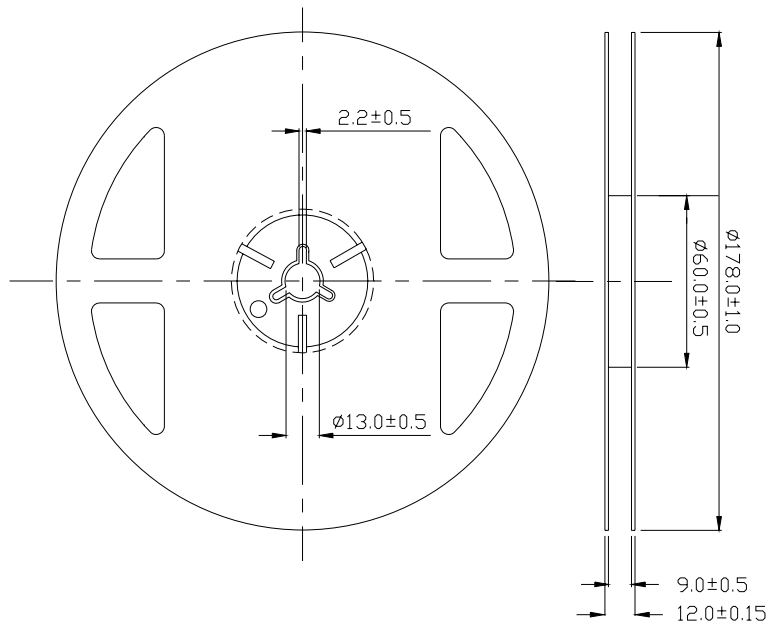
XXXXXXXXXXXXXXXXXXXX  
QTY: XXXX

LOT NO: XXXXXXXXXXXX

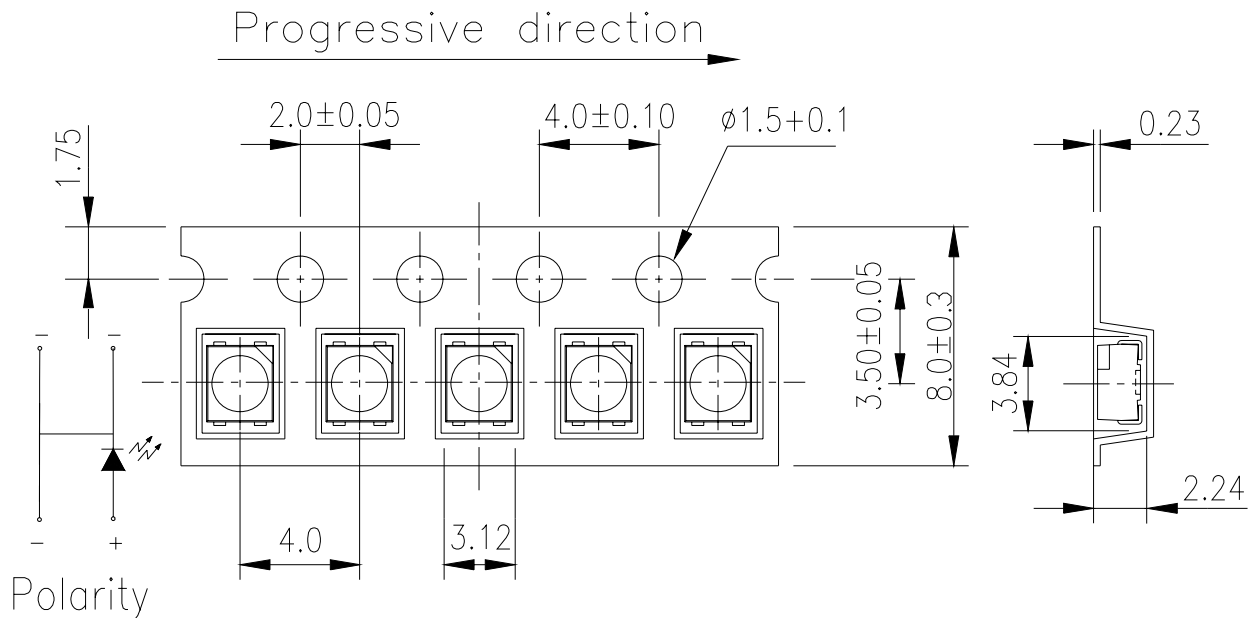
CAT:  
HUE:  
REF:

MADE IN TAIWAN

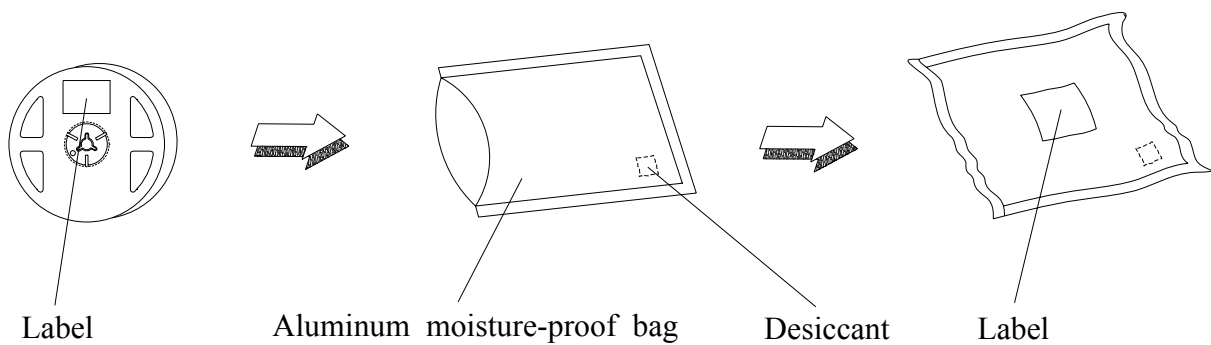
**Reel Dimensions**



**Note:** The tolerances unless mentioned is :  $\pm 0.1$ mm, Unit = mm

**Technical Data Sheet**  
**Top View LEDs**
**67-31A/T7C-AAW1X1MZ3/2T**
**Carrier Tape Dimensions; Loaded Quantity 2000 pcs Per Reel**


**Note:** The tolerances unless mentioned is :  $\pm 0.1$ mm, Unit = mm

**Moisture Resistant Packaging**




**Technical Data Sheet**  
**Top View LEDs****67-31A/T7C-AAW1X1MZ3/2T****Reliability Test Items And Conditions**

The reliability of products shall be satisfied with items listed below.

Confidence level : 90%

LTPD : 10%

No.	Items	Test Condition	Test Hours/Cycles	Sample Size	Ac/Re
1	Reflow Soldering	Temp. : 260°C±5°C Min. 5 sec.	6 Min.	22 PCS	0/1
2	Temperature Cycle	H : +100°C 15min ∫ 5 min L : -40°C 15min	300 Cycles	22 PCS.	0/1
3	Thermal Shock	H : +100°C 5min ∫ 10 sec L : -10°C 5min	300 Cycles	22 PCS.	0/1
4	High Temperature Storage	Temp. : 100°C	1000 Hrs.	22 PCS.	0/1
5	Low Temperature Storage	Temp. : -40°C	1000 Hrs.	22 PCS.	0/1
6	DC Operating Life	I <sub>F</sub> = 30 mA / 25°C	1000 Hrs.	22 PCS.	0/1
7	High Temperature / High Humidity	85°C/85%RH	1000 Hrs.	22 PCS.	0/1

## Technical Data Sheet

### Top View LEDs

**67-31A/T7C-AAW1X1MZ3/2T**

#### Precautions For Use

##### 1. Over-current-proof

Customer must apply resistors for protection, otherwise slight voltage shift will cause big current change ( Burn out will happen ).

##### 2. Storage

2.1 Do not open moisture proof bag before the products are ready to use.

2.2 Before opening the package: The LEDs should be kept at 30°C or less and 90%RH or less.

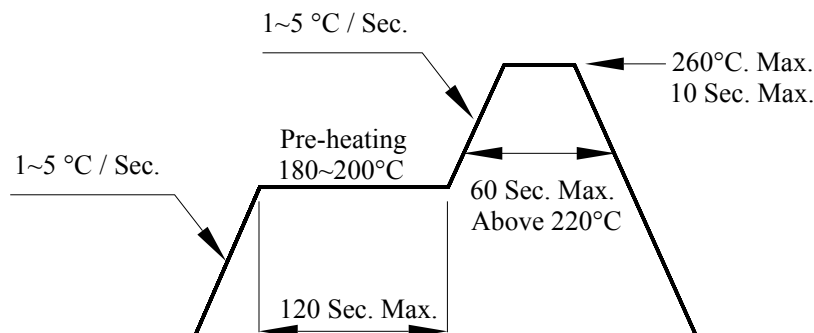
2.3 After opening the package: The LED's floor life are 168 hours under 30°C or less and 60% RH or less.If unused LEDs remain, it should be stored in moisture proof packages.

2.4 If the moisture absorbent material (silica gel) has faded away or the LEDs have exceeded the storage time, baking treatment should be performed using the following conditions.

Baking treatment : 60±5°C for 24 hours.

##### 3. Soldering Condition

###### 3.1 Pb-free solder temperature profile



3.2 Reflow soldering should not be done more than two times.

3.3 When soldering, do not put stress on the LEDs during heating.

3.4 After soldering, do not warp the circuit board.

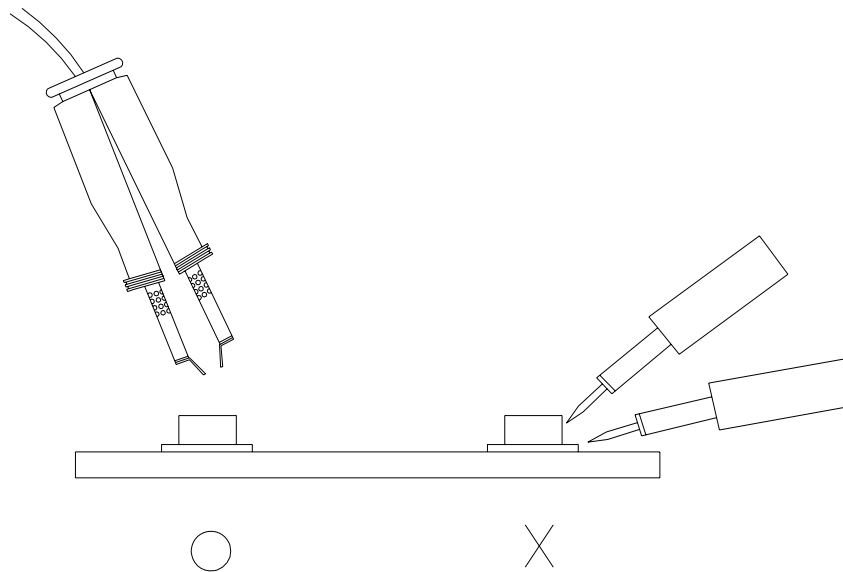
##### 4. Soldering Iron

Each terminal is to go to the tip of soldering iron temperature less than 350°C for 3 seconds within once in less than the soldering iron capacity 25W. Leave two seconds and more intervals, and do soldering of each terminal. Be careful because the damage of the product is often started at the time of the hand solder.

**Technical Data Sheet**  
**Top View LEDs****67-31A/T7C-AAW1X1MZ3/2T**

## 5. Repairing

Repair should not be done after the LEDs have been soldered. When repairing is unavoidable, a double-head soldering iron should be used (as below figure). It should be confirmed beforehand whether the characteristics of the LEDs will or will not be damaged by repairing.



**EVERLIGHT ELECTRONICS CO., LTD.**  
Office: No 25, Lane 76, Sec 3, Chung Yang Rd,  
Tucheng, Taipei 236, Taiwan, R.O.C

Tel: 886-2-2267-2000, 2267-9936  
Fax: 886-2267-6244, 2267-6189, 2267-6306  
<http://www.everlight.com>