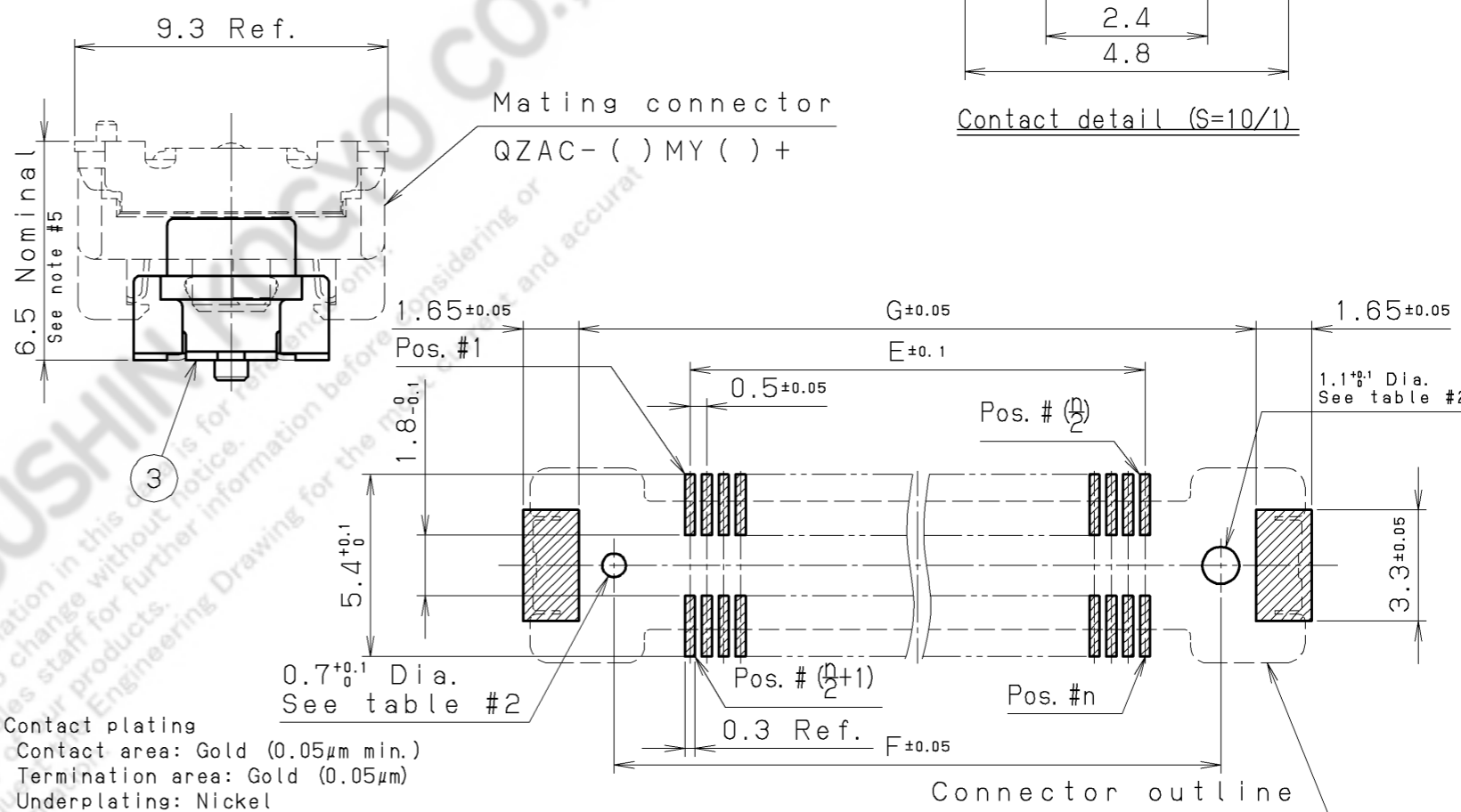
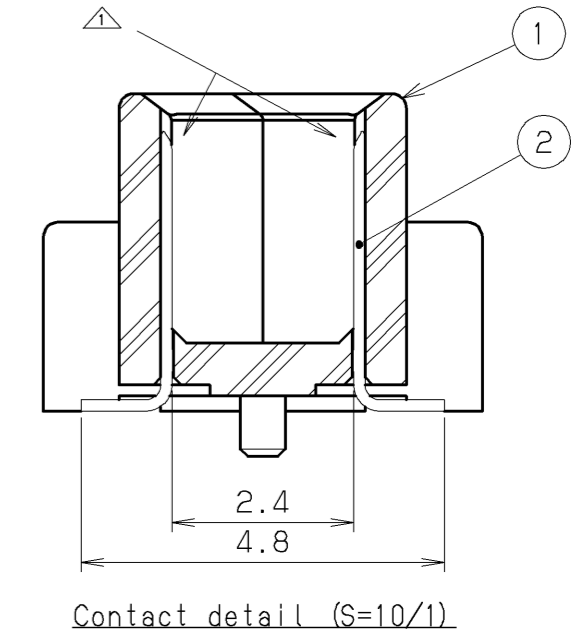


TABLE 2

Part no. : QZAC- () FYL-65+
Note: Arrangement of two through holes in P.C.B. layout is not necessary.
Part no. : QZAC- () FYBL-65+



- Note
- Contact plating
Contact area: Gold (0.05μm min.)
Termination area: Gold (0.05μm)
Underplating: Nickel
 - Mating connector P/N: QZAC- () MY () +
 - Stack height: 6.5mm
 - Coplanarity of SMT terminal is 0.1mm max.
 - Floating dimension: ±0.5mm (Z direction)

Recommended P.C.B. layout
(Connector side)

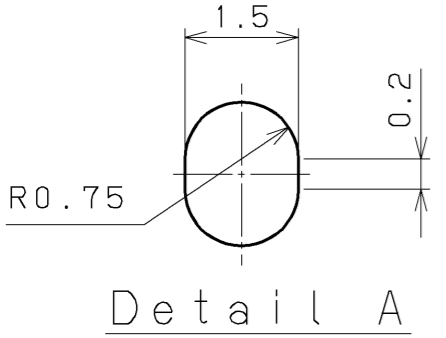
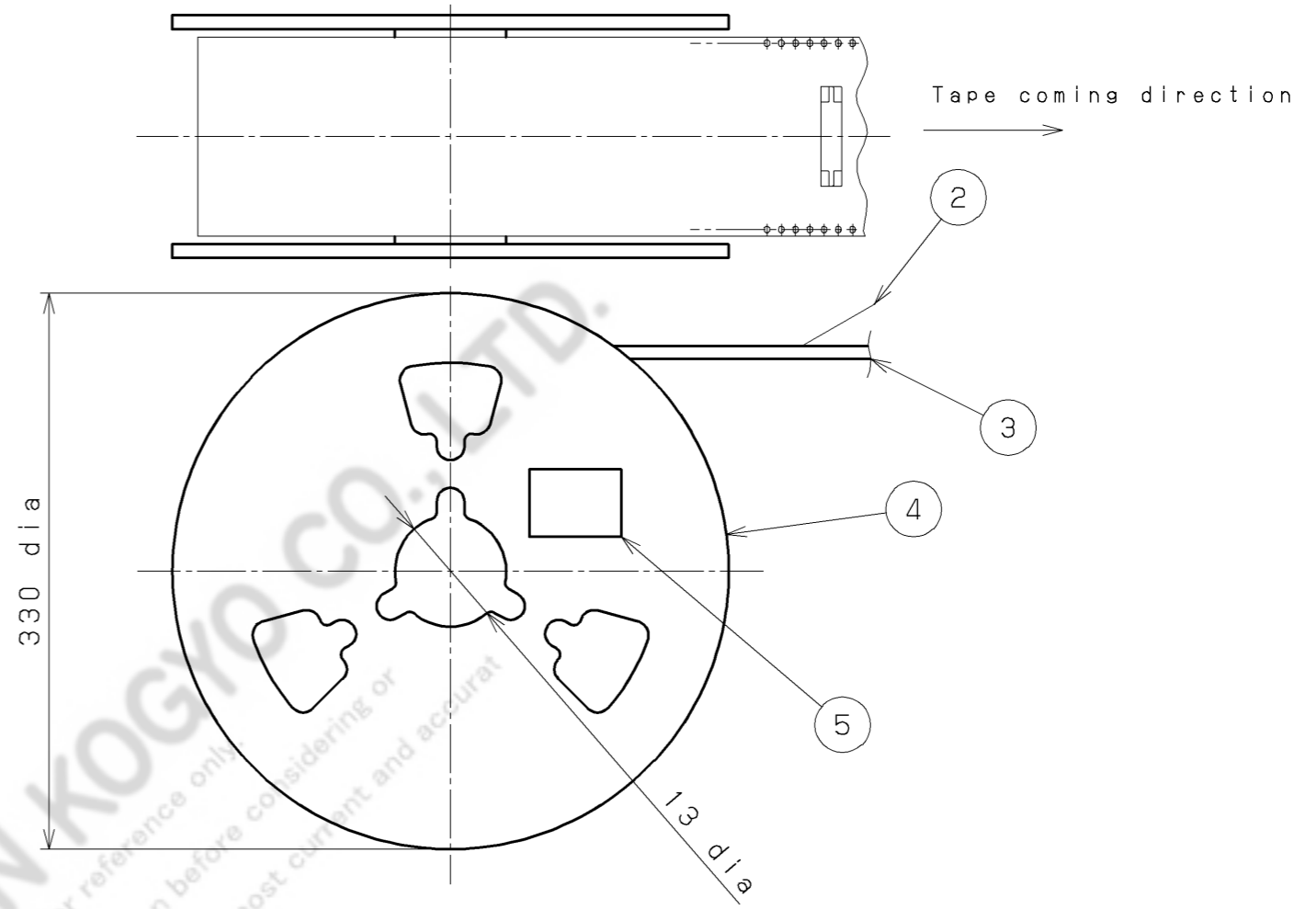
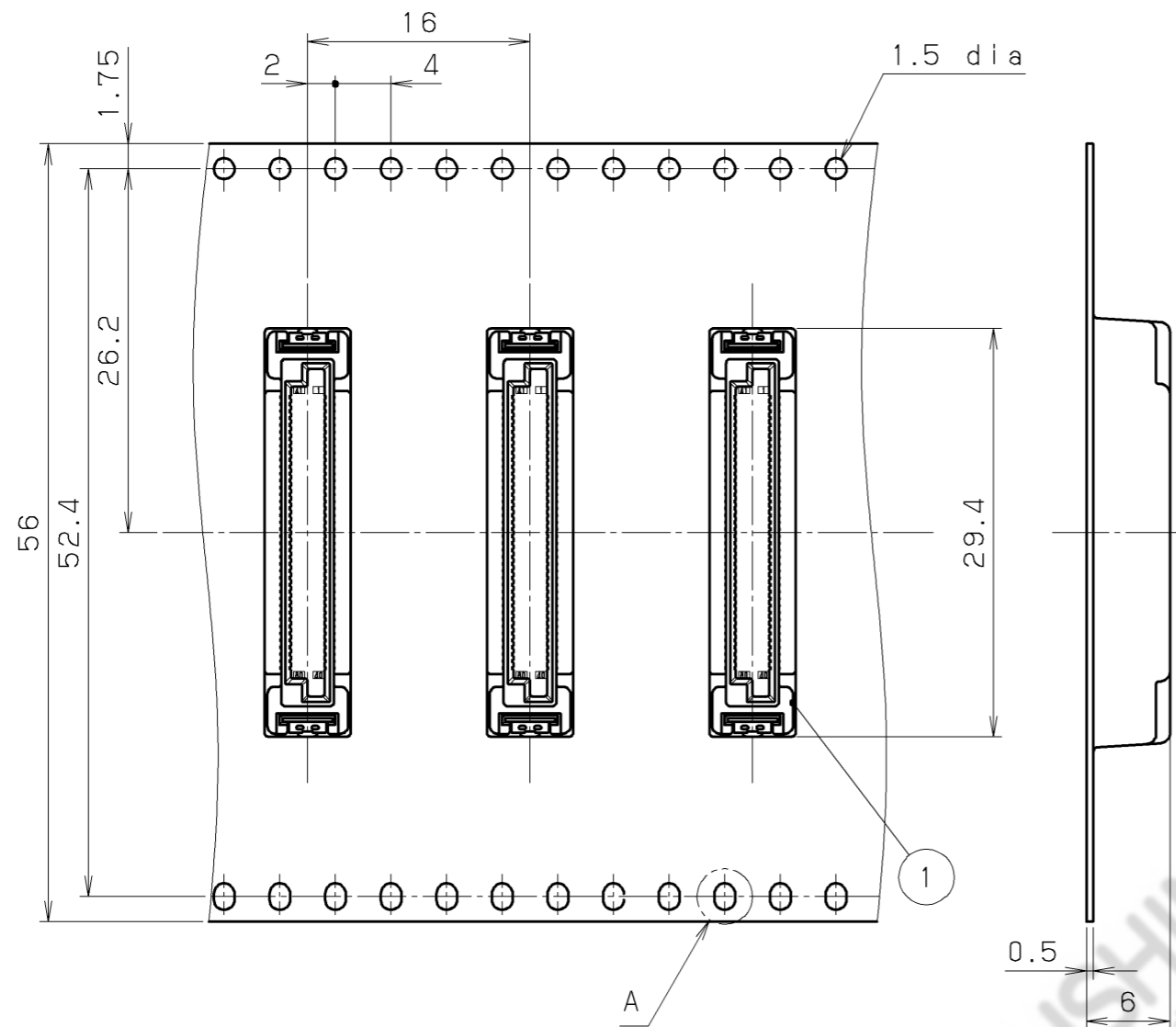
TABLE 1

Part No.	Pos. # (n)	A	B	C	D	E	F	G	H
QZAC-80FY () L-65+	80	29	25	23.51	20.91	0.5x (40-1) = 19.5	24	26.1	26.7

3	Hold down	Brass	2	Tin plating	
2	Contact	Phosphor bronze	n	See note #1	
1	Insulator	PA9T	1		UL94V-0 Black

LTR.	DATE	BY	REV.	DESCRIPT	No.	PART NAME	MATERIAL	QTY	FINISH	NOTE
------	------	----	------	----------	-----	-----------	----------	-----	--------	------

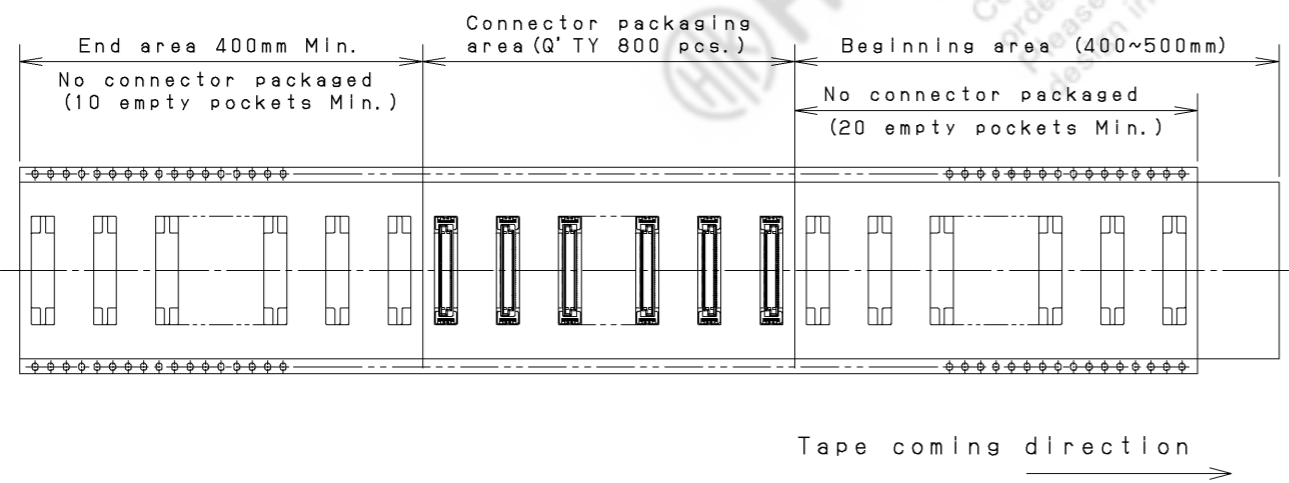
DATE		SCALE		UNIT		3RD. A. P		HONDA TSUSHIN KOGYO CO., LTD.			
Aug.11, 2006		5 / 1		mm (INCH)							
APP. DATE&REV.		DR.		DE.		CHK.		CHK.		APP.	
		Y. OHKI		Y. OHKI		T. SOGO		T. SATO		H. EBIHARA	
NAME		PART NO.		QZAC- () FY () L-65+		REV.		1 A			



RoHS compliant

Table.1

Part No.	Connector part No.
QZAC-80FY-65-TP+	QZAC-80FY-65+
QZAC-80FYB-65-TP+	QZAC-80FYB-65+
QZAC-80FYL-65-TP+	QZAC-80FYL-65+
QZAC-80FYBL-65-TP+	QZAC-80FYBL-65+



5	Label	Paper	1						
4	Reel	Paper	1						
3	Embossed tape	A PET	1						
2	Cover tape	P. E.	1						
1	Connector		800		See table #1				
改版 LTR.	年月日 DATE	変更者 BY	変更内容 REV. DESCRIPT	番号 No.	部品名称 PART NAME	材質 MATERIAL	個数 QTY	処 理 FINISH	備 考 NOTE
年月日 DATE	尺 度 SCALE	单 位 UNIT	3 角 法	本多通信工業株式会社 HONDA TSUSHIN KOGYO CO., LTD.					
Aug.11 (2006)	2 / 1	mm (INCH)	3RD. A. P	製 図 DR.	設 計 DE.	検 査 CHK.	検 査 CHK.	承 認 APP.	名 称 NAME
H. SATO	Y. OHKI	T. SOGO	T. SATO	S. FURUSAWA	0.5mm pitch stacking receptacle connector (SMT type) Stack height: 6.5mm Embossed tape and reel (RoHS)		製 番 PART NO.	QZAC-80FY () -65-TP+	

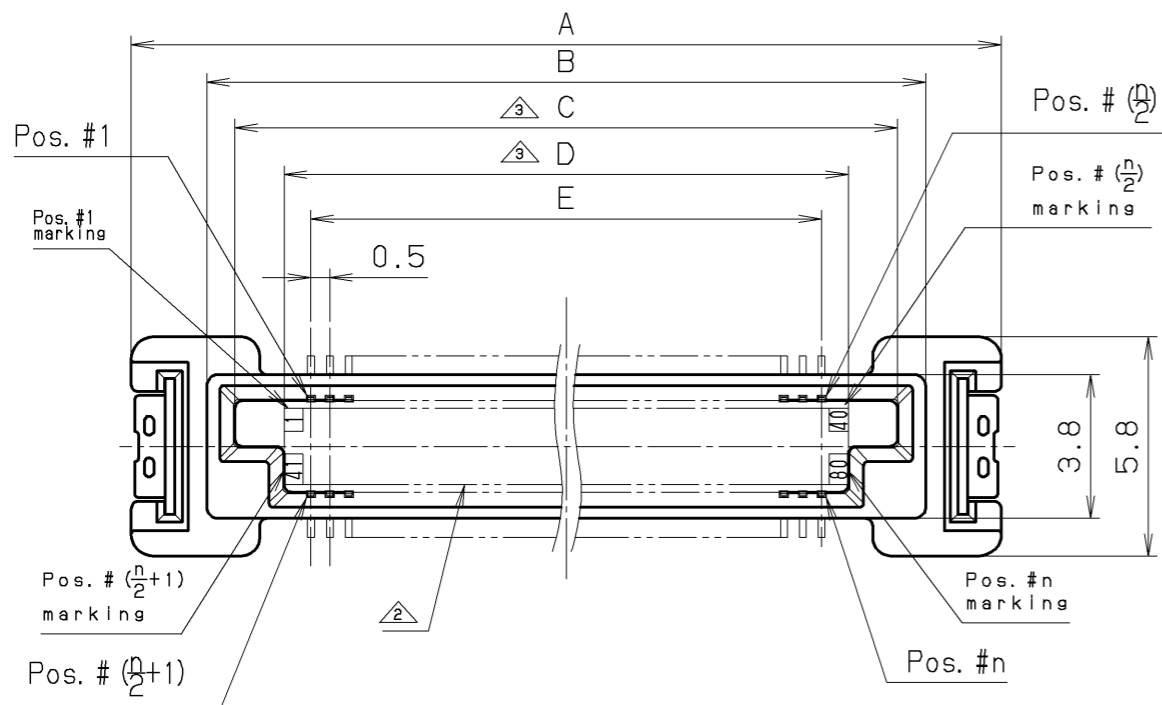
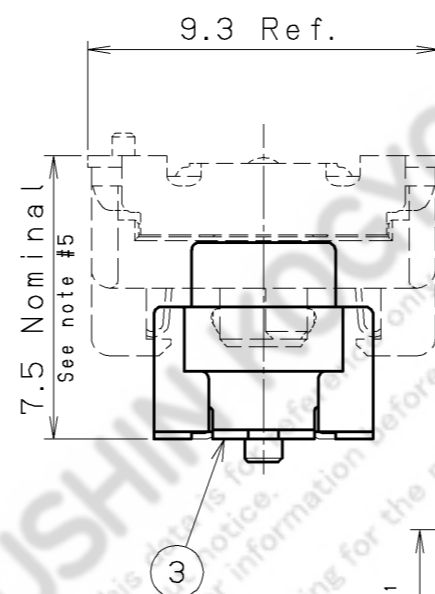
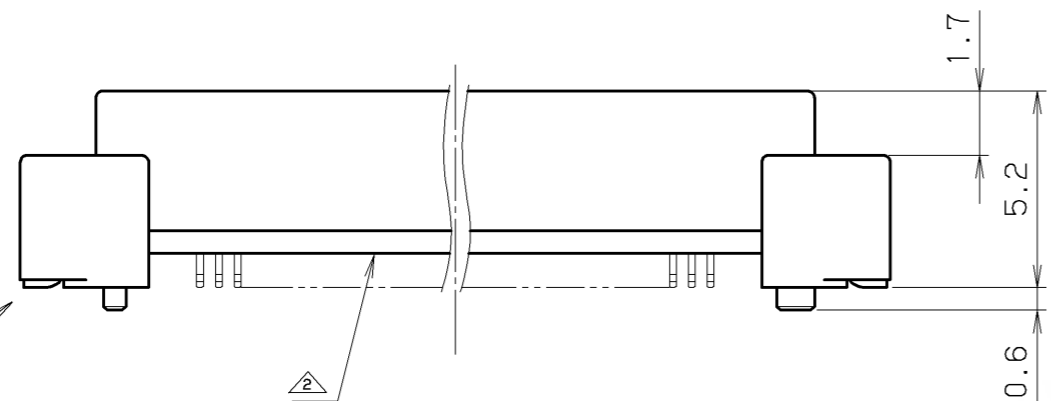
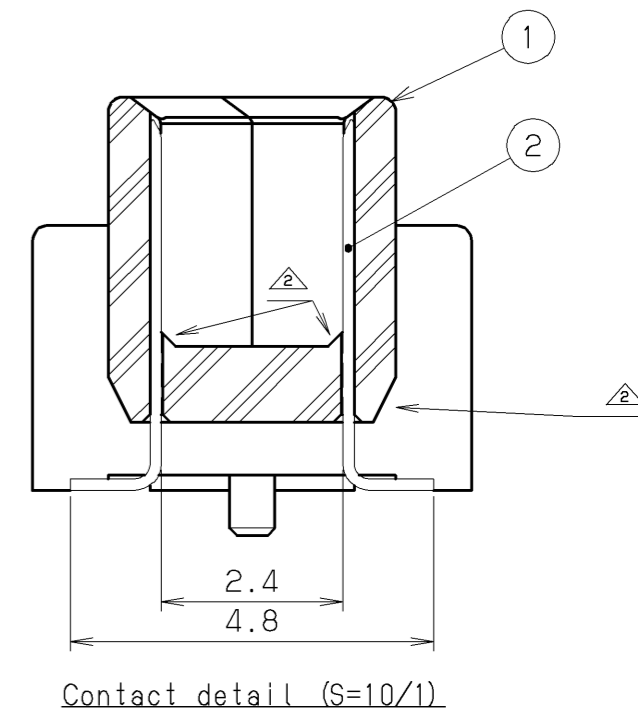
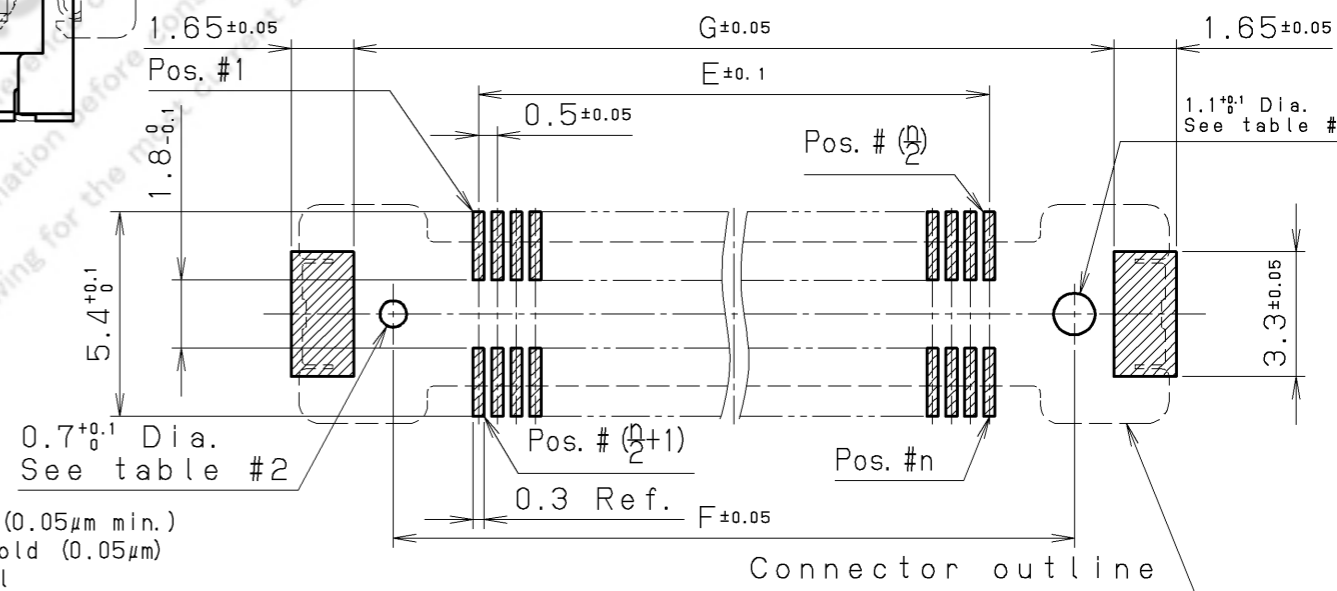


TABLE 2

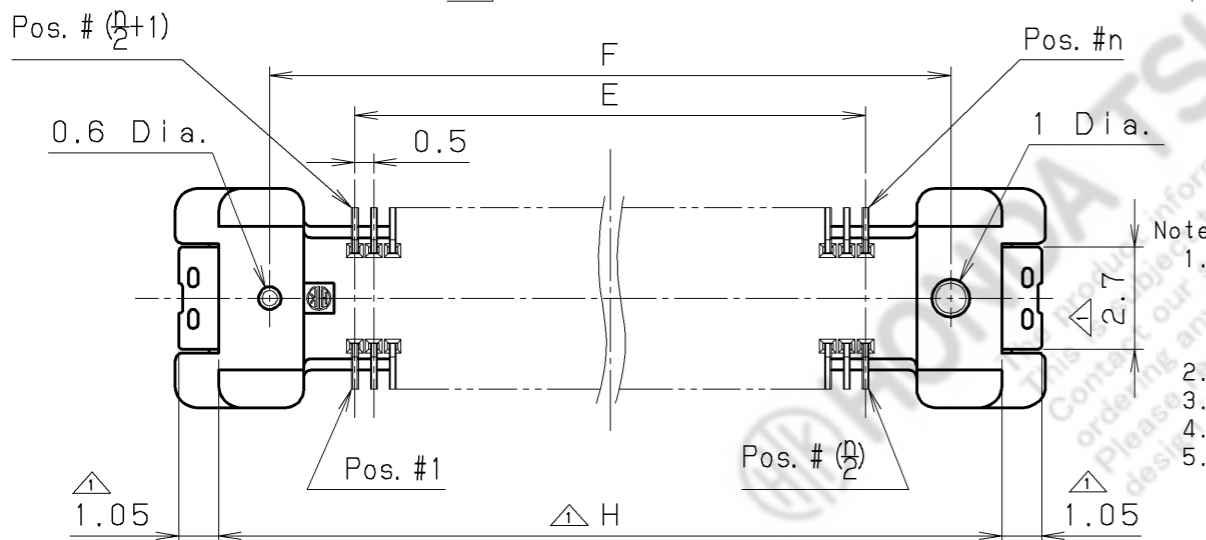
Part no. : QZAC- () FYL-75+
Note: Arrangement of two through holes in P.C.B. layout is not necessary.
Part no. : QZAC- () FYBL-75+



Mating connector
QZAC- () MY () +



Recommended P.C.B. layout
(Connector side)



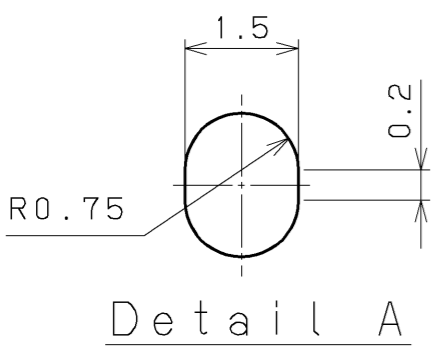
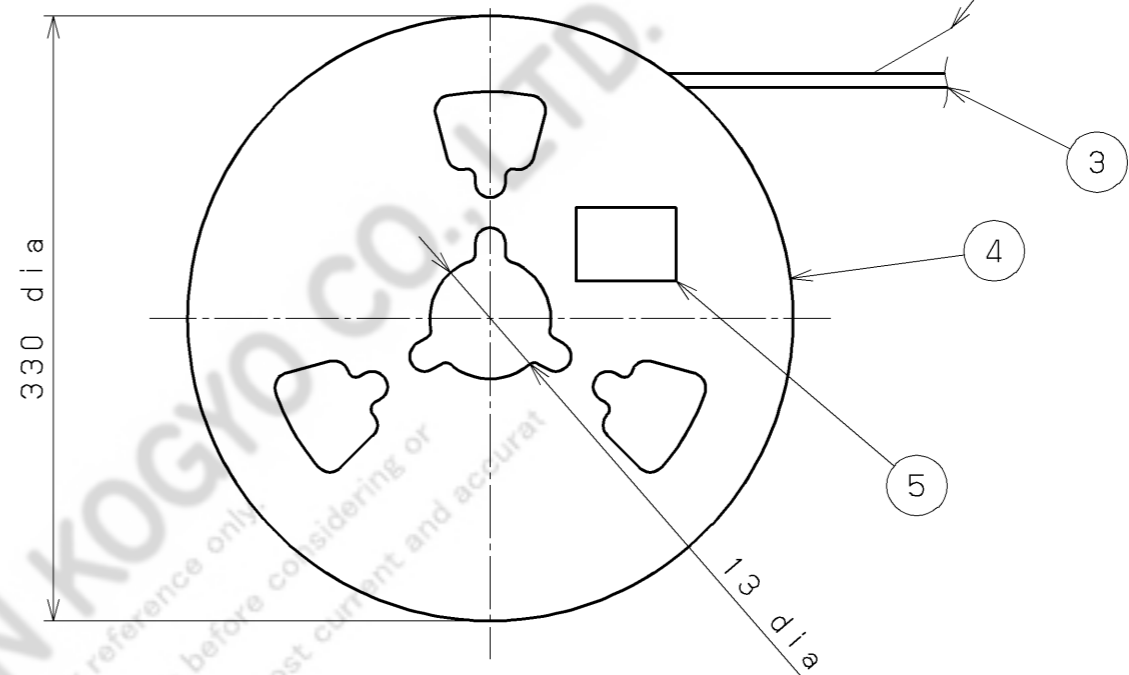
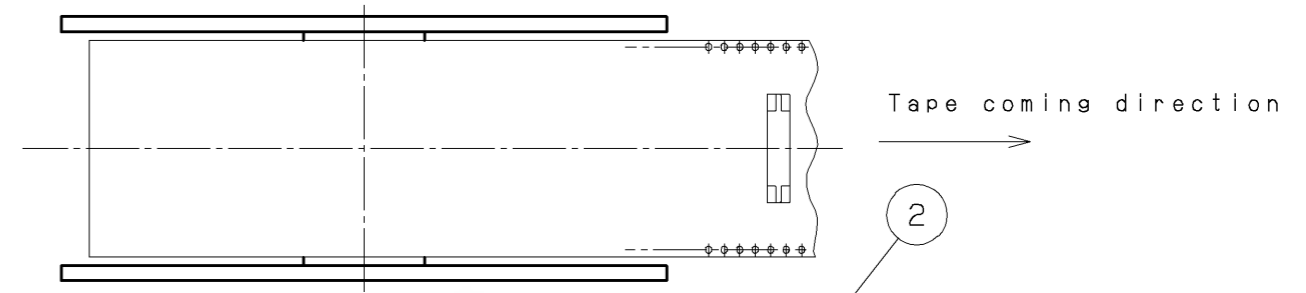
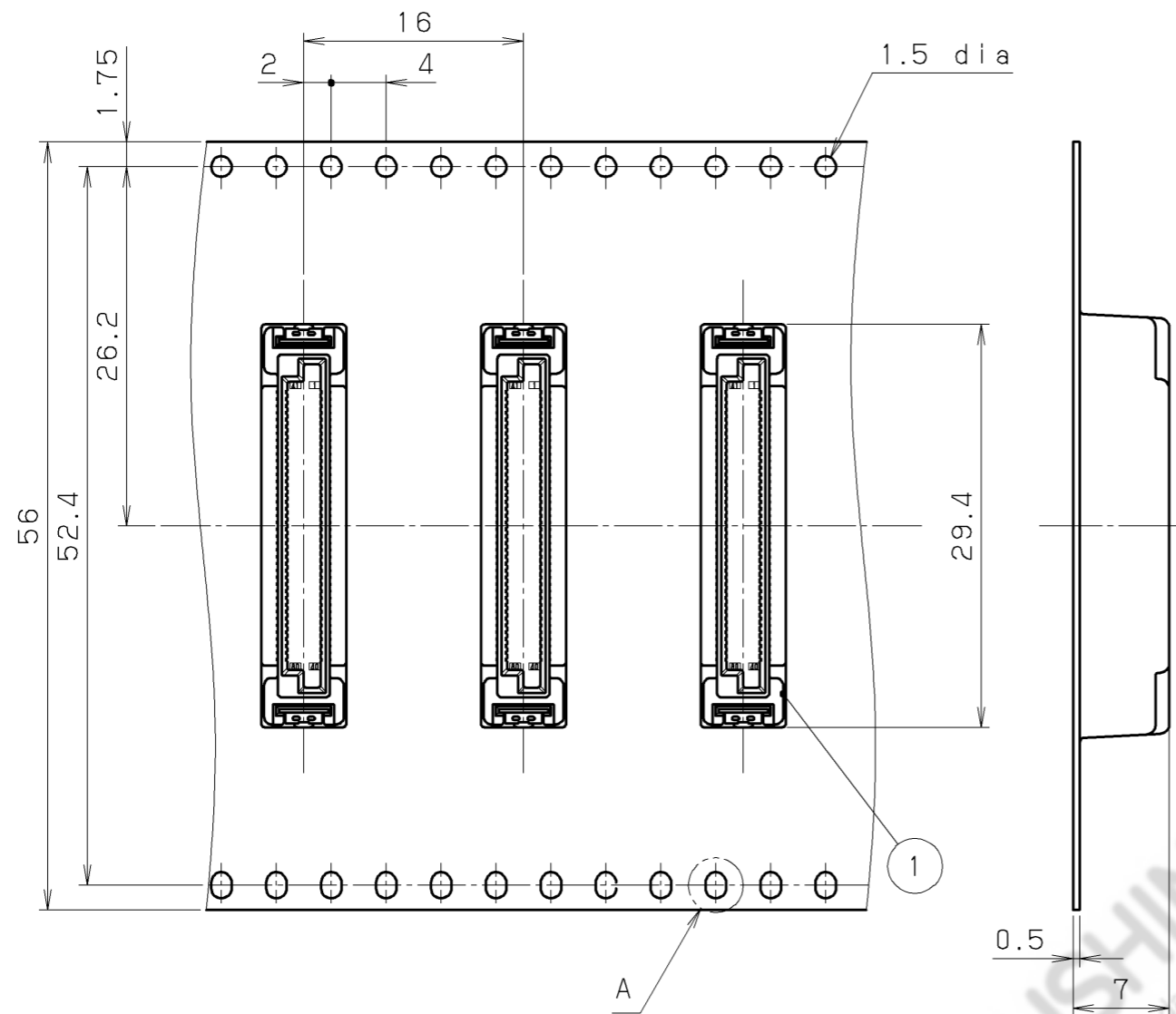
- Note
- Contact plating
Contact area: Gold (0.05μm min.)
Termination area: Gold (0.05μm)
Underplating: Nickel
 - Mating connector P/N: QZAC- () MY () +
 - Stack height: 7.5mm
 - Coplanarity of SMT terminal is 0.1mm max.
 - Floating dimension: ±0.5mm (Z direction)

TABLE 1

Part No.	Pos. # (n)	A	B	C	D	E	F	G	H
QZAC-80FY () L-75+	80	29	25	23.51	20.91	0.5x(40-1) = 19.5	24	26.1	26.7

LTR.	DATE	BY	REV.	DESCRIPT	No.	PART NAME	MATERIAL	QTY	FINISH	NOTE
Ⓐ	Dec.21 2005	Y. O	3	Change shape	Hold down	Brass	2	Tin plating		
Ⓑ	Oct.24 2005	Y. O	2	Change shape	Contact	Phosphor bronze	n	See note #1		
Ⓐ	Aug.05 2005	Y. O	1	Change shape	Insulator	PA9T	1			UL94V-0 Black

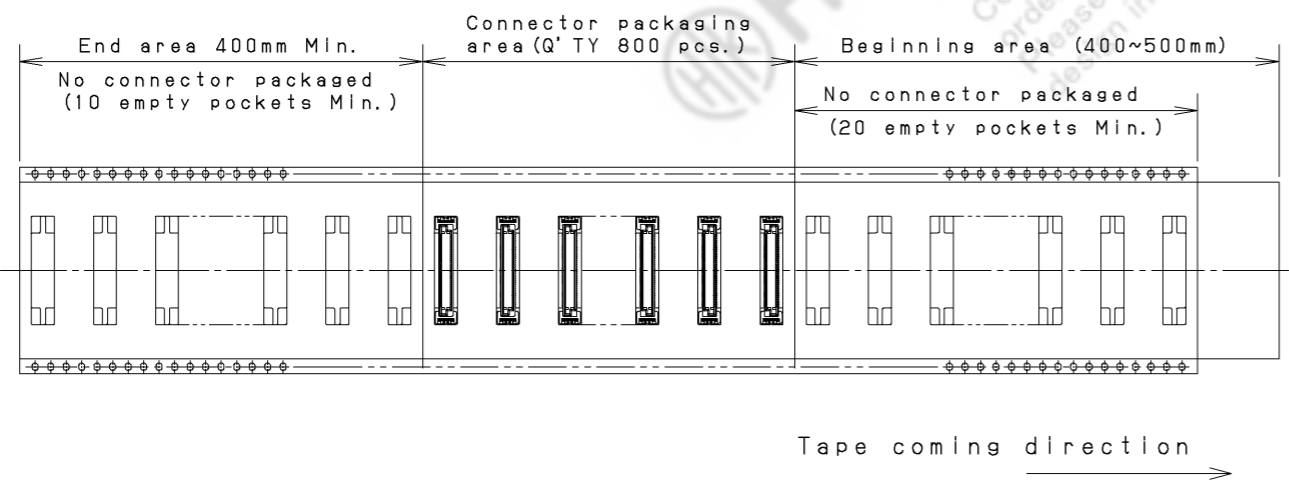
DATE	SCALE	UNIT	3RD. A. P	HONDA TSUSHIN KOGYO CO., LTD.		
Jul.27, 2005	5 / 1	mm (INCH)		DR.	DE.	CHK.
APP. DATE&REV.				Y. OHKI	Y. OHKI	T. SOGO
				CHK.	APP.	NAME
				T. SATO	S. FURUSAWA	0.5mm pitch stacking receptacle connector (SMT type) Stack height: 7.5mm (RoHS)
						PART NO. QZAC- () FY () L-75+
						REV. 3D



RoHS compliant

Table.1

Part No.	Connector part No.
QZAC-80FY-75-TP+	QZAC-80FY-75+
QZAC-80FYB-75-TP+	QZAC-80FYB-75+
QZAC-80FYL-75-TP+	QZAC-80FYL-75+
QZAC-80FYBL-75-TP+	QZAC-80FYBL-75+



5	Label	Paper	1		
4	Reel	Paper	1		
3	Embossed tape	A PET	1		
2	Cover tape	P. E.	1		
1	Connector		800		See table #1

改版 LTR.	年月日 DATE	変更者 BY	変更内容 REV. DESCRIPT	番号 No.	部品名称 PART NAME	材質 MATERIAL	個数 QTY	処理 FINISH	備考 NOTE
	Aug.22(2005)								
製 DR.	設 DE.	計 CHK.	検 CHK.	図 APP.	本多通信工業株式会社 HONDA TSUSHIN KOGYO CO., LTD. 名称 NAME 0.5mm pitch stacking receptacle connector (SMT type) Stack height: 7.5mm Embossed tape and reel (RoHS) 製番 PART NO. QZAC-80FY () -75-TP+				
Y. OHKI	Y. OHKI	T. SOGO	T. SATO	S. FURUSAWA					