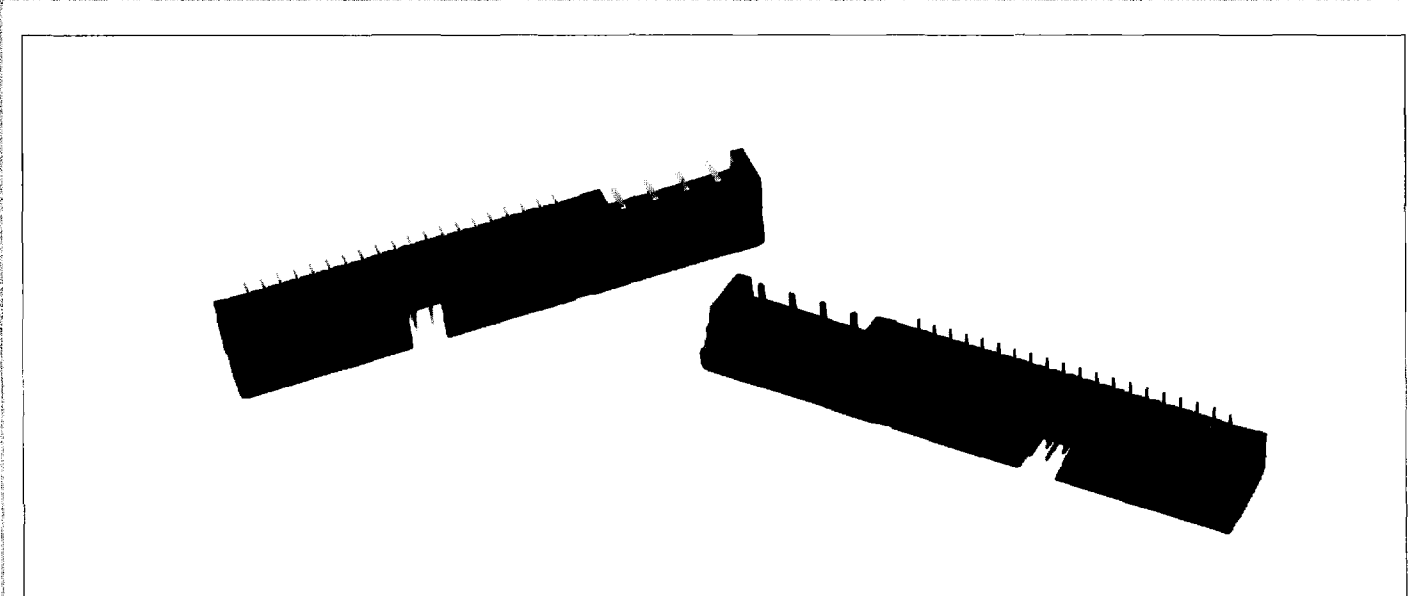


Connector for CD-ROM and HDD unit IDE Interface



DZK Series



APPLICATION

CD-ROM, HDD, Magneto-Optical Disc drive unit, electronic equipments etc.

FEATURES

- Hybrid connector with signal and power contacts.
- Available with board locks or support pins.
- Two different contact tail lengths(2.9mm and 2mm)

SPECIFICATION

Rated voltage250V AC(r.m.s)
Rated current1A/signal contact
 4A/power contact
Dielectric withstanding ...500V AC(r.m.s) 1 minute
 voltage
Insulation resistance1000M Ω min. at 500V DC
Contact resistance20m Ω max.

MATERIAL / FINISH

Signal Contact ...Copper alloy/Gold over Nickel plate
Power Contact ...Copper alloy/Tin over Nickel plate
InsulatorPBT resin(UL94V-O)/Black
Support pinBrass/Solder plate
Board LockCopper alloy/Solder plate

DDKLS008

DDK SALES OFFICES

• DDK Ltd.(JAPAN)		
MOOKA, JAPAN	:Tel. 0285-84-7861	Fax. 0285-82-9036
SINGAPORE	:Tel. 271-1311	Fax. 273-6532
• DDK ELECTRONICS, INC.(U.S.A.)		
SANTA CLARA, CALIFORNIA	:Tel. 408-980-8344	Fax. 408-980-9750
TORONTO(CANADA)	:Tel. 905-470-1346	Fax. 905-470-1479
• DDK ELECTRONICS(EUROPE), LTD.(LONDON)	:Tel. 0959-5-61224	Fax. 0959-5-61034
• DDK(THAILAND)LTD.	:Tel. 02-529-1428	Fax. 02-529-1427

ENTERPRISE TECHNOLOGY

MANUFACTURERS REPRESENTATIVE
249 AYER ROAD - 5 - HAYWARD, ILLA 01451
TEL. 508-772-6003 FAX 508-772-9878

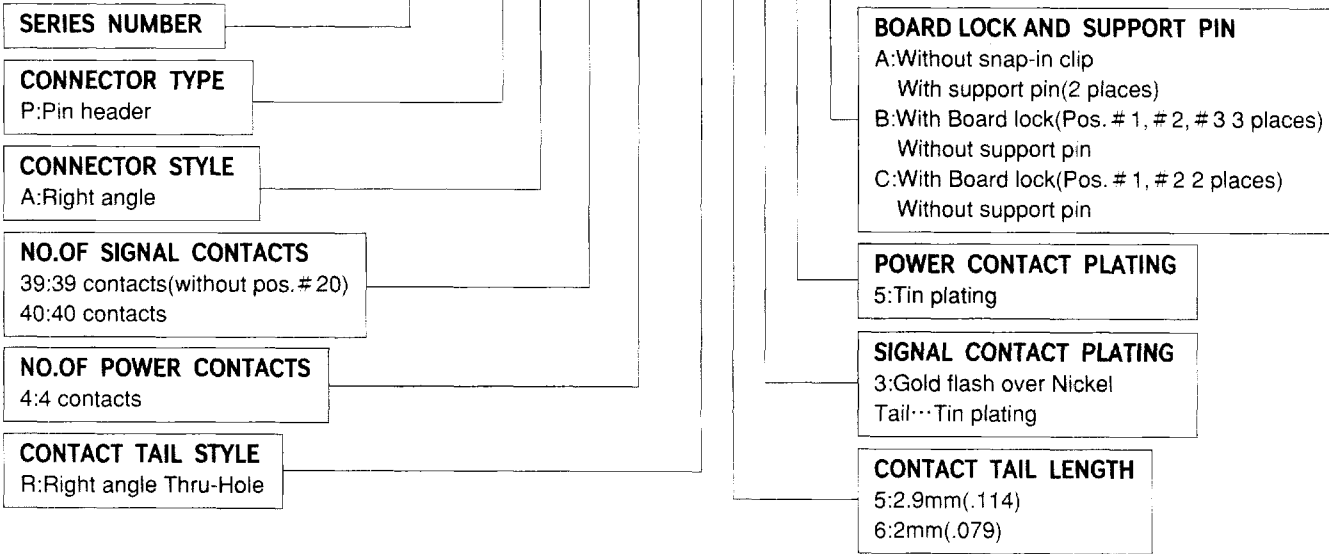
DZK Series



Ordering Information

Unit:mm(inch)

DZK-PA394-R535C



Dimensions

- DZK-PA404-RX35A(with support pin 2 places)

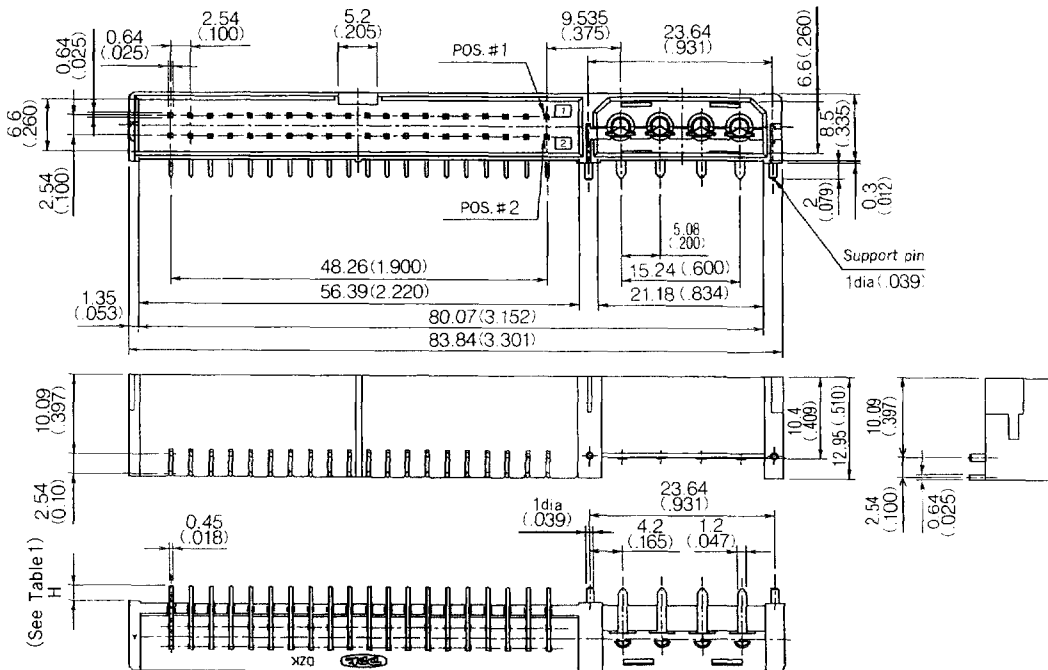


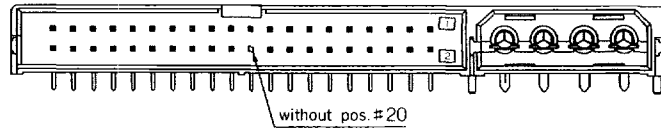
TABLE 1

Part Number	Tail length H
DZK-PA404-R535A	2.9(.114)
DZK-PA404-R635A	2(.079)

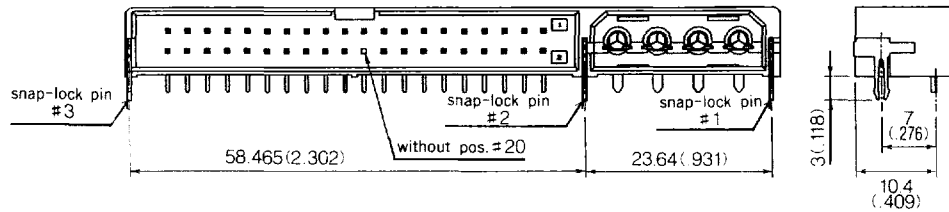
DZK Series

Unit:mm(inch)

- DZK-PA394-RX35A(without pos. # 20 contact, with sport pin)



- DZK-PA394-RX35B(without pos. # 20 contact, with board lock)



PCB Mounting dimension

Thickness:1.6(.063)

