

# Surface Mount Low Frequency Crystal

Series **CT5**

- Ultra thin plastic molded package
- High reliability and excellent shock and heat resistance
- Tight stability option



Part Numbering Example: **CT5 Z - A1 B5 C5 - 32.768K D12.5**

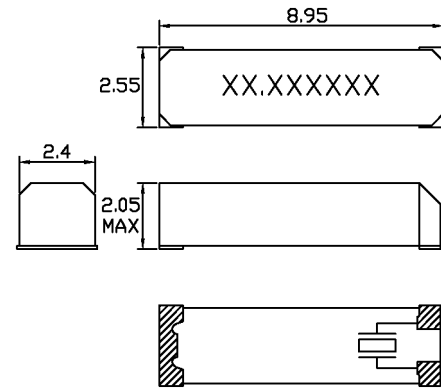
CT5	Z	A1*	B5	C5	76.800K	D12.5
SERIES	ADDED FEATURES	OPERATING TEMP.	STABILITY	TOLERANCE	FREQUENCY	LOAD CAP.
CT5	BLANK = BULK PACK Z = TAPE AND REEL	A0 = -10°C ~ +60°C A1 = -10°C ~ +70°C A2 = -40°C ~ +85°C A3 = -55°C ~ +125°C	B1 = ±100 B2 = ± 50 B3 = ± 30 B4 = ± 10 B5 = ± 20	C1 = ±100 C2 = ± 50 C3 = ± 30 C4 = ± 10 C5 = ± 20		D6 = 6.0 pF D12.5 = 12.5 pF

*\*NOTE: The above ABC combinations cover basic specification options. We tailor our crystal specifications to meet customer requirements. Please contact our sales department if you don't see exactly what you need.*

## Specifications:

<b>Frequency Range:</b>	32.768 KHz 76.800 KHz
<b>Operating Temperature:</b>	-20°C ~ +70°C
<b>Temperature Coefficient:</b>	-(0.035 ± 0.008) ppm/°C <sup>2</sup>
<b>Frequency Tolerance:</b>	± 50 ppm (at 25°C) ± 20 ppm <i>Standard</i> ± 10 ppm
<b>Load Capacitance:</b>	6 pF, 12.5 pF
<b>Resistance:</b>	50,000Ω Max
<b>Standard:</b>	Shunt Capacitance: 0.9 pF typ. Aging: ± 3 ppm/year Max Drive Level: 1.0 μW Max Packaging: Tape and Reel (3K per Reel)

## CT5



RECOMMENDED SOLDER PAD LAYOUT

