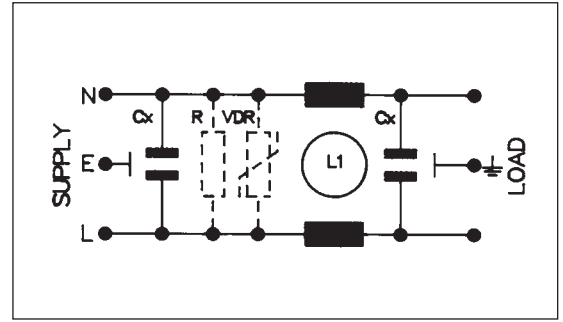


BULGIN Polysnap® Power Inlet Modules

IEC Inlet - Medical High Performance Filter



- EMI filter options for Polysnap modules BZV03, BZV04, BZV09, BZV10, BZV17, BZV18, BZH09, BZH10, BZH17, BZH18, BZM27, BZM28
- PX0575 style IEC inlet
- Using PS07/B style filter
- Medical, High Performance Attenuation Filter



Bxxxx/Dxx x x / xx

Polysnap Part No.	Filter Type	Rating	L/C Circuit	Additional Components	Polysnap Part No.
From Polysnap Selection	D = Medical High Performance	01 = 1A 03 = 3A 06 = 6A 10 = 10A	1 = Version 1 3 = Version 3	0 = None 1 = Bleed (R) Resistor 2 = Surge (VDR) Protection 3 = "R" plus "VDR"	From Polysnap Selection


Rating	Version	L1	Cx
1 AMP	1	2 x 2.8mH	2 x 15nF
"	2		
"	3	2 x 10mH	2 x 47nF
3 AMP	1	2 x 1.8mH	2 x 15nF
"	2		
"	3	2 x 3mH	2 x 47nF
6 AMP	1	2 x 0.7mH	2 x 15nF
"	2		
"	3	2 x 0.7mH	2 x 47nF
10 AMP	1		
"	2		
"	3	2 x 0.17mH	2 x 47nF

Part No. Example

BZV09/D0630/04 =

BZV style Polysnap module with PX0575 IEC power inlet, filter rated at 6 amps, L/C circuit version 3 (L1 = 2 x 0.7mH, Cx = 2 x 47nF), without bleed resistor or surge protection device fitted, 6.3mm tabs and two fuseholders.

Filter Specification

Max. Working Voltage:	250V a.c. 50-400Hz
Earth Leakage Current:	<100µA (typically 5µA, 250V, 50Hz)
Temperature Range:	-25°C to +85°C
Max. Ambient Temp.: (@ Full Load)	40°C (derate linearly to 0A @ 85°C)
Test Voltage:	2700V d.c. 2 secs. Lines to Earth 1100V d.c. 2 secs. Live to Neutral
Approvals:	
Attenuation Curves:	See PS07/B filter, page 121