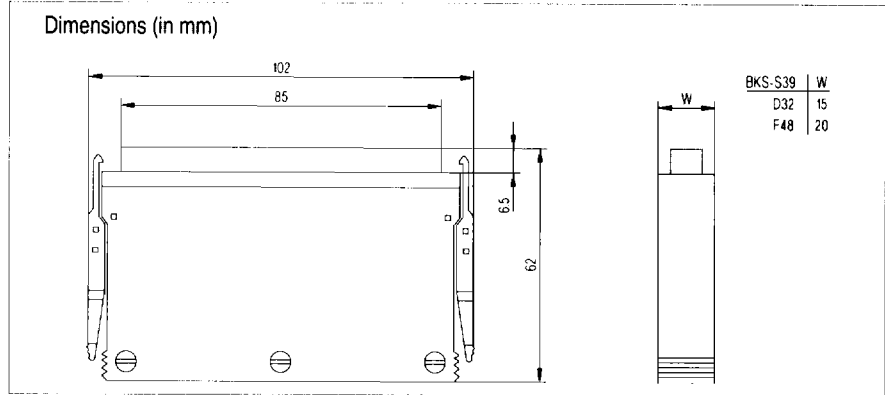


# BKS-S39 Connectors/Cardholders

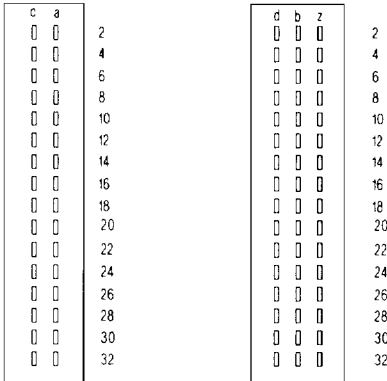


**BKS-S39-D32 for use with BALLUFF BTA-P (Digital Card used with BTL-P Transducer)**

**BKS-S39-F48 for use with BALLUFF BMC/BPC (Programmable Switches) and BTA-A (Analog Card used with BTL-P Transducer) and BIS-C (Electronic Identification System BIS-B-408)**

## Wiring Connections

View: looking at wiring side of connectors



## Description

DIN 41612 connectors, complete with junction shell and strain relief.

## Mechanical Data

Connector Shell Material: Plastic with locking levers  
Wire terminations: Solder connections

## Ordering Codes

**BKS - S39 - \_\_\_ - \_\_\_ - 00**

D32 = Connector assembly to use with BTA-P Digital Card

F48 = Connector assembly to use with BMC or BPC Programmable Switches or BTA-A Analog Card or BIS-C-480 I.D. System Processor Card

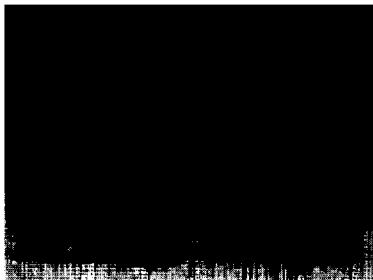
For connector only order the following:

D32 = BKS-Z / S39-D32-69001-698

F48 = BKS-Z / S39-F48-69001-712

For complete Card Holder with the above connectors, see page titled "Card Holder for BIS and BTA Eurocard" in this section.

## BKS-S39 Cardholders



NOTE: Product appearance varies from manufacturer to manufacturer; contact factory prior to purchase for exact specifications.

Balluff Part # (ordering code)	Use with Processor Series	DIN style Connector	Weidmuller Part Number	Phoenix Part Number	Murrelelektronik Part Number	Terminal Strips Marked
BKS-S39-D32-SMCH	BTA Digital Cards	D32	SKHD 32 S	SKBI 64/D32	SKP 32/ID	a & c
BKS-S39-F48-SMCH**	BIS-C-480	F 48	SKHF 48 S	SKBI 64/F48	SKP 48/IF	b, d & z
BKS-S39-F32-SMCH	BTA Analog Cards	F32	SKHF 32 S (Z/B)	SKBI 32/F/ZB	SKP 32/IDF	b & z

\*\*BKS-S39-F48-SMCH may be used in place of BKS-S39-F32-SMCH, but not vice versa.