

# MICROPROCESSOR AT49 4 PADS SMD CRYSTAL



12.5 x 4.95 x H

ABSM3A



RoHS  
Compliant

## FEATURES:

- Excellent all-purpose surface-mount crystal.
- Four pad land pattern compatible with common plastic molded designs.

## APPLICATIONS:

- Home electronics
- Computers, modems, and communications
- Clock applications
- Microprocessors

## STANDARD SPECIFICATIONS:

PARAMETERS	
ABRACON P/N:	ABSM3A Series
Frequency:	3.579545 MHz to 54 MHz
Operation mode:	AT-strip ( see options) 3.579545 MHz - 30.00 MHz (Fundamental AT) 40.00 MHz - 54.00 MHz (3rd OT AT) 30 MHz - 48.00 MHz (Fundamental BT)
Operating temperature:	- 10°C to + 60°C (see options)
Storage temperature:	- 40°C to + 85° C
Frequency tolerance:	± 50 ppm max. (see options)
Frequency stability over:	± 100 ppm max. (see options)
Equivalent series resistance (max.):	See Table 1
Shunt capacitance C0:	7.0pF max.
Load capacitance CL:	18.0pF (see option)
Drive level:	100mW max., 100µW correlation
Aging (per year) @ 25° C:	± 5 ppm max.
Insulation resistance:	500 MΩmin. at 100 Vdc ± 15 Vdc

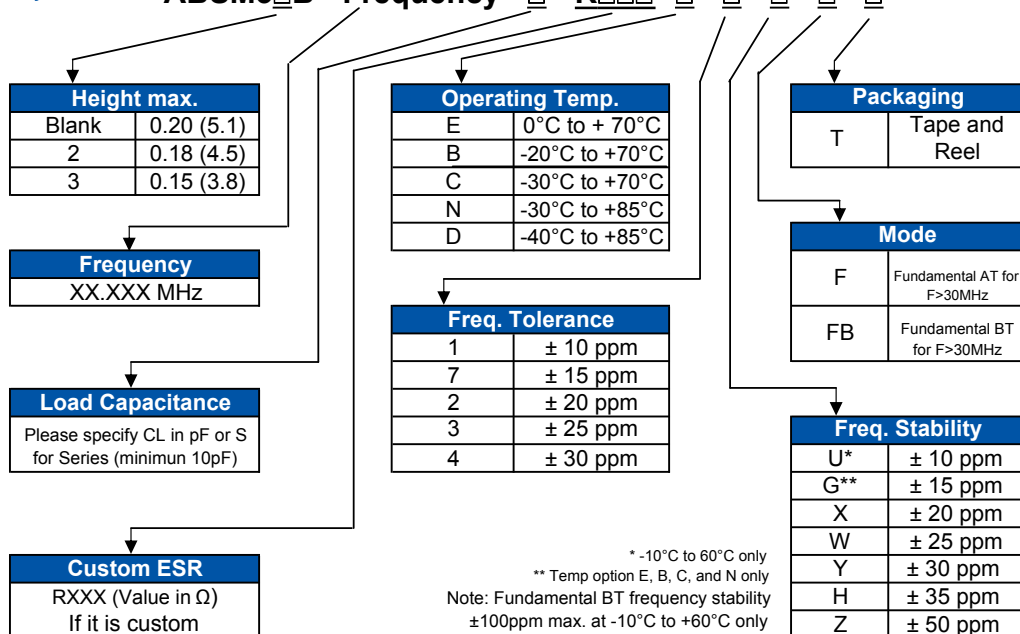
Table 1 Standard ESR

Frequency (MHz)	ESR(Ω) max.
3.579545 - 3.999	180
4.000 - 4.999	150
5.000 - 6.999	100
7.000 - 14.999	50
15.000 - 50.0 (fund)	40
28.01 - 60.0 (3rd overtone)	100

## OPTIONS & PART IDENTIFICATION:

(Left blank if standard)

ABSM3□B - Frequency - □ - R□□□ - □ - □ - □ - □ - □



# MICROPROCESSOR AT49 4 PADS SMD CRYSTAL



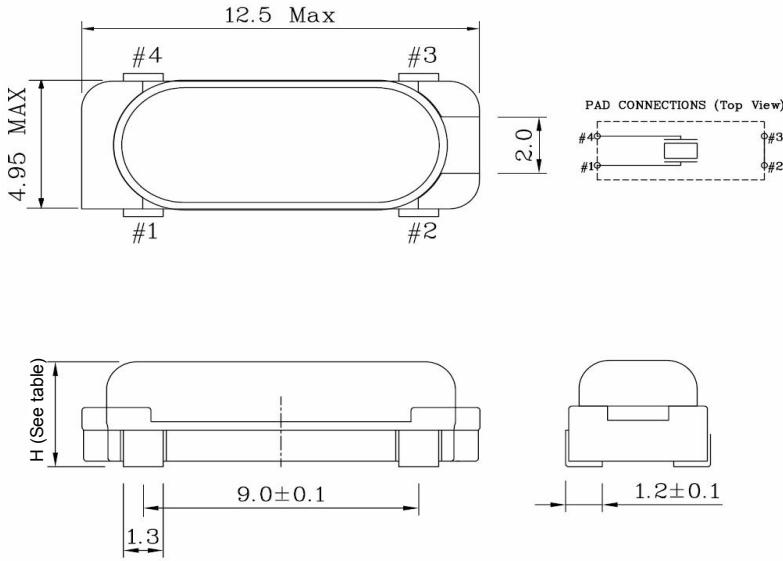
12.5 x 4.95 x H

ABSM3A

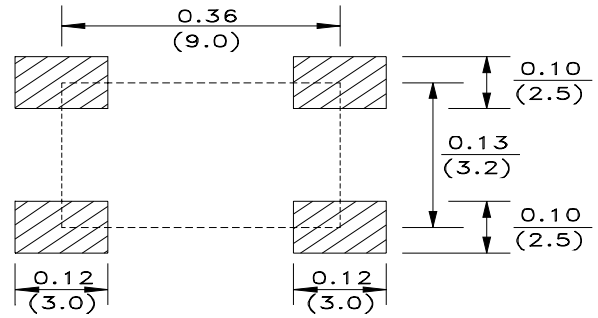


RoHS  
Compliant

## OUTLINE DRAWING:



## Recommended land pattern

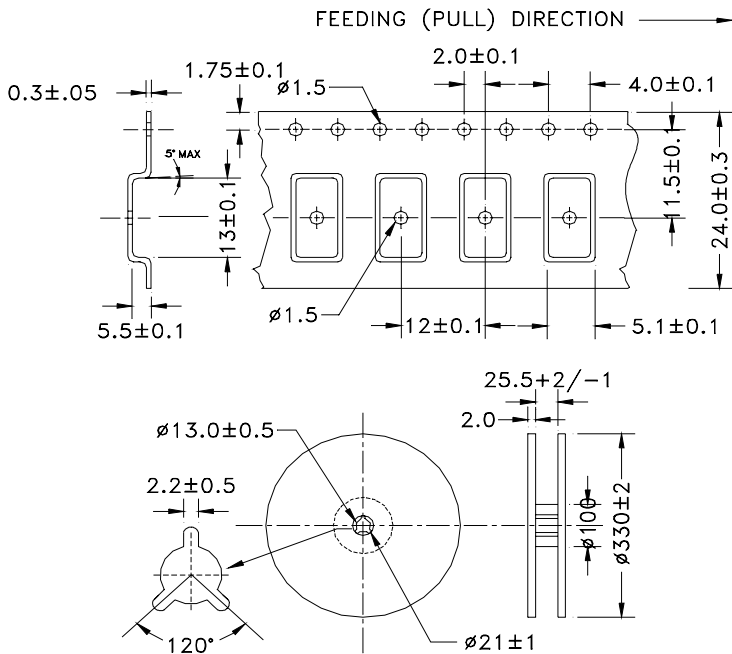


Part No	H (max.)
ABSM3A	0.20 (5.1)
ABSM32A	0.18 (4.5)
ABSM33A	0.15 (3.8)

Dimensions: Inches (mm)

## TAPE & REEL:

T= tape and reel (1,000pcs/reel)



Dimensions: mm

## REFLOW PROFILE

