

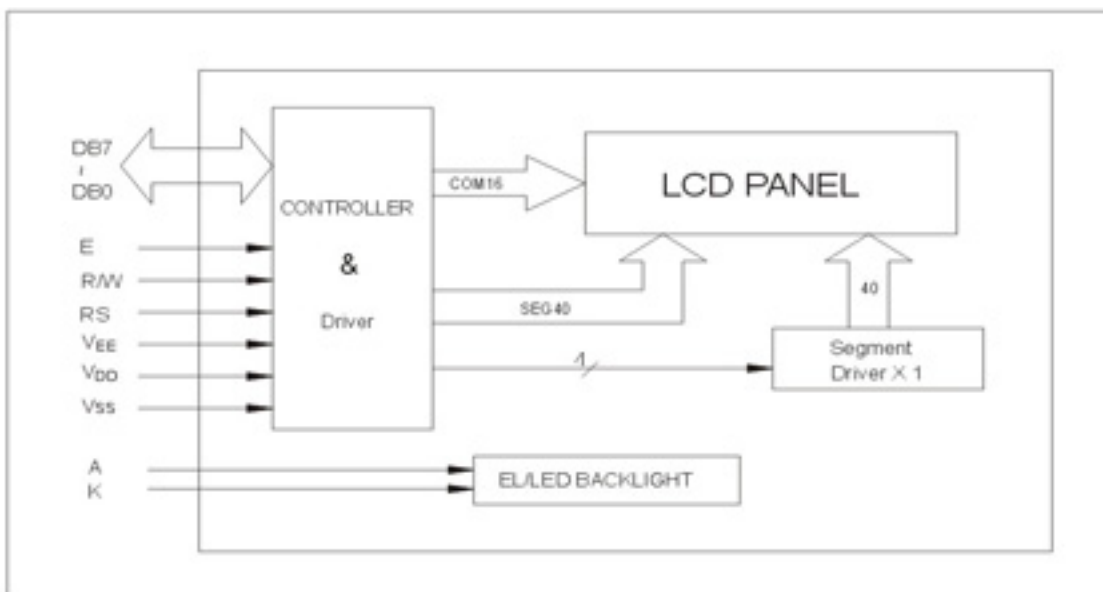
## 2 MECHANICAL DATA

ITEM	SPECIFICATION	UNIT
Module Size(WXHXT)	80.0 x 36.0 x 9.5(LED:13.0)	mm
Viewing Area(WXH)	64.5 x 13.5	mm
Character Font(WXH)	5 x 7 with Cursor	dots
Character Size(WXH)	2.95 x 4.35	mm
Character Pitch(WXH)	3.65 x 5.05	mm
Dot Size(WXH)	0.55 x 0.5	mm

## 3 PIN CONFIGURATION

PIN	SYMBOL	SIGNAL DESCRIPTION
1	V <sub>SS</sub>	GND(0V)
2	V <sub>DD</sub>	Power Supply(5V)
3	V <sub>EE</sub>	Supply Voltage LCD Driver
4	RS	Register Select-LOW=Instruction,HIGH=Data
5	R/W	Read/Write LOW=MPU to LCM,HIGH=LCM to MPU
6	E	Eable R/W=LOW:Data are talking over at falling edge R/W=HIGH:Data can be read at E=1
7 to14	DB <sub>0</sub> to DB <sub>7</sub>	Data Bus-Software Selectable 4 or 8bit Mode
15	A	Anode of LED Unit
16	K	Cathode of LED Unit

## 4 BLOCK DIAGRAM



## 5 ABSOLUTE

PARAMETER
Supply Voltage Log
Supply Voltage Drive
Input Voltage
Operating Temp.
Storage Temp.

## 6

ITEM
Supply Voltage (Log)
Supply Current (Log)
Input Voltage
Output Voltage
LCD Operating Voltage
Supply Voltage LCD Drive

Note(1) : ( ) Value is high  
Note(2) : Electro-Optical

## 7

### LED

ITEM
Supply Voltage
Power Consumption
Luminous