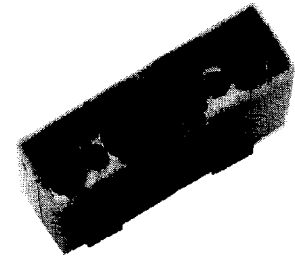


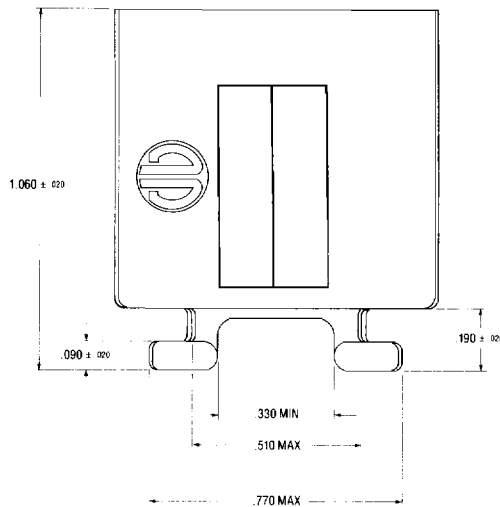
YHLZ Modular Terminal Block System

The top-feed YHLZ modular terminal block system offers maximum versatility and reliability in critical support applications. Widely used in all high performance commercial aircraft manufactured in the United States, YHLZ modules utilize a high pressure concept to optimize electrical and mechanical performance. The YHLZ modules have also been selected for use in nuclear generating stations, railway control centers, in navigation and ground control instrumentation and in hydrofoil type vessels.

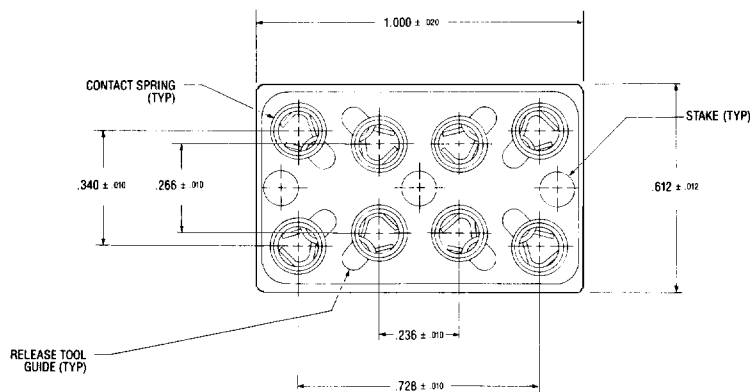
Installation flexibility is a characteristic of the YHLZ series. Track mounted, the modules may be removed or rearranged individually without the need to dismount the entire assembly. Crimp removable, positive locking contacts accepting a wide range of wire sizes are inserted or extracted easily with a simple hand tool. Burndy offers a full range of installation tooling from hand-held ratchet types for limited applications to automatic bench mounted machines for volume applications. The highly reliable contacts are manufactured of a copper alloy and plated with gold.



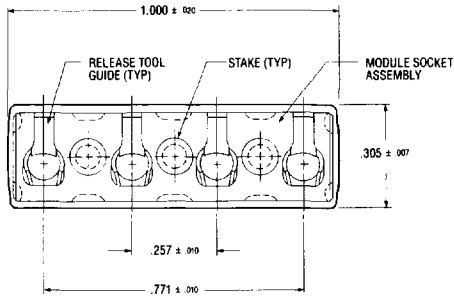
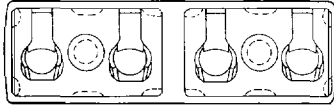
YHLZ Standard Module Block Assembly



YHLZ - 8



HYPIN contact for use with YHLZ see pg. 6-10.



Material

Body	Nylon
Color	YHLZ - 8 and YHLZ -44, Black YHLZ - 22, Grey
Contact Spring	Beryllium Copper
Retaining Spring	Beryllium Copper
Finish	Contact spring 30 microinches minimum gold over 100 microinches minimum copper

Weight

YHLZ-22	4.0 grams max.
YHLZ-44	4.0 grams max.
YHLZ-8	11 grams max.

Performance Characteristics

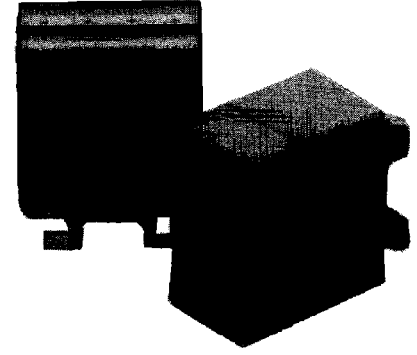
Current Rating	20 amps maximum per module
Dry Circuit Rating	10 microvolts minimum open circuit voltage
Bus Retention	30 lbs. minimum
Contact Retention	30 lbs. minimum

High Density Blocks

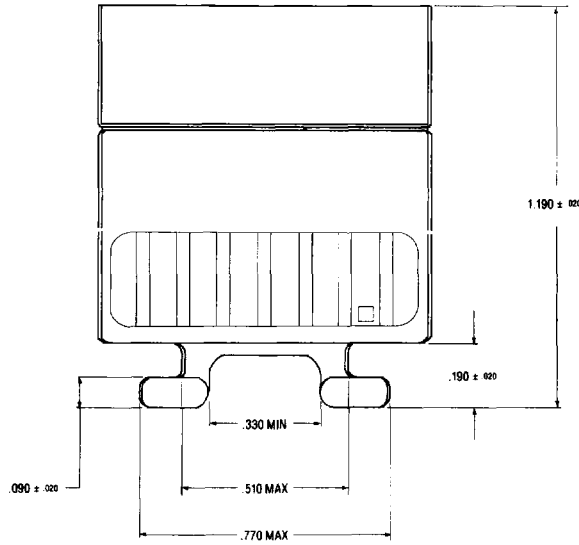
Installations operating at reduced current ratings but requiring higher contact density are efficiently accommodated using YHLZ high density modules.

While providing the same reliability and convenience of the original YHLZ series, the high density version utilizes the Burndy ARM 20W-1DJ5 (M39029/11-145) contact.

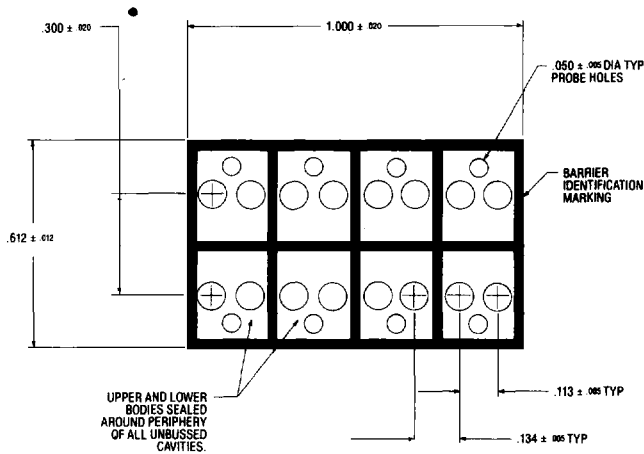
Three bussing arrangements are available and are rated at 7.5 amps maximum per bussing unit. High density modules feature a bonded two piece molded construction and are interchangeable with the regular YHLZ series and are mounted in the same tracks.



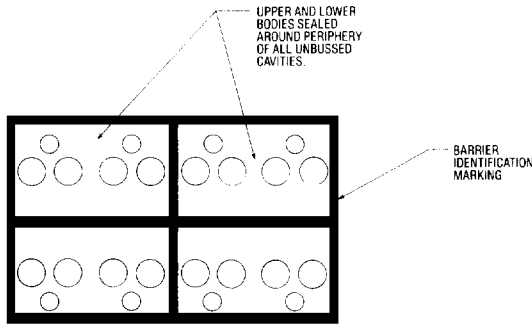
YHLZ High Density Block Assembly



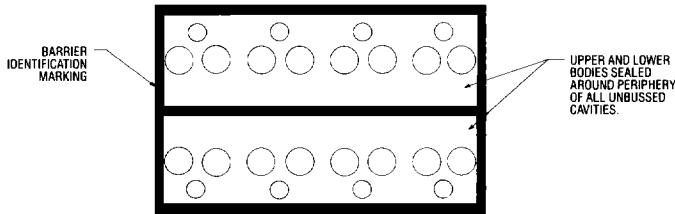
YHLZ - 16 - 2 8 Units of 2 Bussed Together



YHLZ 16 - 4 4 Units of 4 Bussed Together



YHLZ 16 - 8 2 Units of 8 Bussed Together



Material

Body	Nylon Zytel 153HSL
Color	White
Contact Spring	Beryllium Copper Alloy
Retaining Spring	Beryllium Copper Alloy
Finish	Contact spring 30 microinches minimum gold over 100 microinches minimum copper

Accommodates

Contact	ARM20W-1DJ5 (M39029/11-145)
Wire Range	#20, #22, #24 AWG
Insertion & Removal Tool	M81969/1-02

Performance

Current Rating	7.5 amps
Contact Resistance	30 millivolts
Contact Retention	20 lbs. minimum
Bus Retention	25 lbs. minimum

Weight

	13 grams maximum
	.455 oz. maximum

YHLZ TERMINAL MODULES

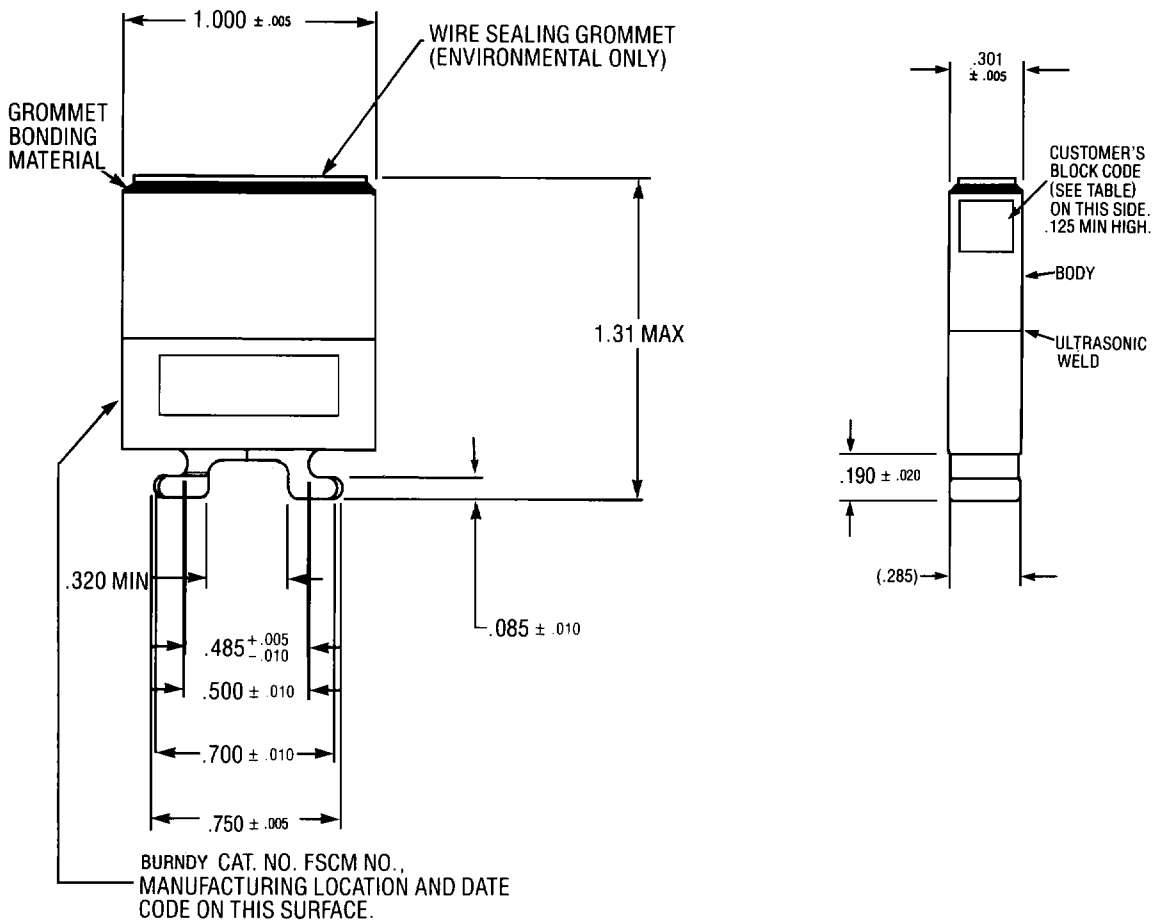
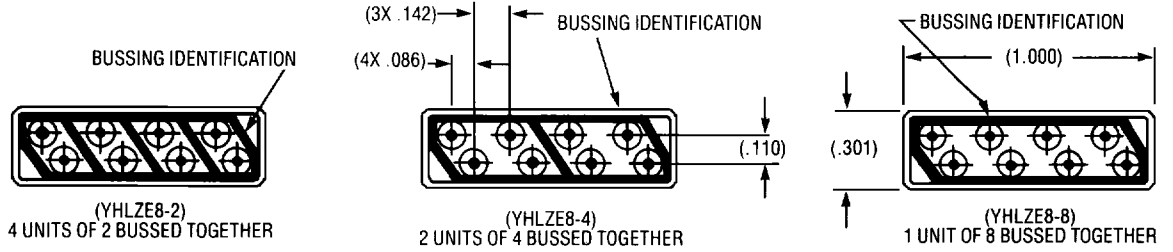
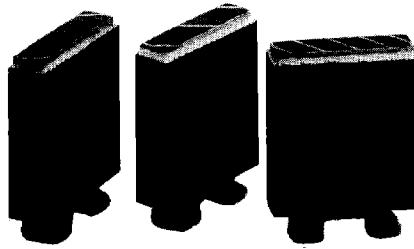
6-4

YHLZ TERMINAL MODULES

YHLZE8 Module

High density, sealed version. Tested in accordance with Mil Spec 1344, Method 1004, Altitude immersion (equates to sea level to 70,000 ft. altitude)

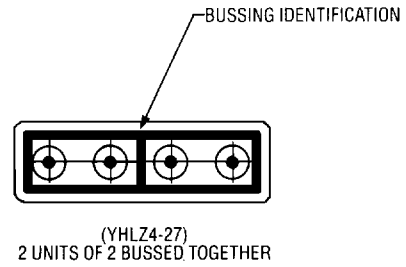
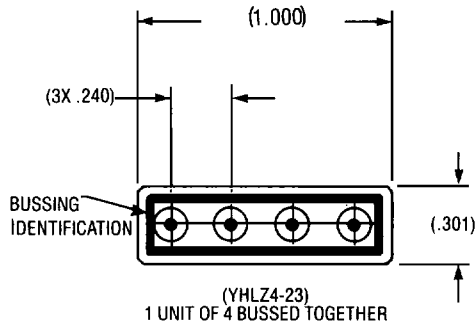
Accommodates Mil-C-39029 contact, No. 20 size.



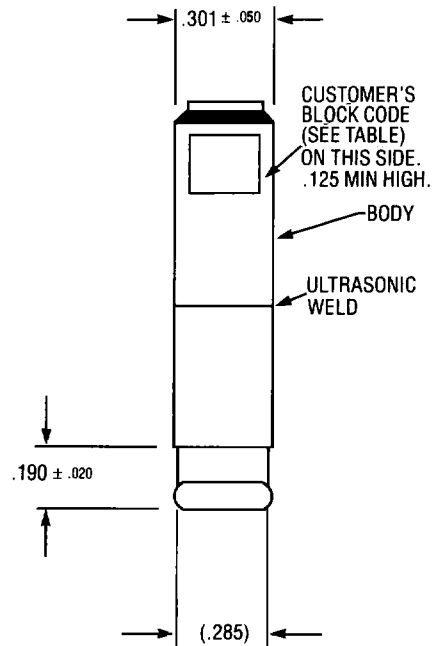
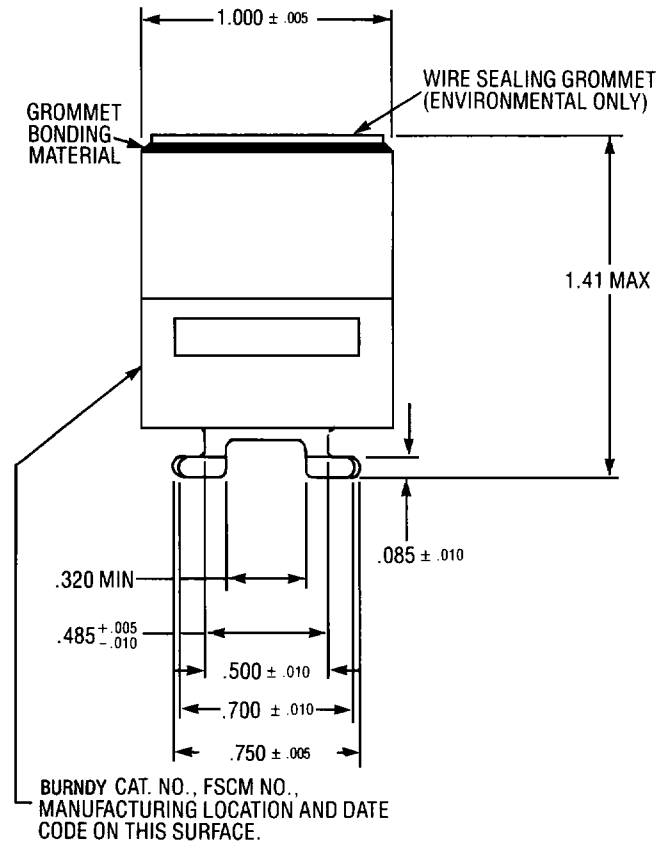
YHLZ4 Module

High density, sealed version. Tested in accordance with Mil Spec 1344, Method 1044. Altitude immersion (equates to sea level to 70,000 ft. altitude)

Accommodates Mil-C-39029 Contact, No. 16 size



YHLZ TERMINAL MODULES

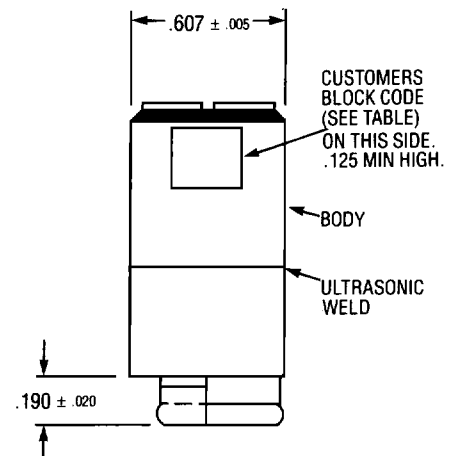
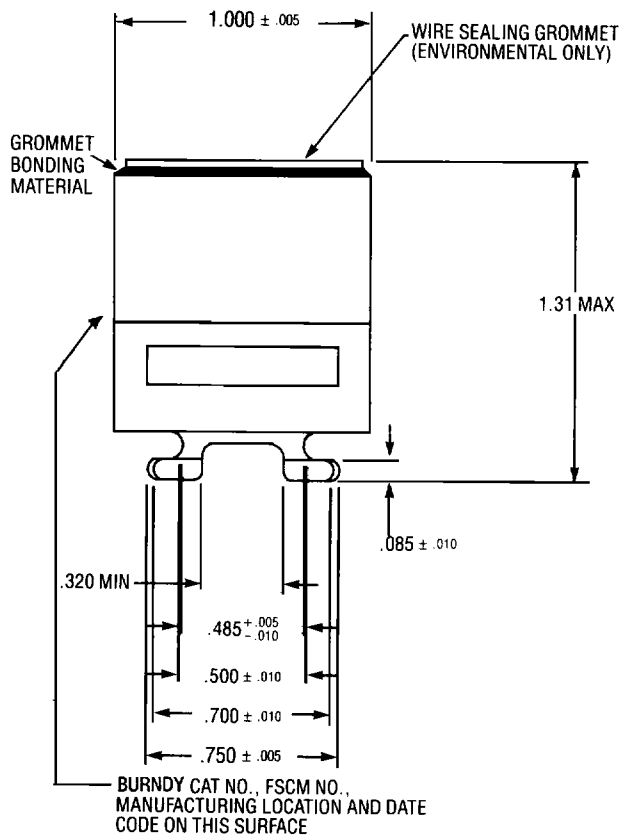
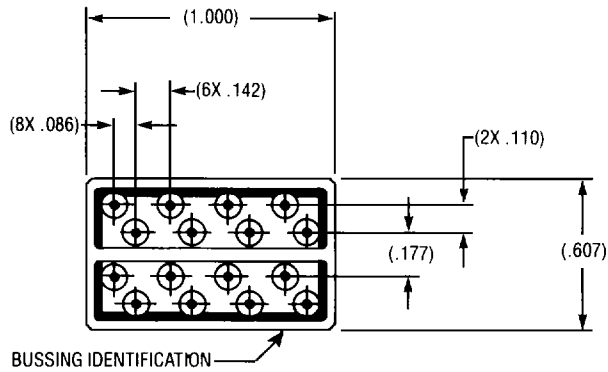
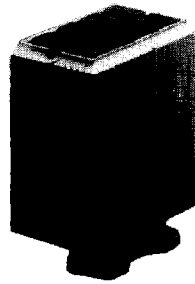


6-6

YHLZE16-25 Module

High density, sealed version. Tested in accordance with Mil Spec 1344, Method 1004, Altitude immersion (equates to sea level to 70,000 ft. altitude)

Accommodates Mil-C-39029, No. 20 size contact



Material

Body	Polyetherimide
Color	Green
Socket Contacts, Retention Clips	Beryllium copper per QQ-C-530
Bus Plate (YHLZE16-25 only)	Beryllium copper per QQ-C-530
Wire Sealing Grommet	Silicone rubber, 35-55 Shore A hardness

Finish

Bus Plate	None (YHLZE16-25 only)
Socket Contacts and Retention Clips	50 microinches min nickel. Selective gold plating 50 microinches min over 50 min nickel at pin contact bearing areas

Accommodates

YHLZE8-___ & YHLZE16-25	
Pin Contacts	Size 20 M39029/4-110 (Burndy Cat. No. REM20W-1DJ5)
Wire Size	#20, #22 and #24
YHLZ4-___	
Pin Contacts	Size 16 M39029/4-111 (Burndy Cat. No. REM16M-1DJ5)
Wire Size	#16, #18 and #20

Insertion & Removal Tool

M81969/14-11	YHLZE8-___ and YHLZE16-25 only
M81969/14-03	YHLZ4-___ only

Current Rating

YHLZE-___ YHLZE16-25 only	10.0 amps per bus assembly at max. temperature
YHLZ4-___	20.0 amps per bus assembly at max. temperature