

SPECIFICATIONS

Mechanical

Mating Force: 5.0Pounds max.(RJ45) 7.7Pounds max.(USB)
Unmating Force: 10Pounds max.(RJ45) 2.2Pounds min.(USB)
Durability: 1000 Cycles(RJ45) 1500 Cycles(USB)

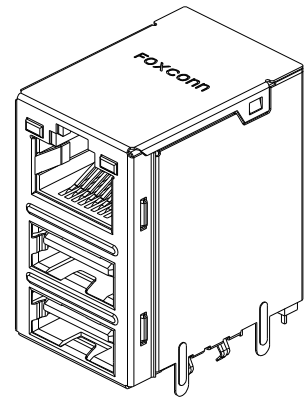
Electrical

Current Rating: 1.5A max.(RJ45) 1.0A(USB)
Dielectric Withstanding Voltage: 1000V(RJ45) 750V(USB)

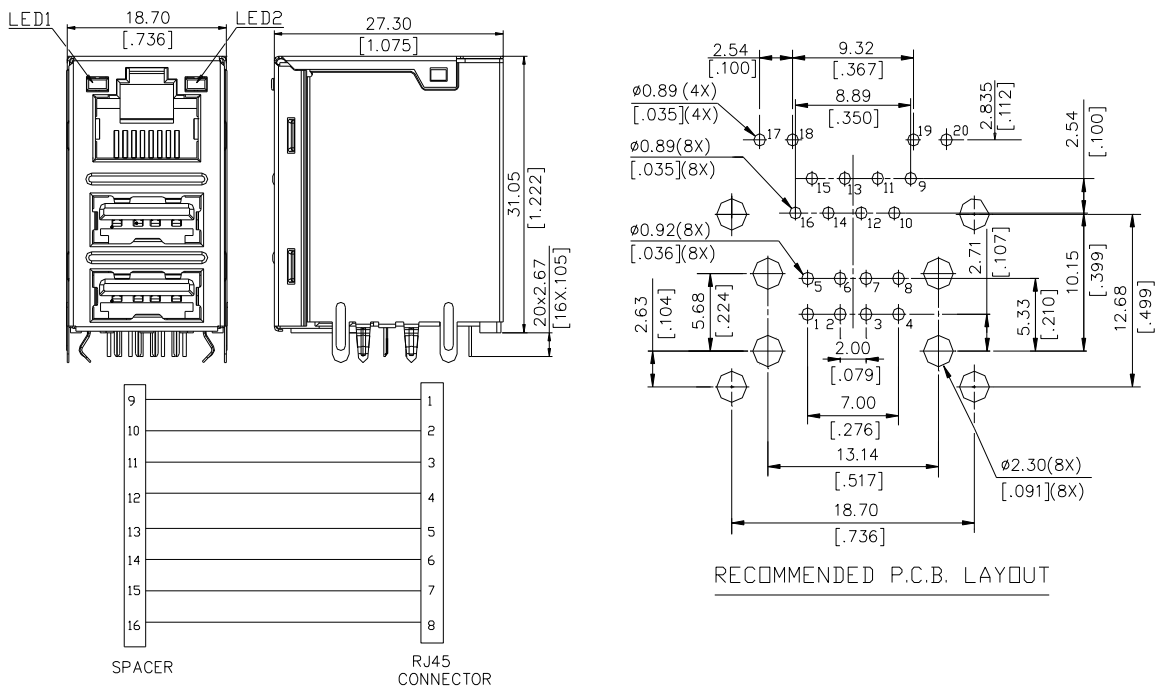
Physical

Housing: Thermoplastic, UL 94V-0 rated in Black Color
Contact: Copper Alloy
Shell: Stainless Steel, SPCC
Operating Temperature: -30 to +85

UB Serie
RJ45 Over Dual USB
R/A, T/H Type
1.27mm [.050"] Pitch



DRAWING



CONNECTING SCHEMATICS

ORDERING INFORMATION

PRODUCT NO.: U B 1 1 1 2 3 - Y5*F - 4 F

USB Series: _____ F=Lead Free
 Conn. Series: _____ B= USB A Type 4=Soft Tray
 Termination Type: _____ *LEDs(SEE SHEET) Extension NO.
 1= Right Angle Contact Plating: 3=30u" Au(USB Contact) Gold Flash(RJ Contact)
 Contact Design Type: _____ Profile Height: 2= 4.13
 1= Female
 No. Of Conn. Pos.: _____ 1= 4POS.

UB11123-Y5MF-4F	17 YELLOW	18 ORANGE	19 GREEN	20 GREEN
UB11123-Y5KF-4F	17 ORANGE	18 GREEN	19 ORANGE	20 GREEN
UB11123-Y5JF-4F	17 GREEN	18 YELLOW	19 GREEN	20 GREEN
UB11123-Y5HF-4F	17 ORANGE	18 GREEN	19 GREEN	20 GREEN
UB11123-Y5GF-4F	17 YELLOW	18 GREEN	19 ORANGE	20 GREEN
UB11123-Y5FF-4F	17 GREEN	18 ORANGE	19 GREEN	20 GREEN
UB11123-Y5BF-4F	17 GREEN	18 ORANGE	19 GREEN	20 GREEN
UB11123-Y5AF-4F	17 GREEN	18 YELLOW	19 GREEN	20 YELLOW
UB11123-Y54F-4F	17 YELLOW	18 GREEN	19 YELLOW	20 GREEN
UB11123-Y53F-4F	17 GREEN	18 YELLOW	19 YELLOW	20 GREEN
UB11123-Y52F-4F	17 GREEN	18 GREEN	19 GREEN	20 GREEN
UB11123-Y51F-4F	17 YELLOW	18 GREEN	19 GREEN	20 GREEN
PART NO.	LED1	LED2		