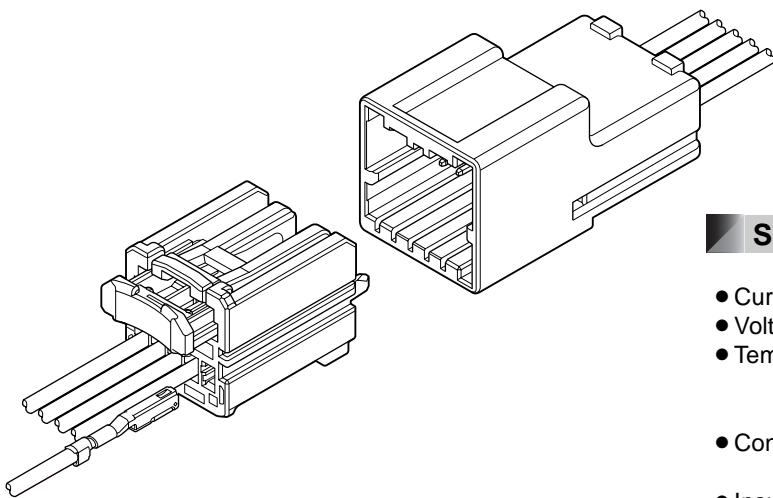


0.64 unsealed wire-to-wire connector with CPA and shorting bar mechanisms for Air-bag application. Providing Connector Position Assurance, positive mating and completion of circuit in one pressing motion.

Features

- 2 Circuits and 5 Circuits, Wire-to-Wire Connection
- Connector Position Assurance (CPA) Mechanism
- Utilize Shorting Bar to protect against accidental electrical discharge
- Pre-set CPA, Pre-Set TPA
- One-action insertion by pushing CPA for complete connection

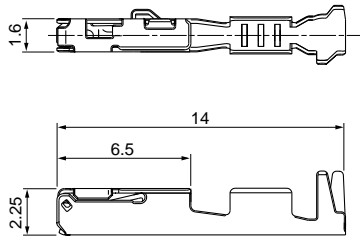


Specifications

- Current rating: 5A DC max.
- Voltage rating: 14V DC
- Temperature range: -40°C to +125°C
(including temperature rise in applying electrical current)
- Contact resistance: Initial value/15mΩ max.
After environmental testing/15mΩ max.
- Insulation resistance: 100MΩ min.
- Applicable Wire: SAE/ AVSS / CAVS
0.3mm² to 0.8mm²

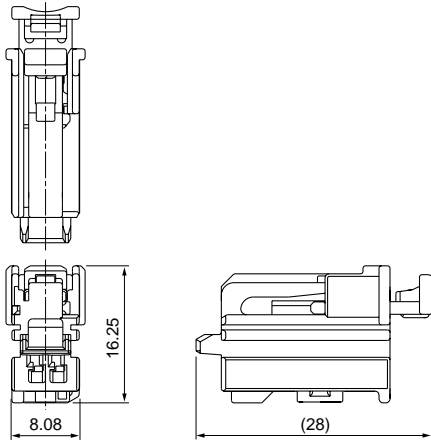
- * Compliant with ELV/RoHS.
- * Contact JST for details.

Female terminal

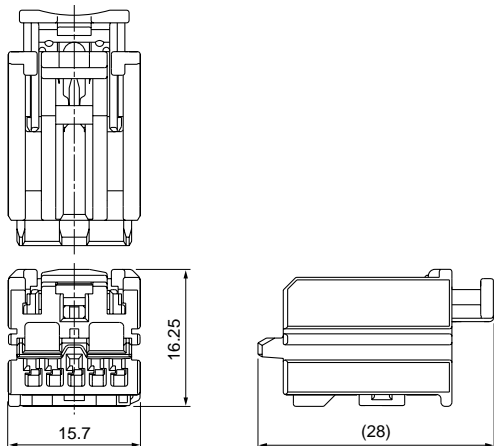


Female connector

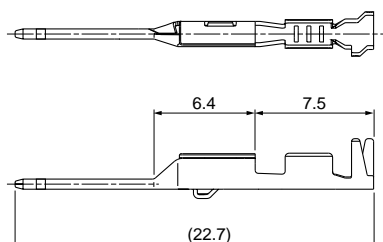
• 2 circuits



• 5 circuits



Male terminal



Model No.	Applicable wire range		Q'ty/reel
	Conductor (mm ²)	Insulation O.D. (mm)	
①SAIT-A03T-M064	0.3 to 0.5	≤1.9	6,500
①SAIT-A02T-M064	0.75 to 0.8	≤1.9	6,500
②SAIT-A03GF-M064	0.3 to 0.5	≤1.9	6,500
②SAIT-A02GF-M064	0.75 to 0.8	≤1.9	6,500

Material and Finish

- ①Copper alloy, tin-plated (reflow treatment)
- ②Copper alloy, nickel-undercoated, Contact area; gold-plated
Barrel area; tin-plated

Circuits	Model No.	Q'ty/box	Color of Retainer and CPA
2	SNAPB-02UN-1FYS	400	Natural (White)
	SNAPB-02UN-1AYK	400	Black
5	SNAPB-05UN-1FYS	200	Natural (White)

Material

Housing: Glass-filled PBT, yellow
Retainer: Glass-filled PBT
CPA: Glass-filled PBT

Model No.	Applicable wire range		Q'ty/reel
	Conductor (mm ²)	Insulation O.D. (mm)	
①SAITW-A03TGG-064	0.3 to 0.5	≤1.9	7,000
①SAITW-A02TGG-064	0.75 to 0.8	≤1.9	7,000
②SAITW-A03GF-064	0.3 to 0.5	≤1.9	7,000
②SAITW-A02GF-064	0.75 to 0.8	≤1.9	7,000

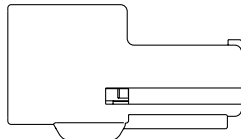
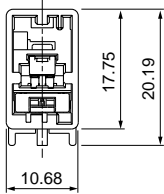
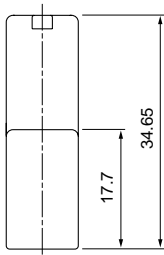
Material and Finish

- ①Brass, nickel-undercoated, Contact area, Barrel area; tin-plated
Contact to Shorting bar area; gold-plated
- ②Brass, nickel-undercoated, Contact area; gold-plated
Barrel area; tin-plated

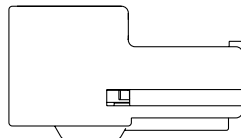
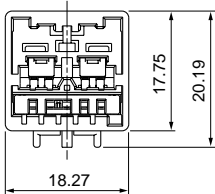
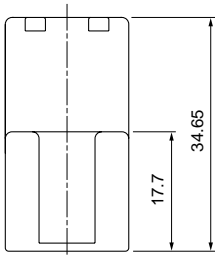
SNA CONNECTOR

Male connector

• 2 circuits



• 5 circuits



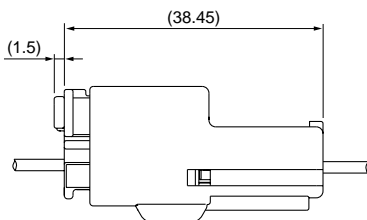
Circuits	Model No.	Q'ty/box	Color of Retainer
2	SNAMB-02UN-1FYS	200	Natural (White)
	SNAMB-02UN-1AYK	200	Black
5	SNAMB-05UN-1FYS	100	Natural (White)

Material and Finish

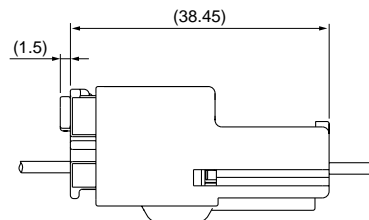
Housing: Glass-filled PBT, yellow
 Retainer: Glass-filled PBT
 Shorting bar: Copper alloy, nickel-undercoated,
 Contact area: gold-plated

Assembly layout

• 2 circuits



• 5 circuits



Note: The dimensions above should serve as guideline. Contact JST for details.

Crimping machine, Applicator

Strip terminal	Crimping machine	Crimp applicator MKS-L	
		Dies	Crimp applicator with dies
SAIT-A03()-M064	AP-K2N	MK/SAIT-A03-064	APLMK SAIT-A03-064
SAIT-A02()-M064		MK/SAIT-A02-064	APLMK SAIT-A02-064
SAITW-A03()-064		MK/SAITW-A03-064	APLMK SAITW-A03-064
SAITW-A02()-064		MK/SAITW-A02-064	APLMK SAITW-A02-064

Note: When crimping operation is conducted using an applicator and die set other than the above, JST cannot guarantee the performance of the terminal.