

LED Numeric Displays (LA)

1 digit to 3 digit, for clock display, frequency display, etc.

● Product Designation

- When ordering, specify the type.
- Check each code against the code tables shown below.
- Fill a space with the next character.

A-J	Anode Common
K-U	Cathode Common

Common



Type of Display

LA	Single digit
LB	2-3 digit

Height of Segments (character height)

2	6, 6.4mm
3	8, 7.6, 7.62mm
4	10, 10.16, 11mm
5	12.5, 13mm
6	14.2, 14.3, 14.6, 15mm
8	20mm
1	25.4mm

Count

01, 21, 31	Single digit
02	Two digit
03	Three digit
04	Four digit
05	Five digit

Emitting Color (2-Color type : 2-digit display)

L	Brightness Red 660nm
V	Red 650nm
U	Amber 635nm
D	Orange 610nm
Y	Yellow 585nm
M	Green 563nm

Single color : 1 Letter, Two color : 2 Letters

Luminance Rank

Input brightness rank signal display
 One rank preferred J
 Multiple rank preferred J N
 (Min., Max. is displayed)
 • See Brightness Rank List P.261

* LA-6000, and LB-6000 are not included.


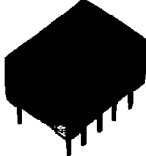
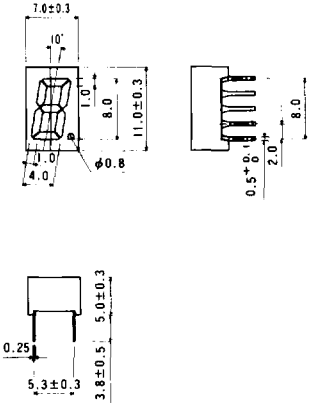
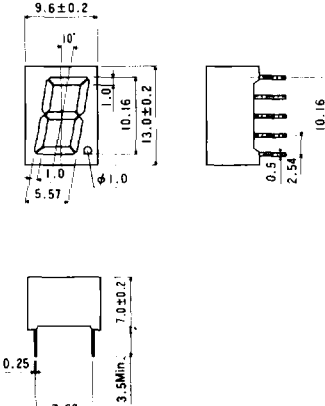
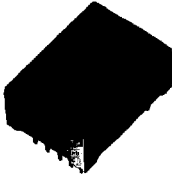
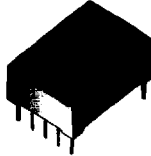
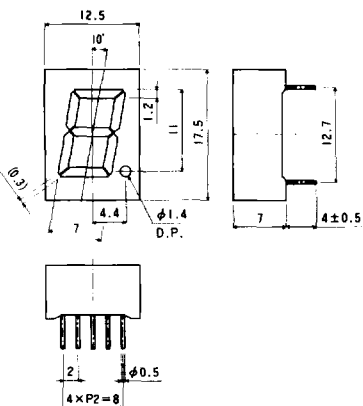
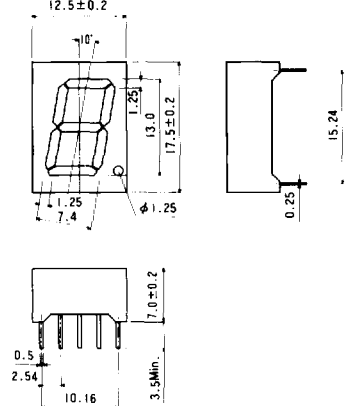
● Single digit Numeric Displays (LA)

Digit count	Character height (outer dimensions) (mm)	Emitting color Common λp (nm)	GaAsP on GaP				Basic ordering unit	Quantity /package	Quantity /bag	Rank
			Red 650	Orange 610	Yellow 585	Green 563				
8 (7×11)		Anode	LA-301VB	LA-301DB	LA-301YB	LA-301MB	200	200	200	◎
		Cathode	LA-301VL	LA-301DL	LA-301YL	LA-301ML				
10.16 (9.6×13)		Anode	LA-401VD	LA-401DD*3	LA-401YD*3	LA-401MD	140	140	140	◎
		Cathode	LA-401VN	LA-401DN*3	LA-401YN*3	LA-401MN				
11 (12.5×17.5)		Anode	LA-421MLA (Green/Brightness Red*2 Two-color light emission) *3				50	50	50	○
		Cathode	LA-421MLK (Green/Brightness Red*2 Two-color light emission) *3							
13 (12.5×17.5)		Anode	LA-501VD	LA-501DD*3	—	LA-501MD	60	60	60	◎
		Cathode	LA-501VN	LA-501DN*3	—	LA-501MN				
14.6 (12.5×19)		Anode	LA-601LB*2/VB*3	LA-601DB*3	LA-601YB*3	LA-601MB*3	80	80	80	○
		Cathode	LA-601LL*2/VL*3	LA-601DL*3	LA-601YL*3	LA-601ML*3				
14.22 (12.2×19)		Anode	LA-6760/6960*1*4	LA-6660*1*3	LA-6860*1*3	LA-6460*1	80	80	80	○
		Cathode	LA-6780/6980*1*4	LA-6680*1*3	LA-6880*1*3	LA-6480*1				
15 (12.5×19)		Anode	LA-621LMA (Brightness Red*2/Green Two-color light emission) *3				500	500	500	○
		Cathode	LA-621MLA (Brightness Red*2/Green Two-color light emission) *3							
25.4 (24×34)		Anode	LA-101VA	LA-101DA*3	LA-101YA*3	LA-101MA	50	50	50	◎
		Cathode	LA-101VK	LA-101DK*3	LA-101YK*3	LA-101MK				
25.4 (22.8×33)		Anode	LA-101LD*2*3	—	—	—	50	50	50	○
		Cathode	LA-101LN*2*3	—	—	—				
25.4 (22.8×33)		Anode	LA-131LA*2*3	—	—	—	50	50	50	○
		Cathode	LA-131LK*2*3	—	—	—				
25.4 (22.8×33)		Anode	LA-121MLA (Green/Red*2 Two-color light emission) *3				50	50	50	○
		Cathode	LA-121MLK (Green/Red*2 Two-color light emission) *3							

Note : *1 Surface finished gray *2 Emitting material : GaAlAs λp : 660nm *3 Need a certain lead time for delivery *4 λp : 635nm.

◎ : Standard products ○ : Semi-standard products

(Unit : mm)

LA-301VB/DB/YB/MB/VL/DL/YL/ML	LA-401VD/DD/YD/MD/VN/DN/YN/MN
	
	
LA-421MLA/MLK	LA-501VD/DD/MD/VN/DN/MN
	
	

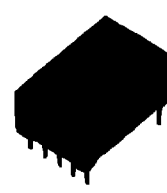
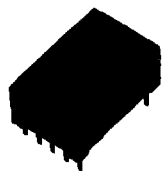
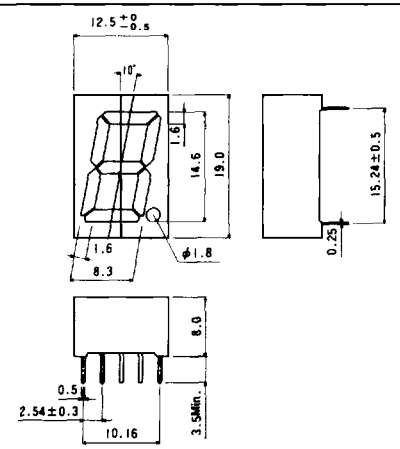
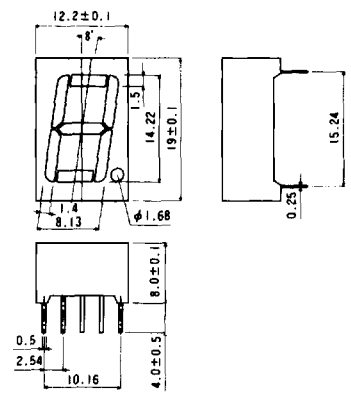
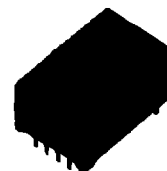
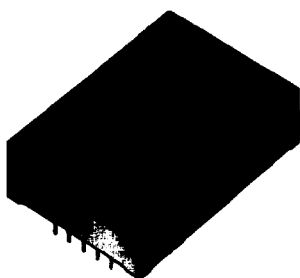
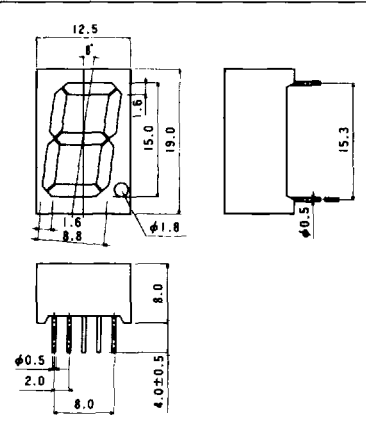
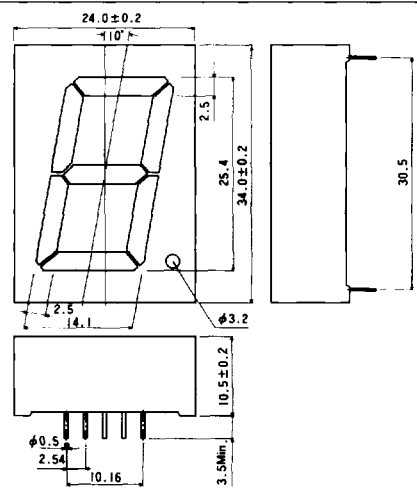
LED Numeric Displays

LED

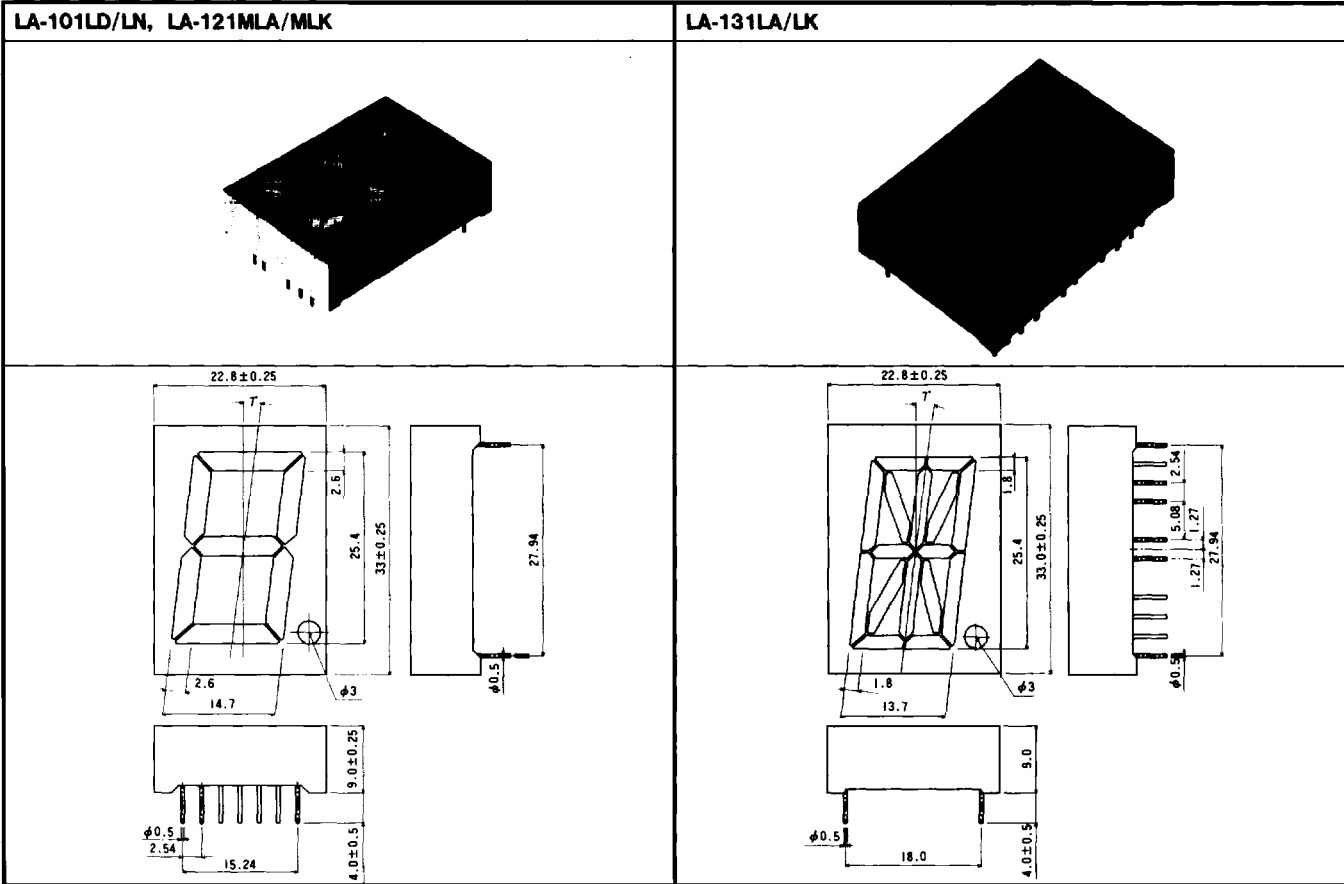
LED Numeric Displays (LA)

●Single Digit LED Numeric Displays (LA)

(Unit : mm)

LA-601LB/VB/DB/YB/MB/LL/VL/DL/YL/ML	LA-6760/6960/6660/6860/6460/6780/6980/6680/6880/6480
	
	 <p data-bbox="1007 1127 1486 1149">Note : Black coated surface colored segments LA-6760/6780 only.</p>
LA-621LMA/LMK	LA-101VA/DA/YA/MA/VK/DK/YK/MK
	
	

(Unit : mm)



LED Numeric Displays



Product Designation

Page 234