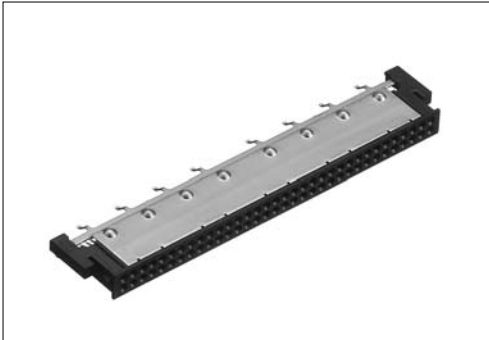


Right-angle SMT female connector for Card Bus PC card  
**ICMB-68FYGC-OM( )**

PCB side

Right-angle SMT

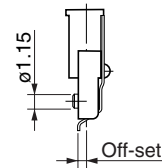
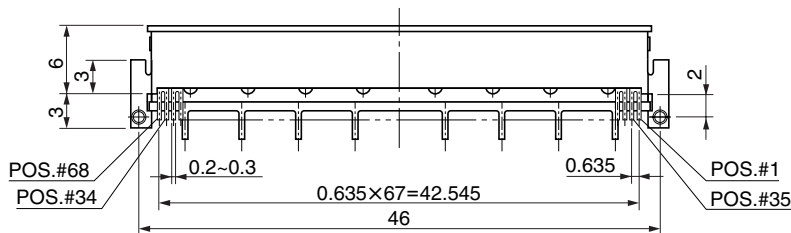
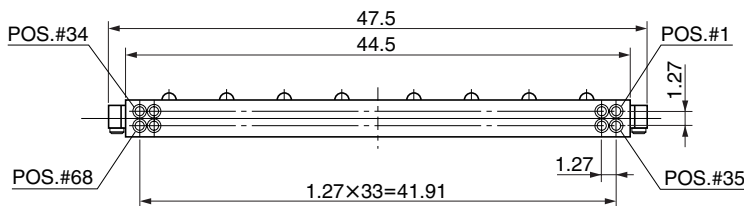
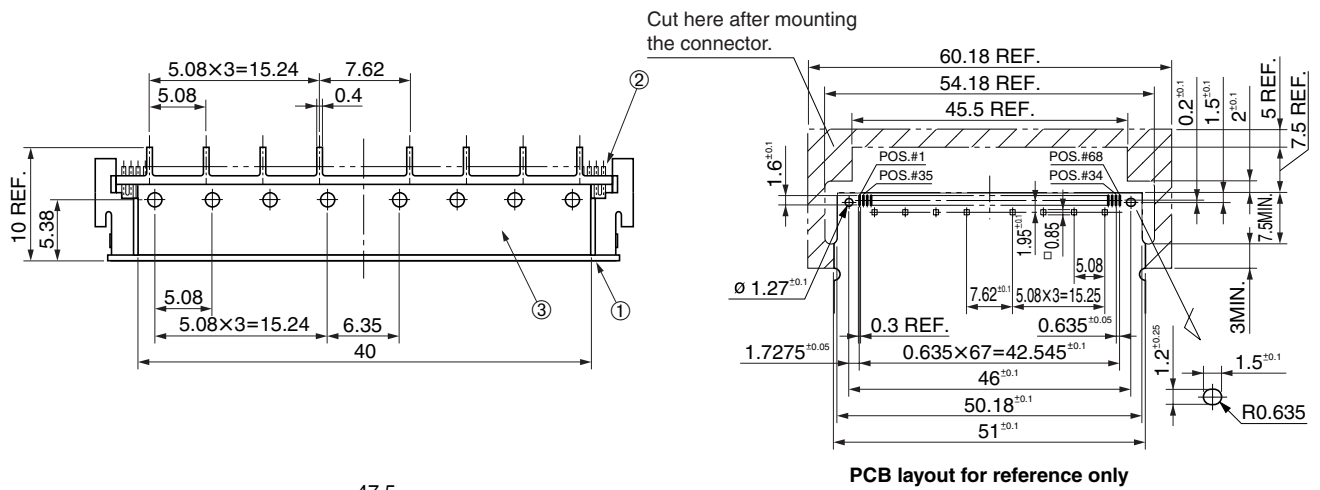
Conforming to PCMCIA/JEITA



● Configuration of product Part No.

**ICMB- 68 FYGC- OM( )**

- ① Series name  
 ② No. of contacts: 68  
 ③ Type of contacts: Right-angle SMT type, female  
 ④ Off-set: 00 0 mm  
           03 0.3 mm  
           06 0.6 mm  
           09 0.9 mm



● Components

①	Insulator
②	Contacts
③	Shield Plates

Note: The connectors and shield plates can be separately supplied.

● Dimensions

Part No.	Off-set
ICMB-68FYGC-OM00	0
ICMB-68FYGC-OM03	0.3
ICMB-68FYGC-OM06	0.6
ICMB-68FYGC-OM09	0.9

Mating connectors: PC card slot side connector

For the combinations of I/O connectors, frames and metal covers, refer to "Combination of PC Card and Connectors" on page G-2.