



LED LIGHTS  
LED CLUSTERS

## FEATURES

### DIRECTLY REPLACES STANDARD INCANDESCENTS

- LONG LIFE, 100,000 HOURS
- HIGH SHOCK / VIBRATION RESISTANCE SOLID STATE
- BUILT-IN RESISTOR FOR DIRECT 6V TO 130 VAC / DC
- POWER SAVINGS UPTO 500%
- IDEAL FOR MARKER LIGHTS, LARGE MOVING DISPLAYS, SIGNS, PILOT LIGHTS & AUTOMOTIVE LIGHTS...

REPLACES FOLLOWING INCANDESCENTS

PART NO:

**DB100 TR4 -28V/30 -P**

MODEL #	LENS/COLOR/BRIGHT	VOLTS/mAmps Typ	POLARITY
EUROPEAN BAYONET 6 CHIP BIG DOME: 12 CHIP BIG DOME:  DB100 (MOL 2.00) DBM100 (MOL 2.50) DBL100 (MOL 3.00)	6 CHIP R6,R4,O4,Y4,G4  12 CHIP R5,Y5,G5	4Vf/50, 12Vf/15 (6CHIP) 8Vf/50,24Vf/15 (12 CHIP) EXT. RES. REQD. 6 CHIP: 12V/50,14V/50,24V/15, 28V/15,38V/15,48V/15, 120VAC/10... 12 CHIP: 12V/50,14V/50,24V/50, 28V/15,38V/15,48V/15, 120VAC/10... Other Voltage/mAmps Available	CENTER CONTACT: P = POS + N = NEG - BP = BIPOLAR NR = NO RES. AC = VAC
EUROPEAN BAYONET B & 9 CLUSTERS:  DB108/109(MOL 2.00) DBM608/609(MOL 2.50) DBL108/109(MOL 3.00)	CR5K,CR3K, CR900,CR6,CR5,CR3, CO5,CY5,CY3,CLY5, CG5,CG3,CPG5,CB5, CW5 INFRARED CLUSTERS: CIR850 (850nm) CIR880 (880nm) CIR940 (940nm)	S/SM/SL108: 8Vf, 18Vf = EXT. RES. REQD. 5V/120,6V/120,12V/60 S/SM/SL109: 18Vf/30= EXT. RES. REQD. 24V/30,28V/30,36V/30,48V/20, 60V/20,120VAC/10... Other Voltage/mAmps Available	CENTER CONTACT: P = POS + N = NEG - BP = BIPOLAR NR = NO RES. AC = VAC
EUROPEAN BAYONET 18 & 19 CLUSTER LED  DB1018/1019 (MOL 2.00) DBM1018/1019(MOL 2.50) DBL1018/1019(MOL 3.00)	CR5K,CR3K, CR900,CR6,CR5,CR3, CO5,CY5,CY3,CLY5, CG5,CG3,CPG5,CB5, CW5 INFRARED CLUSTERS: CIR850 (850nm) CIR880 (880nm) CIR940 (940nm)	S/SM/SL1018: 18Vf/60=EXT. RES. REQD. 24V/60,28V/60,36V/40 S/SM/SL1019: 38Vf/30=EXT. RES. REQD. 48V/20,60V/20,72V/20, 120VAC/10... Other Voltage/mAmps Available	CENTER CONTACT: P = POS + N = NEG - BP = BIPOLAR NR = NO RES. AC = VAC
CLUSTERS 40 LEDs (15mm)  DBS1040 (MOL 2.00) DBM1040 (MOL 2.50) DBL1040 (MOL 3.00)	CR5K,CR3K, CR900,CR6,CR5,CR3, CO5,CY5,CY3,CLY5, CG5,CG3,CPG5,CB5, CW5 INFRARED CLUSTERS: CIR850 (850nm) CIR880 (880nm) CIR940 (940nm)	S/SM/SL1040: 20Vf/120,40Vf/60,80Vf/30= EXT. RES. REQD. 24V/120,28V/120,36V/80,48V/80, 60V/80,72V/80,120VAC/20... Other Voltage/mAmps Available	CENTER CONTACT: P = POS + N = NEG - BP = BIPOLAR NR = NO RES. AC = VAC

### SPECIALS:

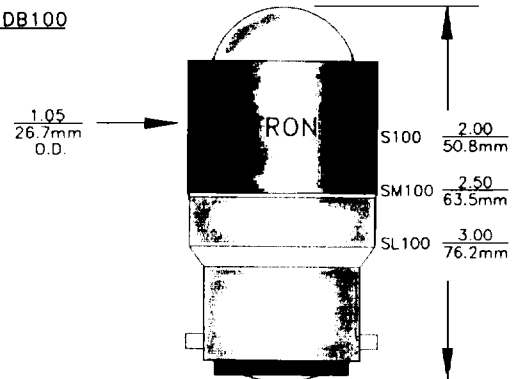
- FLASHING/BLINKING MULTI-LED CLUSTERS
- BICOLOR MULTI-LED CLUSTERS
- DUAL CHIP LEDs IN MULTI-LED CLUSTERS
- BICOLOR/MULTI-COLOR LED CLUSTERS
- INFRARED 850, 880 & 940nm
- MULTI-LED 360° CLUSTERS
- CUSTOM LED CLUSTERS

LENS TYPE: C=CLEAR, T=TRANSLUCENT, DIFFUSED, CW=WATERCLEAR, TW=TRANSLUCENT, WHITE  
COLOR CODES: R=RED, O=ORANGE, A=AMBER YELLOW, LY=LIME YELLOW, G=GREEN,  
PG=PURE GREEN, B=BLUE, W=WHITE (RED/GREEN)

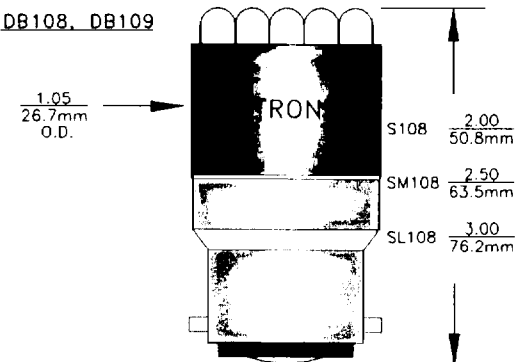
BRIGHTNESS CODES: 900=900mcd WIDE RED, 3K=3Kmcld NARROW RED, 5K=5Kmcld NARROW RED,  
7=HI ULTRA RED ONLY, 6=ULTRA, 5=SUPER BRIGHT, 3/4= HI EFFICIENCY

NOTE: WHEN PLACING ORDERS OR REQUESTING SAMPLES, PLEASE INDICATE INCANDESCENT LAMP  
NUMBER BEING REPLACED. WHEN SELECTING THE LED COLOR, MATCH EXISTING LENS COLOR TO  
LED COLOR.

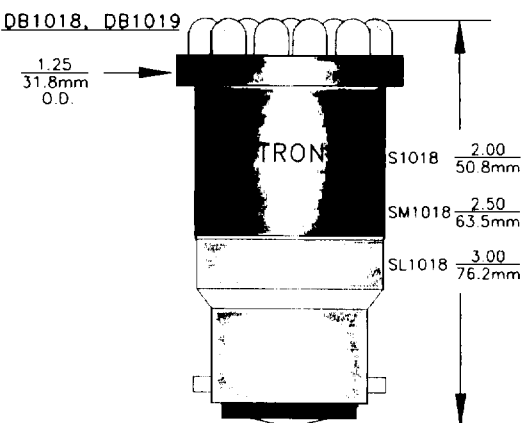
DB100



DB108, DB109



DB1018, DB1019



DB1040

