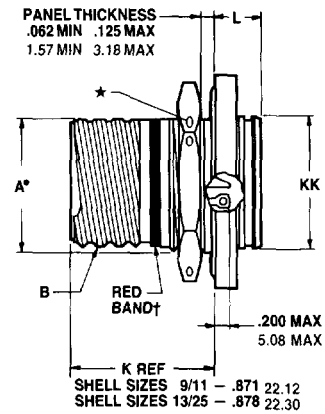
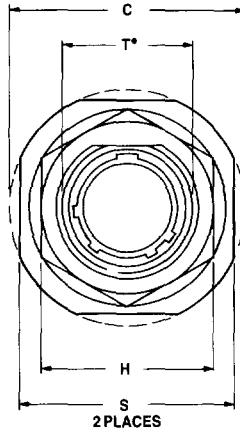


TVS07Y (D38999/23)* – hermetic, metal jam nut receptacle

TVS07Y-XX-XXX
TVS07YN-XX-XXX

D38999/23



- † Red band indicates fully mated
- * .059 dia. min. 3 lockwire holes
2.32 dia. min.
- Formed lockwire hole design (6 holes) is optional
- * To complete order number, see pages 32 and 33.

Inches

Shell Size	MS Shell Size Code	A* +.000 -.010	B Thread Class 2A 0.1P-0.3L-TS (Plated)	C Max.	H Hex +.017 -.016	L Max.	S ±.010	T* +.010 -.000	KK +.011 -.000
9	A	.669	.6250	1.199	.875	.357	1.062	.697	.642
11	B	.769	.7500	1.386	1.000	.357	1.250	.822	.766
13	C	.955	.8750	1.511	1.188	.357	1.375	1.007	.892
15	D	1.084	1.0000	1.636	1.312	.357	1.500	1.134	1.018
17	E	1.208	1.1875	1.761	1.438	.357	1.625	1.259	1.142
19	F	1.333	1.2500	1.949	1.562	.381	1.182	1.384	1.268
21	G	1.459	1.3750	2.073	1.688	.381	1.938	1.507	1.392
23	H	1.575	1.5000	2.199	1.812	.381	2.062	1.634	1.518
25	J	1.709	1.6250	2.323	2.000	.381	2.188	1.759	1.642

Millimeters

Shell Size	MS Shell Size Code	A* +.00 -.25	C Max.	H Hex +.43 -.41	L Max.	S ±.25	T* +.25 -.00	KK +.28 -.00
9	A	16.99	30.45	22.23	9.07	26.97	17.70	16.31
11	B	19.53	35.20	25.40	9.07	31.75	20.88	19.46
13	C	24.26	38.38	30.18	9.07	34.93	25.58	22.66
15	D	27.53	41.55	33.32	9.07	38.10	28.80	25.86
17	E	30.68	44.73	36.53	9.07	41.28	31.98	29.01
19	F	33.86	49.50	39.67	9.68	46.02	35.15	32.21
21	G	37.06	52.65	42.80	9.68	49.23	38.28	35.36
23	H	40.01	55.85	46.02	9.68	52.37	41.50	38.56
25	J	43.41	59.00	50.80	9.68	55.58	44.68	41.71

All dimensions for reference only.

* Designates true position dimensioning