

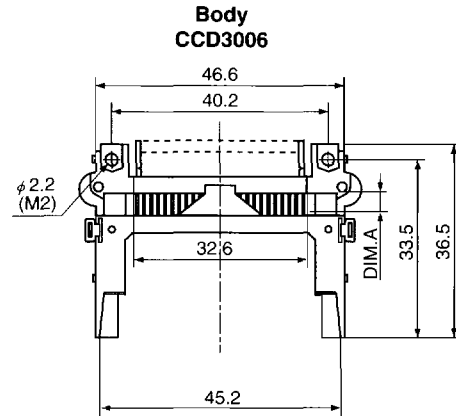
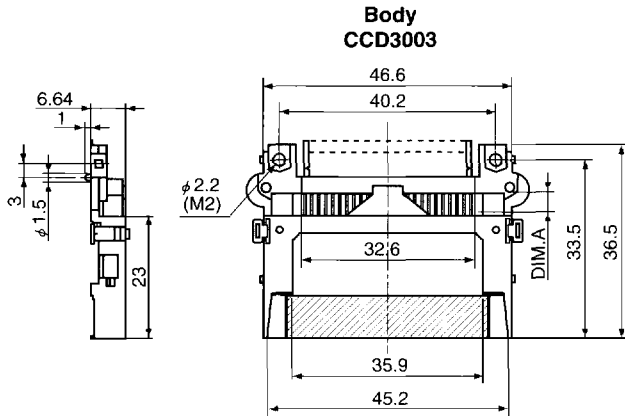
CCD3003

品番表 (Model No. List)

Model No.	Terminal Arrangement
CCD3003-010010	Fig. 2
CCD3003-010020	Fig. 1
CCD3006-01-0010	Fig. 2
CCD3006-01-0020	Fig. 1

ピン長さ (Pin Length)

Pin Number	DIM. A (Pin Length)
25, 26	3.50
1, 13, 38, 50	5.00
ALL other pins	4.25



端子配列 (Terminal Arrangement)

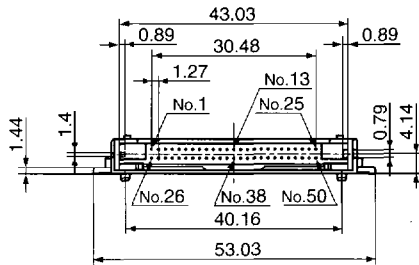


Fig.1

端子配列 (Terminal Arrangement)

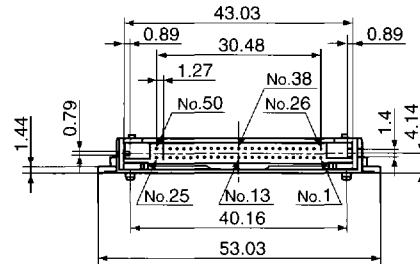
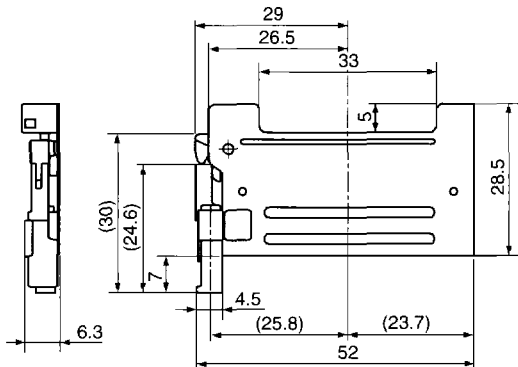


Fig.2

Ejector CCD3003-010100



Ejector CCD3007-010100

