

Amphenol

BDC

Bayonet Duplex Connector



The Bayonet Duplex Connector series offers the Pattern 105, Size 10, series proven connector construction, with the tri-mating bayonet locking mechanism for ease and quick mate/de-mate.

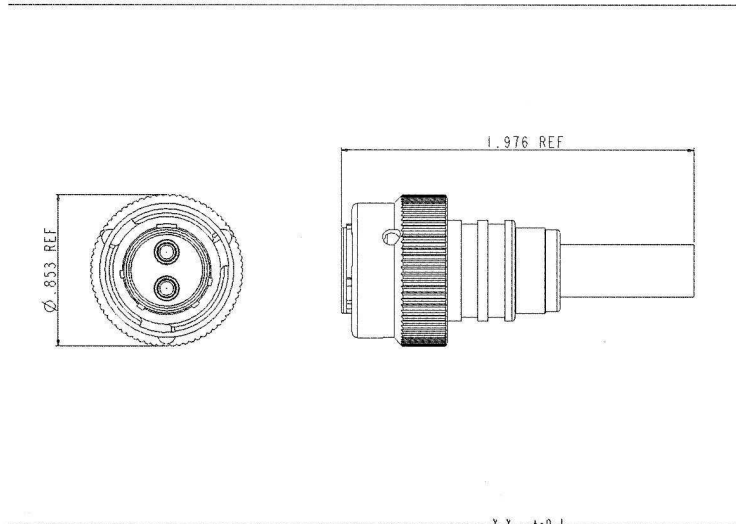
The BDC Series is designed for singlemode or multimode duplex cable using a tight jacket construction. The BDC offers a cost effective, harsh environment product. The shell material is Brass Electroless Nickel black zinc cobalt for telecommunications applications and brass nickel plated for the more harsh environments. Both styles utilise standard 2.5mm Zirconia PC ceramic ferrules and alignment sleeves.

- Plug, Jam Nut and 2-hole fixing Receptacles
- Protective Caps for all connector styles
- Fully keyed and orientated shells
- Low insertion loss
- Small one piece lightweight design
- Butt joint PC ferrule technology
- Factory terminated

Amphenol

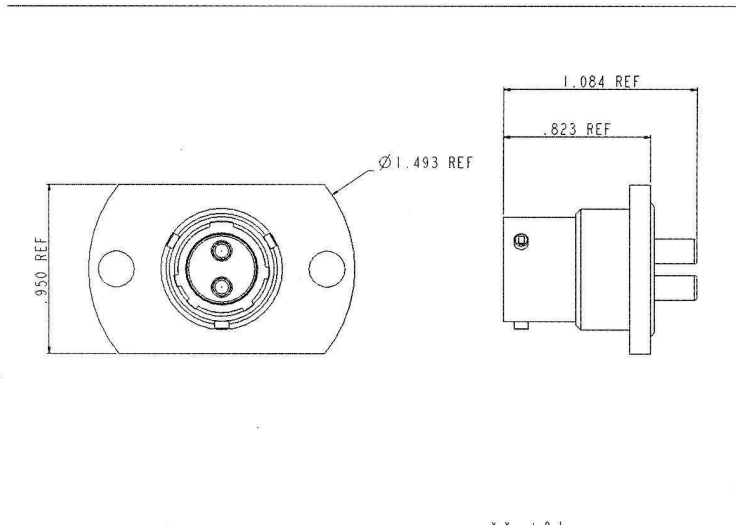
Visit our Website @
www.amphenol.co.uk

BDC Series – Bayonet Duplex Connector



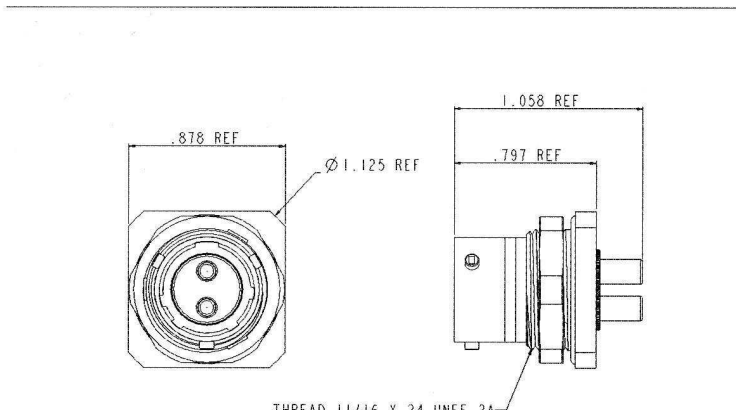
SCALE : 4.000 TYPE : ASSEM NAME : BDC-062RZX-014 SIZE : A3

X.X ±0.1
X.XX ±0.01
X.XXX ±0.001
ANG. ±0.5



SCALE : 4.000 TYPE : ASSEM NAME : BDC-202RZX-034 SIZE : A3

X.X ±0.1
X.XX ±0.01
X.XXX ±0.001
ANG. ±0.5



TUOEAR 11/12 V 04 DIMES 04

Performance

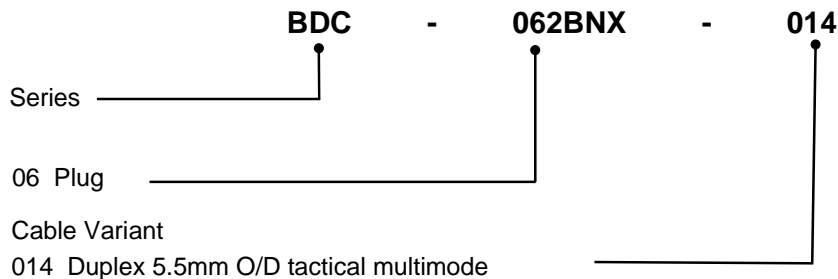
Optical	
Attenuation	<0.6dB with 62.5/125µm Cable
Durability	>1500 matings
Fibre Types	9/125 50/125 62.5/125
Cable Types	014 – All 5.5mm OD Tactical 011 – All 2.75mm OD Tight Jacketed

Environmental	
Material	Brass
Finish	Electroless Nickel
RoHs	Compliant
Temperature Range	-55°C to +125°C
Vibration	10 Hz to 5000 Hz

Protective Caps	
Plug	960-869
Receptacle	960-870

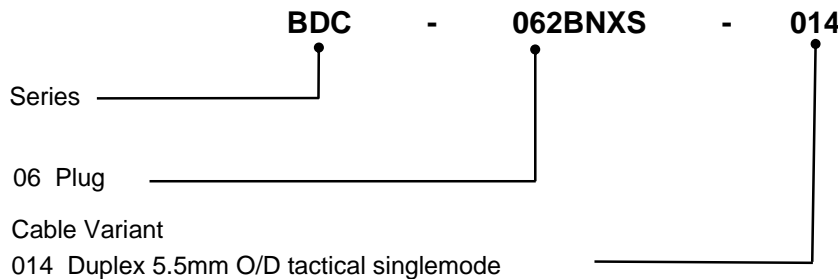
Part Number Information – Multimode Fibre

Plug Connector:



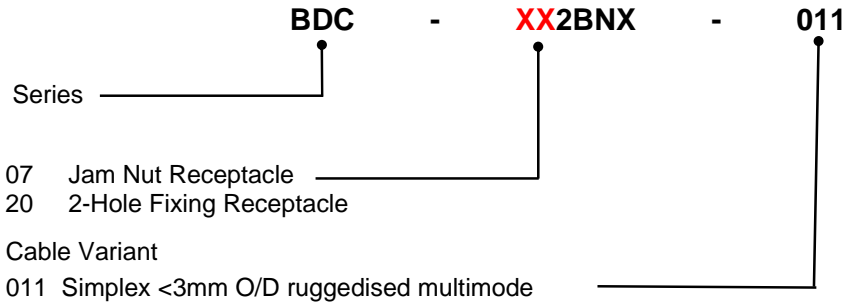
Part Number Information – Singlemode Fibre

Plug Connector:



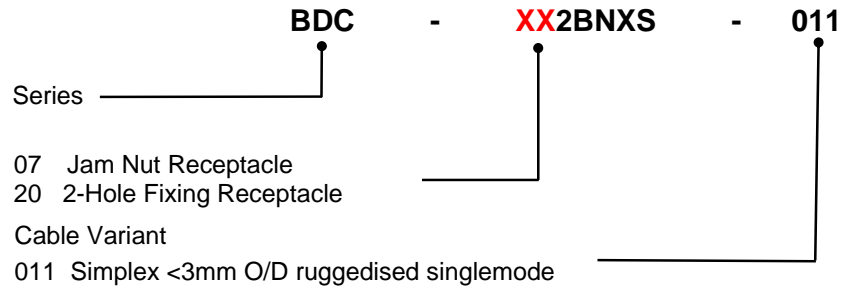
Part Number Information – Multimode Fibre

Receptacle Connector:



Part Number Information – Singlemode Fibre

Receptacle Connector:



Notice: Products are sold subject to Amphenol's conditions of sale ("the standard conditions"). All specifications and statements contained herein are believed to be correct at the time of printing but no representation or warranty, express or implied, is given as to any specification or statement contained herein. Product specifications including performance characteristics are typical only and subject to deviation. Specifications are also subject to change without notice. Users should not assume that all safety measures are indicated or that other measures may not be required. No representation or warranty, express or implied, is given that any use of products (including any stated or suggested use) does not infringe any patent, registered design or other third party rights and no stated or suggested use of products can be taken to recommend any such infringement.