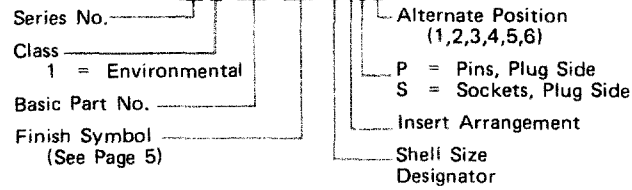


941-002NF-FIP5

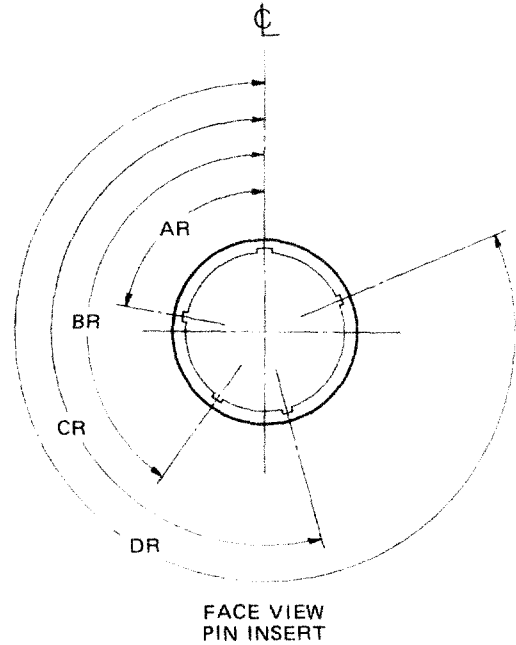


SHELL SIZE DESIG	SHELL SIZE REF	A THREAD CLASS 2*	B MAX
A	11	.750-.1P-.02L-DS	1.028 (26.1)
B	13	.875-.1P-.02L-DS	1.141 (29.0)
C	15	1.062-.1P-.02L-DS	1.263 (32.1)
D	17	1.125-.1P-.02L-DS	1.387 (35.2)
E	19	1.312-.1P-.02L-DS	1.513 (38.4)
F	23	1.500-.1P-.02L-DS	1.703 (43.3)
G	25	1.625-.1P-.02L-DS	1.825 (46.4)
H	29	1.812-.1P-.02L-DS	2.143 (54.4)
J	33	2.000-.1P-.02L-DS	2.329 (59.2)

Metric dimensions (mm) are indicated in parentheses

INSERT ARRANGEMENTS

SHELL SIZE DESIG	SHELL SIZE REF	INSERT ARRANGEMENT DASH NO.	CONTACT SIZE 20: QUANTITY
A	11	A-1	7
B	13	B-1	12
C	15	C-1	21
D	17	D-1	31
E	19	E-1	42
F	23	F-1	64
G	25	G-1	92
H	29	H-1	121
J	33	J-1	165



ALTERNATE KEYWAY POSITIONS

SHELL SIZE DESIG	SHELL SIZE REF	KEY AND KEYWAY ARRANGEMENT	AR°	BR°	CR°	DR°
A	11	1	95	141	205	236
		2	113	156	182	292
		3	90	145	195	252
		4	53	156	220	255
		5	119	145	176	298
		6	51	141	184	242
C	15	1	80	142	196	293
		2	135	170	200	310
		3	49	169	200	244
		4	66	140	200	257
		5	62	145	180	280
		6	79	153	197	272
E	19	1	80	142	196	293
		2	135	170	200	310
		3	49	169	200	244
		4	66	140	200	257
		5	62	145	180	280
		6	79	153	197	272
F	23	3	49	169	200	244
G	25	4	66	140	200	257
H	29	5	62	145	180	280
J	33	6	79	153	197	272