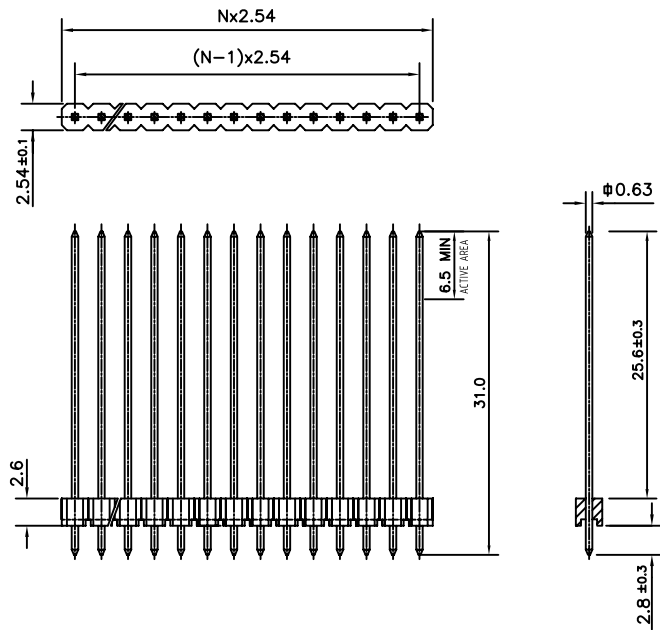
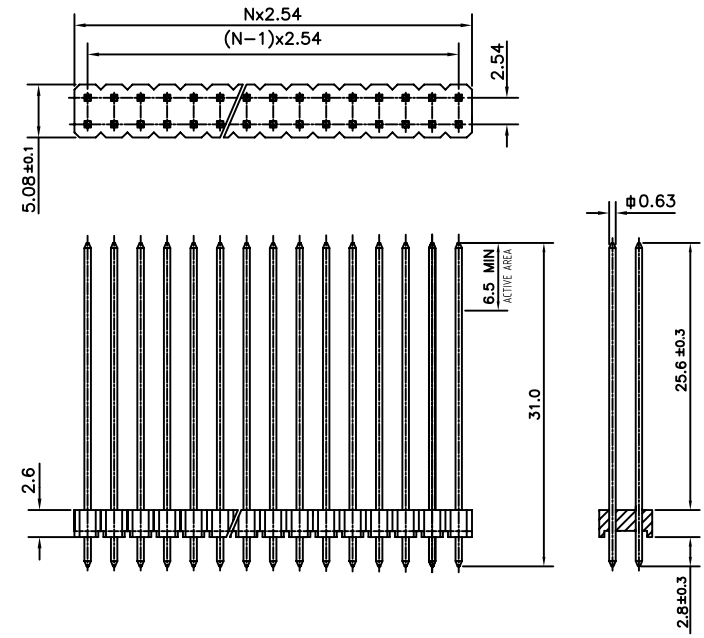


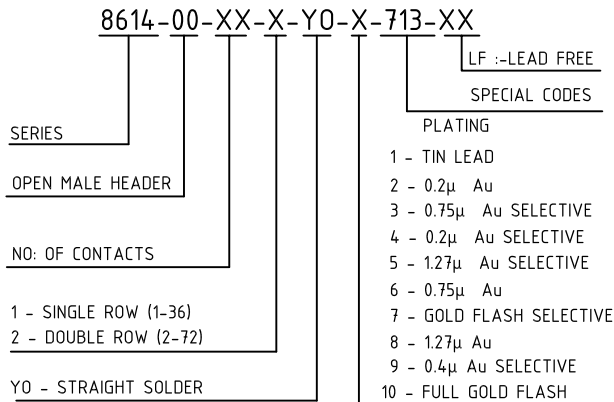
SINGLE ROW (1 YO)



DOUBLE ROW (2 YO)



ORDERING INFORMATION



NOTES :

1. THE PRODUCT (LF) MEETS EUROPEAN UNION DIRECTIVES AND OTHER COUNTRY REGULATIONS AS DESCRIBED IN GS-22-008

TECHNICAL SPECIFICATION

INSULATOR MATERIAL : SELF EXTINGUISHING THERMOPLASTIC (UL94 V0)
CONTACT MATERIAL : COPPER ALLOY
MAXIMUM VOLTAGE : 1000 V rms.
NOMINAL CURRENT : 3A AT 20°C
INSULATION RESISTANCE : ≥ 5000 M Ω
CONTACT RESISTANCE : ≤ 20 m Ω
CLIMATIC CATAGORY : -55°C TO +125°C / 21 DAYS EXPOSURE TO- INDUSTRIAL ENVIRONMENT HUMIDITY TEST AS HE-14.

mat'l. code		surface		tolerance		projection		product family	
REF TECH SPEC		ISO 1302		ISO 406 ISO 1101		MM		8614	
ltr	ecn no	dr	date	tolerances unless otherwise specified		MM		title	
A	107-0033	MINI	2007-03-26	angles	linear	MM		OPEN HEADER	
				0°±1°		scale -		(STRAIGHT SOLDER)	
		dr	MINI K VANDANATH	2007-03-26				dwg no	
		enr	ALEX BABU	2007-03-26				sheet 1 of 1	
		chr	ALEX BABU	2007-03-26				size	
		appd	BIJU K PAUL	2007-03-26				A3	
sheet index		revision sheet		A				type	
1		1						Product Customer Drawing	