

SACCEC-M12FSB-2CON-M16/10-910

Order No.: 1525911

<http://eshop.phoenixcontact.de/phoenix/treeViewClick.do?UID=1525911>

Bus system flush-type socket, PROFIBUS, 2-pos., M12, shielded, B-coded, front/screw mounting with M16 thread, with 10 m bus cable, 2 x 0.25 mm²



Commercial data	
EAN	4046356022521
Pack	1 pcs.
Customs tariff	85369010
Weight/Piece	0.687 KG
Catalog page information	Page 17 (PC-2005)

Product notes

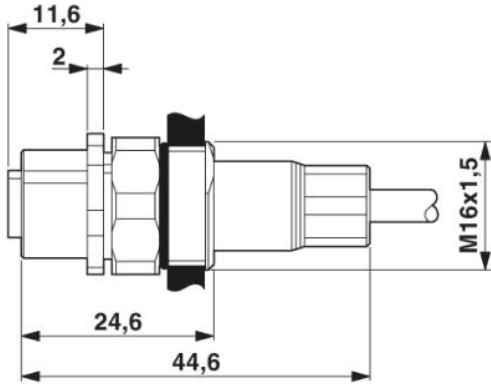
WEEE/RoHS-compliant since:
03/13/2006



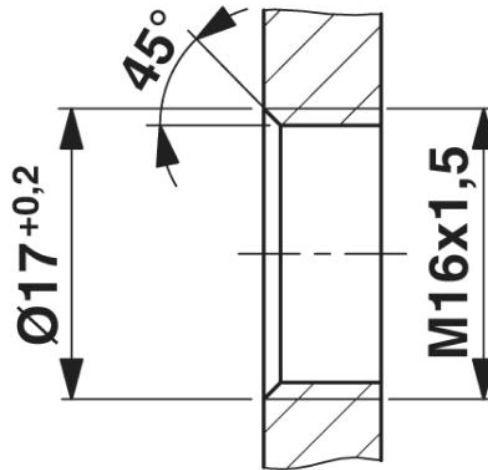
<http://www.download.phoenixcontact.com>
Please note that the data given here has been taken from the online catalog. For comprehensive information and data, please refer to the user documentation. The General Terms and Conditions of Use apply to Internet downloads.

Drawings

Dimensioned drawing

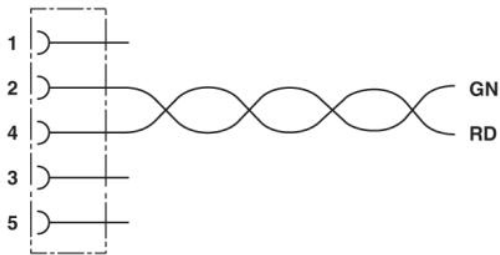


M12 flush-type connector



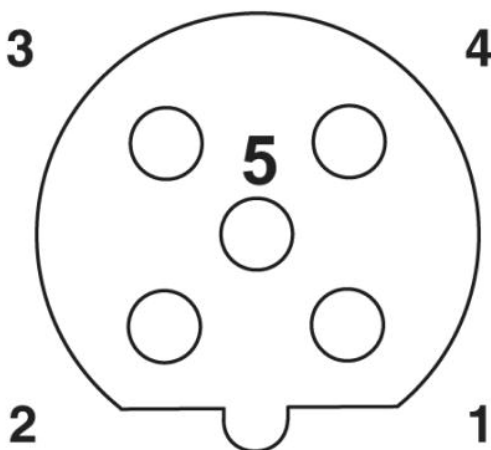
Housing cutout for M16 fastening thread,
 mounting panel with thread

Circuit diagram



Contact assignment of the M12 socket

Schematic diagram



Pin assignment M12 female connector, 5-pos., B-coded, female side

Address

PHOENIX CONTACT GmbH & Co. KG
Flachmarktstr. 8
32825 Blomberg, Germany
Phone +49 5235 3 00
Fax +49 5235 3 41200
<http://www.phoenixcontact.com>



© 2009 Phoenix Contact
Technical modifications reserved;