

PLEASE CHECK WWW.MOLEX.COM FOR LATEST PART INFORMATION

Part Number: [0191640990](#)
Status: **Active**
Description: Avikrimp™ Fully Insulated Piggyback Quick Disconnect, Tab 6.35mm (.250") by 0.81mm (.032"), 18-22 AWG, Red Insulator, Loose

Documents:

[Drawing \(PDF\)](#)

[RoHS Certificate of Compliance \(PDF\)](#)

General

Product Family	Quick Disconnects
Series	19164
Crimp Quality Equipment	Yes
Product Name	Avikrimp™
Type	Quick Disconnect

Physical

Barrel Type	Closed - Brazed
Gender	Female
Glow-Wire Compliant	No
Insulation	NiAc™
Lock to Mating Part	No
Orientation	Straight
Packaging Type	Bag
Polarized to Mating Part	Yes
Tab Thickness	0.81mm (.032")
Tab Width	6.35mm (.250")
Temperature Range - Operating	125°C
Wire Insulation Diameter	7.03mm (.277") max.
Wire Size AWG	10, 12
Wire Size mm²	3.30 - 5.00

Electrical

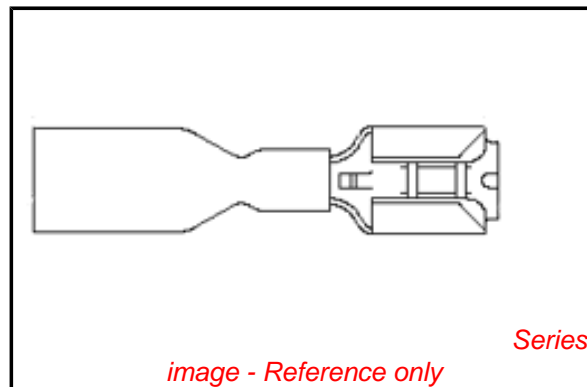
Voltage - Maximum	300V AC
-------------------	---------

Material Info

Old Part Number	SC-2303
-----------------	---------

Reference - Drawing Numbers

Sales Drawing	SD-19164-053
---------------	--------------



EU RoHS

**ELV and RoHS
Compliant**
REACH SVHC
 Not Reviewed
**Halogen-Free
Status**
 Not Reviewed

China RoHS



**Need more information on product
environmental compliance?**

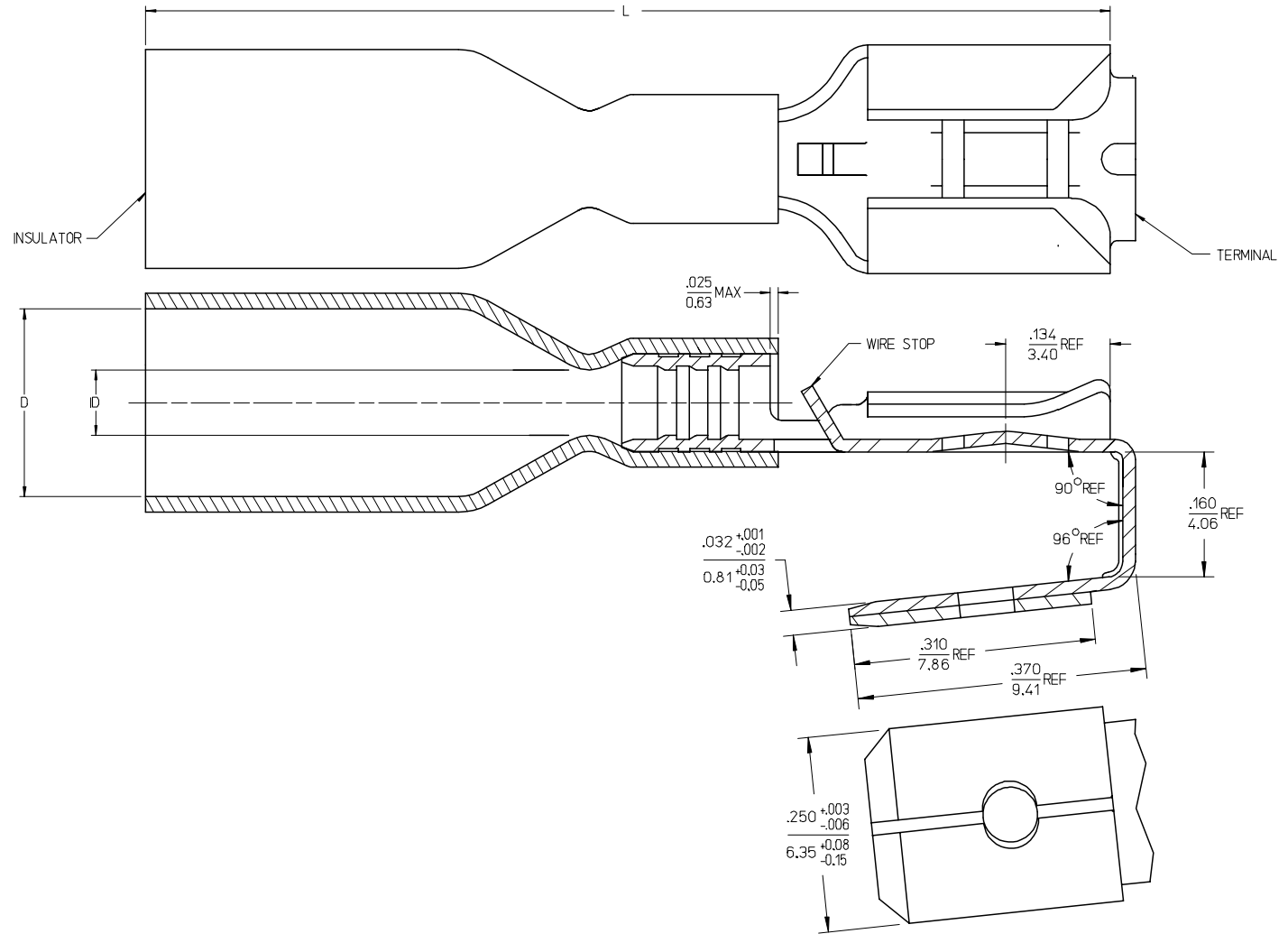
Email productcompliance@molex.com
 For a multiple part number RoHS Certificate of
 Compliance, [click here](#)

Please visit the [Contact Us](#) section for any
 non-product compliance questions.

Search Parts in this Series

[19164Series](#)

MATERIAL NO.	ENGINEERING NO.	WIRE SIZE	INSULATOR COLOR	ID MIN	D MIN	L MAX
191640989	19164-0989	16-14 AWG	BLUE	.080/2.03	.220/5.58	1.470/37.34
191640990	19164-0990	12-10 AWG	YELLOW	.150/3.81	.350/8.89	1.440/36.58



NOTES:

1. TERMINAL MATERIAL: BRASS
2. TERMINAL FINISH: TIN PLATED
3. INSULATOR MATERIAL: PERMA-SEAL NIAC
4. ASSEMBLY IS ROHS COMPLIANT.

REDRAWN & REVISED EC NO: ETC2007-0259 DRAWN BY: DRWNEHLE CHKD: IMACNEIL APPR: IMACNEIL	2007/02/28 2007/03/05 2007/03/05	QUALITY SYMBOLS ▽=0 ▽=0	GENERAL TOLERANCES (UNLESS SPECIFIED)		DIMENSION STYLE		SCALE	DESIGN UNITS	THIRD ANGLE PROJECTION				
					IN/MM		10:1	INCH					
							DRAWN BY		DATE	TITLE			
							CHECKED BY		DATE	PIGGYBACK QD, .250 X .032 TAB, PERMA-SEAL NIAC			
				APPROVED BY		DATE	MATERIAL NO.						
				ANGULAR ±---°		DATE	DOCUMENT NO.						
				DRAFT WHERE APPLICABLE MUST REMAIN WITHIN DIMENSIONS		SEE CHART		SD-19164-053		SHEET NO.			
				SIZE		C		THIS DRAWING CONTAINS INFORMATION THAT IS PROPRIETARY TO MOLEX INCORPORATED AND SHOULD NOT BE USED WITHOUT WRITTEN PERMISSION		1 OF 1			