

Features

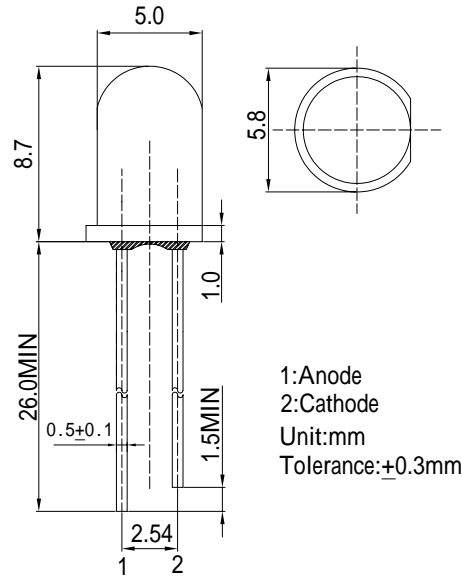
- High Luminous LEDs
- 5mm Round Standard Directivity
- Superior Weather-resistance
- UV Resistant Epoxy
- Water Clear Type

Applications

- Green House Applications
- Red : Blue LED Iv Ratio is 8:1*

*The ratio is summarized by the photosynthesis test on Phalaenopsis and provided from plant workshop in Taiwan.

Outline Dimension

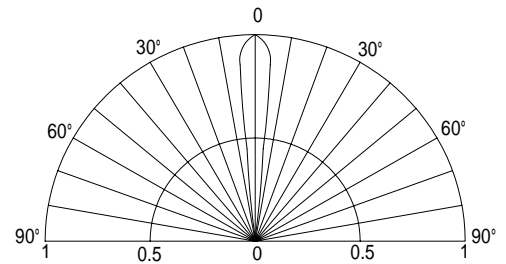


1: Anode
2: Cathode
Unit: mm
Tolerance: ± 0.3 mm

Absolute Maximum Rating (Ta=25 °C)

Item	Symbol	Value	Unit
DC Forward Current	I_F	50	mA
Pulse Forward Current*	I_{FP}	120	mA
Reverse Voltage	V_R	5	V
Power Dissipation	P_D	130	mW
Operating Temperature	T_{opr}	-30 ~ +85	
Storage Temperature	T_{stg}	-40 ~ +100	
Lead Soldering Temperature	T_{sol}	260 / 5sec	-

Directivity



*Pulse width Max. 10ms Duty ratio max 1/10

Electrical -Optical Characteristics (Ta=25 °C)

Item	Symbol	Condition	Min.	Typ.	Max.	Unit
DC Forward Voltage	V_F	$I_F=20$ mA	1.8	2.1	2.6	V
DC Reverse Current	I_R	$V_R=5$ V	-	-	10	μ A
Peak Wavelength*	λ_p	$I_F=20$ mA	650	660	670	nm
Luminous Intensity*	I_v	$I_F=20$ mA	12000	14400	-	mcd
50% Power Angle	$2\theta_{1/2}$	$I_F=20$ mA	-	30	-	deg

*1 Tolerance of Peak wavelength is ± 1 nm

*2 Tolerance of luminous intensity is $\pm 15\%$