

PLEASE CHECK WWW.MOLEX.COM FOR LATEST PART INFORMATION

Part Number: [0877614408](#)
Status: **Active**
Overview: milligrid
Description: 2.00mm (.079") Pitch Milli-Grid™ Header, Dual Row Dual Body, Through Hole, Vertical, 44 Circuits, 0.76µm (30µ") Gold (Au) Selective Plating, 12.50mm (.492") Stacking Height, Tray Packaging, Lead-free

Documents:

[3D Model](#) [Product Specification PS-87761-100 \(PDF\)](#)
[Drawing \(PDF\)](#) [RoHS Certificate of Compliance \(PDF\)](#)

General

Product Family	PCB Headers
Series	87761
Application	Board-to-Board
Overview	milligrid
Product Name	Dual Body, Milli-Grid™

Physical

Breakaway	Yes
Circuits (Loaded)	44
Circuits (maximum)	44
Color - Resin	Black
Durability (mating cycles max)	100
First Mate / Last Break	No
Glow-Wire Compliant	No
Guide to Mating Part	No
Keying to Mating Part	None
Lock to Mating Part	None
Mated Height (in)	0.165 In
Mated Height (mm)	4.20 mm
Material - Plating Mating	Gold
Material - Plating Termination	Tin
Material - Resin	Nylon
Number of Rows	2
Orientation	Vertical
PCB Locator	No
PCB Retention	None
Packaging Type	Tray
Pitch - Mating Interface (in)	0.079 In
Pitch - Mating Interface (mm)	2.00 mm
Pitch - Term. Interface (in)	0.079 In
Pitch - Term. Interface (mm)	2.00 mm
Plating min: Mating (µin)	30
Plating min: Mating (µm)	0.76
Polarized to Mating Part	No
Polarized to PCB	No
Shrouded	No
Stackable	No
Temperature Range - Operating	-55°C to +105°C
Termination Interface: Style	Through Hole

Electrical

Current - Maximum per Contact	2A
Voltage - Maximum	125V

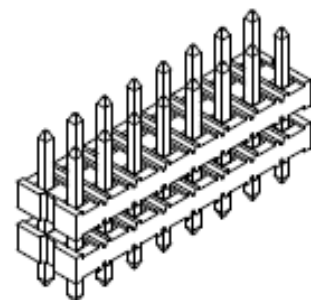


image - Reference only

Series

EU RoHS

**ELV and RoHS
Compliant**
**REACH SVHC
Contains SVHC: No**
**Halogen-Free
Status**

China RoHS



Not Reviewed

**Need more information on product
environmental compliance?**

Email productcompliance@molex.com
For a multiple part number RoHS Certificate of Compliance, [click here](#)

Please visit the [Contact Us](#) section for any non-product compliance questions.

Search Parts in this Series

[87761Series](#)

Mates With

[79109 Board-to-Board Top/Bottom Entry SMT Receptacle](#)

Solder Process Data

Duration at Max. Process Temperature (seconds)	10
Lead-free Process Capability	Wave Capable (TH only)
Max. Cycles at Max. Process Temperature	3
Process Temperature max. C	250

Material Info**Reference - Drawing Numbers**

Product Specification	PS-87761-100
Sales Drawing	SD-87761-102

This document was generated on 05/26/2010

PLEASE CHECK WWW.MOLEX.COM FOR LATEST PART INFORMATION

10 9 8 7 6 5 4 3 2 1

PART NO.	CKT SIZE	DIM A	DIM B
87761-4408	44	43.90	42.00

F

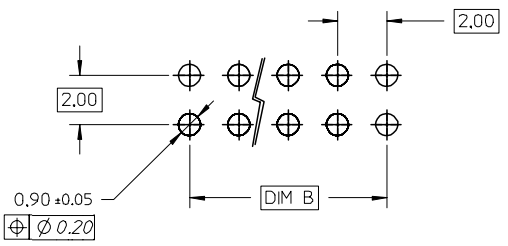
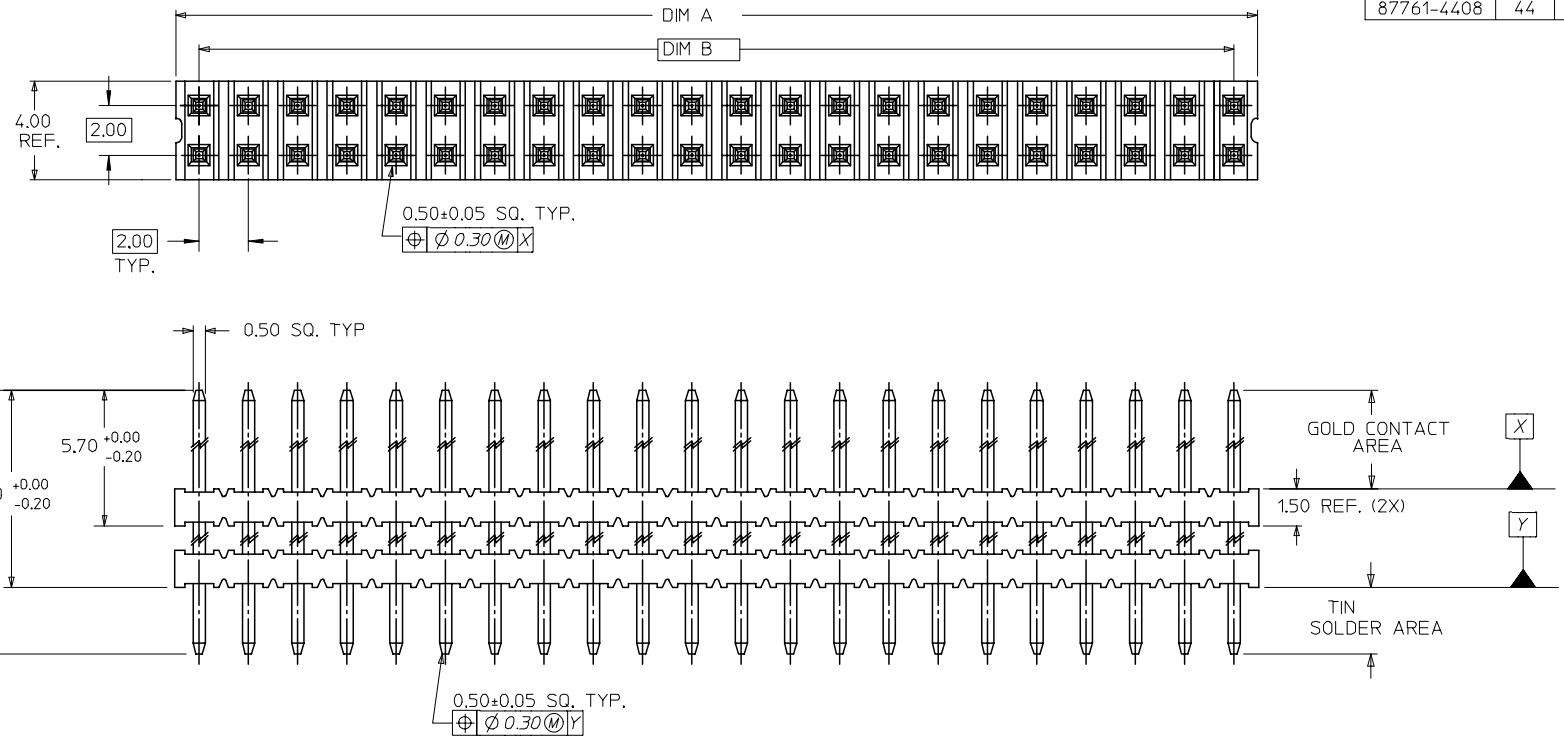
E

D

C

B

A



NOTES:

- 1) PLATING :
0.76um MIN. GOLD SELECTIVE IN CONTACT AREA, AND
1.90um MIN. TIN SELECTIVE IN SOLDER AREA, BOTH
OVER 1.27um MIN. NICKEL OVERALL.
- 2) PRODUCT SPECIFICATION PS-87049 APPLIES.

EC NO: S2004-0270 DRAWN:RSHAN 2003/11/20 CHKD:KCLING 2003/11/20 APPR:SKTOH 2003/11/20	QUALITY SYMBOLS	GENERAL TOLERANCES (UNLESS SPECIFIED)	SCALE NTS	DESIGN UNITS METRIC	THIRD ANGLE PROJECTION	REVISE ON CAD ONLY
		4 PLACES ± --- ± ---	mm	MM ONLY	TITLE MILLI-GRID 2MM VERTICAL (DUAL WAFER) ASSEMBLY	MOLEX INCORPORATED
		3 PLACES ± --- ± ---	INCH	DIMENSION STYLE		
		2 PLACES ± 0.20 ± ---		DRAWN BY RSHAN	DATE 2003/11/12	MATERIAL NO. SEE TABLE
A	DESCRIPTION	DRAFT WHERE APPLICABLE MUST REMAIN WITHIN DIMENSIONS	APPROVED BY SKTOH	DATE 2003/11/19	THIS DRAWING CONTAINS INFORMATION THAT IS PROPRIETARY TO MOLEX INCORPORATED AND SHOULD NOT BE USED WITHOUT WRITTEN PERMISSION	

9 8 7 6 5 4 3 2 1

A3