

PLEASE CHECK WWW.MOLEX.COM FOR LATEST PART INFORMATION

Part Number: [0352840610](#)
Status: **Active**
Description: 2.28mm (.090") Tab Wire-to-Wire Uniconn Housing, Female, 6 Circuits

Documents:

[3D Model](#) [Product Specification PS-35282-001 \(PDF\)](#)
[Drawing \(PDF\)](#) [RoHS Certificate of Compliance \(PDF\)](#)

General

Product Family Crimp Housings
 Series [35284](#)
 Product Name Uniconn

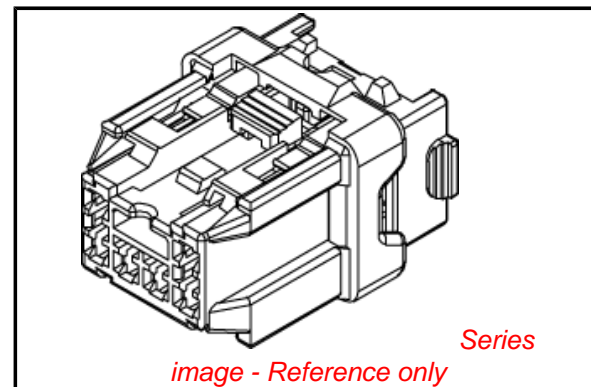
Physical

Circuits (maximum) 6
 Color - Resin Black, Natural
 Gender Female
 Glow-Wire Compliant No
 Material - Resin Polyester
 Number of Rows 2
 Packaging Type Bag
 Panel Mount No
 Pitch - Mating Interface (in) 0.150 In
 Pitch - Mating Interface (mm) 3.80 mm
 Temperature Range - Operating -40°C to +80°C

Material Info

Reference - Drawing Numbers

Product Specification PS-35282-001
 Sales Drawing SD-35284-001, SD-35284-0610



EU RoHS

ELV and RoHS Compliant
REACH SVHC
 Not Reviewed
Halogen-Free Status

China RoHS



Need more information on product environmental compliance?

Email productcompliance@molex.com
 For a multiple part number RoHS Certificate of Compliance, [click here](#)

Please visit the [Contact Us](#) section for any non-product compliance questions.

Search Parts in this Series

[35284Series](#)

Mates With

[35282](#)

Use With

[35420](#) , [35421](#)

8 7 6 5 4 3 2 1

ENG. NO.

EDP NO.

SIMILAR ITEM

PROJECT NO.

F

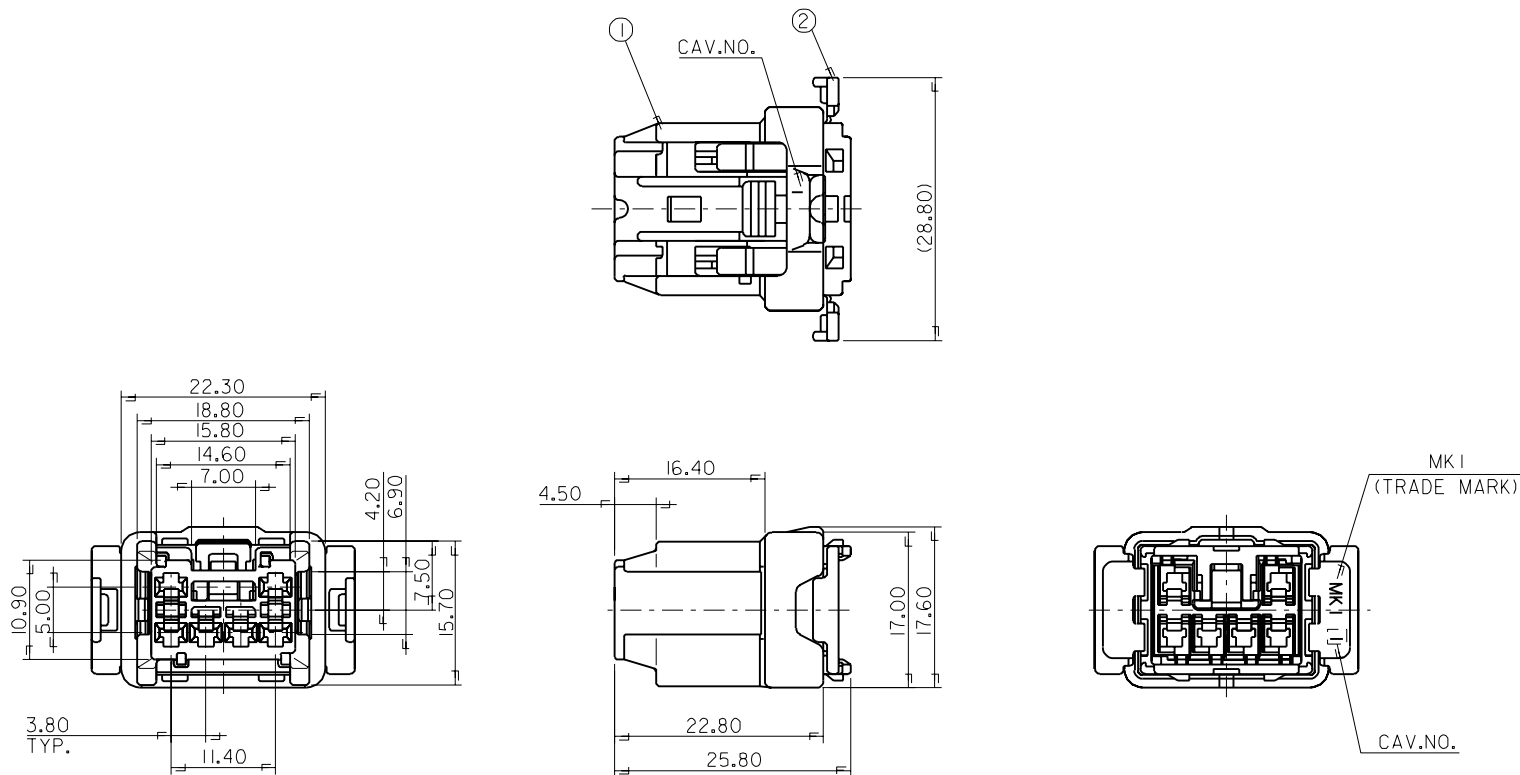
E

D

C

B

A



	PART NO.	PART NAME	MATERIAL
①	35284-0690	.090 W/W FEMALE HOUSING-6P	PBT,NATURAL
②	35285-0681	.090 W/W FEMALE HSG TPA-6P	PBT,BLACK

				MATERIAL SEE TABLE		molex MOLEX-KOREA CO.,LTD.	
				GENERAL TOLERANCE DIMENSION : +0.30		DRAWN BY W.Y.YANG	
				ANGLE :		CHK'D BY	
				DIMENSION CLASSIFICATION		APPD BY	
				▽ : CRITICAL ▼ : MAJOR		SCALE 2:1	
				() : REFERENCE		TITLE : UNICONN FEMALE ASS'Y-6P	
A	NEW RELEASE	KOR 97-0150	97.11.17	ASS'Y PART DESCRIPTION ENG. NO.		SHEET 1/1	
LTR	REVISION RECORD	ECN	DATE	REVISE ONLY ON CAD SYSTEM		ENG. NO. SD 35284-0610	
						REV A	

THIS DRAWING CONTAINS INFORMATION THAT IS PROPRIETARY TO MOLEX(KOREA) AND SHOULD NOT BE USED WITHOUT WRITTEN PERMISSION MX-A3(ANSI:290,420)