



# DIM100WHS17-E000

## Half Bridge IGBT Module

PDS5719-1.2 February 2004

### FEATURES

- Trench Gate Field Stop Technology
- Low Conduction Losses
- Low Switching Losses
- 10 $\mu$ s Short Circuit Withstand

### APPLICATIONS

- Motor Drives
- Wind Turbines
- UPS Systems

The Powerline range of high power modules includes half bridge, chopper, dual, single and bi-directional switch configurations covering voltages from 600V to 3300V and currents up to 3600A.

The DIM100WHS17-E000 is a half bridge 1700V, n channel enhancement mode, insulated gate bipolar transistor (IGBT) module. The IGBT has a wide reverse bias safe operating area (RBSOA) plus full 10 $\mu$ s short circuit withstand.

The module incorporates an electrically isolated base plate and low inductance construction enabling circuit designers to optimise circuit layouts and utilise grounded heat sinks for safety.

### ORDERING INFORMATION

Order As:

**DIM100WHS17-E000**

Note: When ordering, please use the complete part number.

### KEY PARAMETERS

$V_{CES}$		<b>1700V</b>
$V_{CE(sat)}$	<b>(typ)</b>	<b>2.0V</b>
$I_C$	<b>(max)</b>	<b>100A</b>
$I_{C(PK)}$	<b>(max)</b>	<b>200A</b>

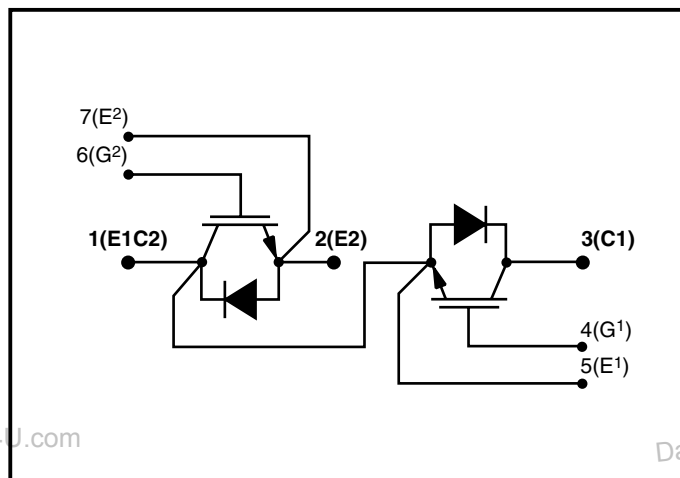


Fig. 1 Half bridge circuit diagram



Outline type code: W

(See package details for further information)

Fig. 2 Module Outline

Caution: This device is sensitive to electrostatic discharge. Users should follow ESD handling procedures.

[www.dynexsemi.com](http://www.dynexsemi.com)

1/8

[www.DataSheet4U.com](http://www.DataSheet4U.com)

## ABSOLUTE MAXIMUM RATINGS - PER ARM

Stresses above those listed under 'Absolute Maximum Ratings' may cause permanent damage to the device. In extreme conditions, as with all semiconductors, this may include potentially hazardous rupture of the package. Appropriate safety precautions should always be followed. Exposure to Absolute Maximum Ratings may affect device reliability.

$T_{case} = 25^{\circ}\text{C}$  unless stated otherwise

Symbol	Parameter	Test Conditions	Max.	Units
$V_{CES}$	Collector-emitter voltage	$V_{GE} = 0\text{V}$	1700	V
$V_{GES}$	Gate-emitter voltage	-	$\pm 20$	V
$I_C$	Continuous collector current	$T_{case} = 80^{\circ}\text{C}$	100	A
$I_{C(PK)}$	Peak collector current	1ms, $T_{case} = 110^{\circ}\text{C}$	200	A
$P_{max}$	Max. transistor power dissipation	$T_{case} = 25^{\circ}\text{C}$ , $T_j = 150^{\circ}\text{C}$	625	W
$I^2t$	Diode $I^2t$ value	$V_R = 0$ , $t_p = 10\text{ms}$ , $T_{vj} = 125^{\circ}\text{C}$	1.4	$\text{kA}^2\text{s}$
$V_{isol}$	Isolation voltage - per module	Commoned terminals to base plate. AC RMS, 1 min, 50Hz	4.0	kV
$Q_{PD}$	Partial discharge - per module	IEC1287. $V_1 = 1800\text{V}$ , $V_2 = 1300\text{V}$ , 50Hz RMS	10	pC

## THERMAL AND MECHANICAL RATINGS

DataSheet4U.com

Internal insulation:  $\text{Al}_2\text{O}_3$ 

Clearance: 13mm

Baseplate material: Cu

CTI (Critical Tracking Index): 175

Creepage distance: 24mm

Symbol	Parameter	Test Conditions	Min.	Typ.	Max.	Units
$R_{th(j-c)}$	Thermal resistance - transistor (per arm)	Continuous dissipation - junction to case	-	-	0.2	$^{\circ}\text{C}/\text{W}$
$R_{th(j-c)}$	Thermal resistance - diode (per arm)	Continuous dissipation - junction to case	-	-	0.36	$^{\circ}\text{C}/\text{W}$
$R_{th(c-h)}$	Thermal resistance - case to heatsink (per module)	Mounting torque 5Nm (with mounting grease)	-	-	0.15	$^{\circ}\text{C}/\text{W}$
$T_j$	Junction temperature	Transistor	-	-	150	$^{\circ}\text{C}$
		Diode	-	-	125	$^{\circ}\text{C}$
$T_{stg}$	Storage temperature range	-	-40	-	125	$^{\circ}\text{C}$
-	Screw torque	Mounting - M6	3	-	5	Nm
		Electrical connections - M6	2.5	-	5	Nm

## ELECTRICAL CHARACTERISTICS

$T_{case} = 25^{\circ}\text{C}$  unless stated otherwise.

Symbol	Parameter	Test Conditions	Min.	Typ.	Max.	Units	
$I_{CES}$	Collector cut-off current	$V_{GE} = 0\text{V}, V_{CE} = V_{CES}$	-	-	0.25	mA	
		$V_{GE} = 0\text{V}, V_{CE} = V_{CES}, T_{case} = 125^{\circ}\text{C}$	-	-	1.25	mA	
$I_{GES}$	Gate leakage current	$V_{GE} = \pm 20\text{V}, V_{CE} = 0\text{V}$	-	-	200	nA	
$V_{GE(TH)}$	Gate threshold voltage	$I_C = 4\text{mA}, V_{GE} = V_{CE}$	5.2	5.8	6.4	V	
$V_{CE(sat)}$	Collector-emitter saturation voltage	$V_{GE} = 15\text{V}, I_C = 100\text{A}$	-	2.0	2.4	V	
		$V_{GE} = 15\text{V}, I_C = 100\text{A}, T_{case} = 125^{\circ}\text{C}$	-	2.3	3.0	V	
$I_F$	Diode forward current	DC	-	-	100	A	
$I_{FM}$	Diode maximum forward current	$t_p = 1\text{ms}$	-	-	200	A	
$V_F$	Diode forward voltage	$I_F = 100\text{A}$	-	1.9	2.3	V	
		$I_F = 100\text{A}, T_{case} = 125^{\circ}\text{C}$	-	2.0	2.4	V	
$C_{ies}$	Input capacitance	$V_{CE} = 25\text{V}, V_{GE} = 0\text{V}, f = 1\text{MHz}$	-	9.5	-	nF	
$L_M$	Module inductance	-	-	20	-	nH	
$R_{INT}$	Internal transistor resistance - per arm	-	-	0.6	-	m $\Omega$	
$SC_{Data}$	Short circuit. $I_{SC}$	$T_J = 125^{\circ}\text{C}, V_{CC} = 900\text{V},$	$I_1$	-	438	-	A
		$t_p \leq 10\mu\text{s}, V_{CE(max)} = V_{CES} - L^* \cdot di/dt$ IEC 60747-9	$I_2$	-	375	-	A

**Note:**

$L^*$  is the circuit inductance +  $L_M$

## ELECTRICAL CHARACTERISTICS

 $T_{\text{case}} = 25^{\circ}\text{C}$  unless stated otherwise

Symbol	Parameter	Test Conditions	Min.	Typ.	Max.	Units
$t_{d(\text{off})}$	Turn-off delay time	$I_C = 100\text{A}$ $V_{GE} = \pm 15\text{V}$ $V_{CE} = 900\text{V}$ $R_{G(\text{ON})} = R_{G(\text{OFF})} = 15\Omega$ $L \sim 70\text{nH}$	-	750	-	ns
$t_f$	Fall time		-	200	-	ns
$E_{\text{OFF}}$	Turn-off energy loss		-	20	-	mJ
$t_{d(\text{on})}$	Turn-on delay time		-	275	-	ns
$t_r$	Rise time		-	100	-	ns
$E_{\text{ON}}$	Turn-on energy loss		-	32	-	mJ
$Q_g$	Gate charge		-	1.1	-	$\mu\text{C}$
$Q_{rr}$	Diode reverse recovery charge	$I_F = 100\text{A}, V_R = 900\text{V},$ $dI_F/dt = 1400\text{A}/\mu\text{s}$	-	25	-	$\mu\text{C}$
$I_{rr}$	Diode reverse current		-	110	-	A
$E_{\text{REC}}$	Diode reverse recovery energy		-	10	-	mJ

et4U.com

DataSheet4U.com

DataShe

 $T_{\text{case}} = 125^{\circ}\text{C}$  unless stated otherwise

Symbol	Parameter	Test Conditions	Min.	Typ.	Max.	Units
$t_{d(\text{off})}$	Turn-off delay time	$I_C = 100\text{A}$ $V_{GE} = \pm 15\text{V}$ $V_{CE} = 900\text{V}$ $R_{G(\text{ON})} = R_{G(\text{OFF})} = 15\Omega$ $L \sim 70\text{nH}$	-	850	-	ns
$t_f$	Fall time		-	200	-	ns
$E_{\text{OFF}}$	Turn-off energy loss		-	30	-	mJ
$t_{d(\text{on})}$	Turn-on delay time		-	350	-	ns
$t_r$	Rise time		-	100	-	ns
$E_{\text{ON}}$	Turn-on energy loss		-	42	-	mJ
$Q_{rr}$	Diode reverse recovery charge		$I_F = 100\text{A}, V_R = 900\text{V},$ $dI_F/dt = 1400\text{A}/\mu\text{s}$	-	40	-
$I_{rr}$	Diode reverse current	-		120	-	A
$E_{\text{REC}}$	Diode reverse recovery energy	-		17.5	-	mJ

**Note:**

Switching Characteristic measurements taken using standard driver circuit conditions.

TYPICAL CHARACTERISTICS

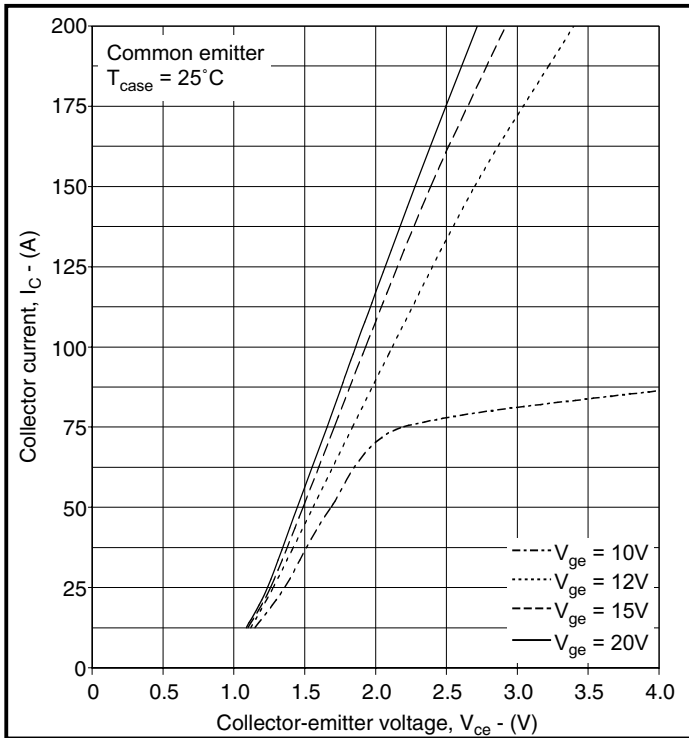


Fig. 3 Typical output characteristics

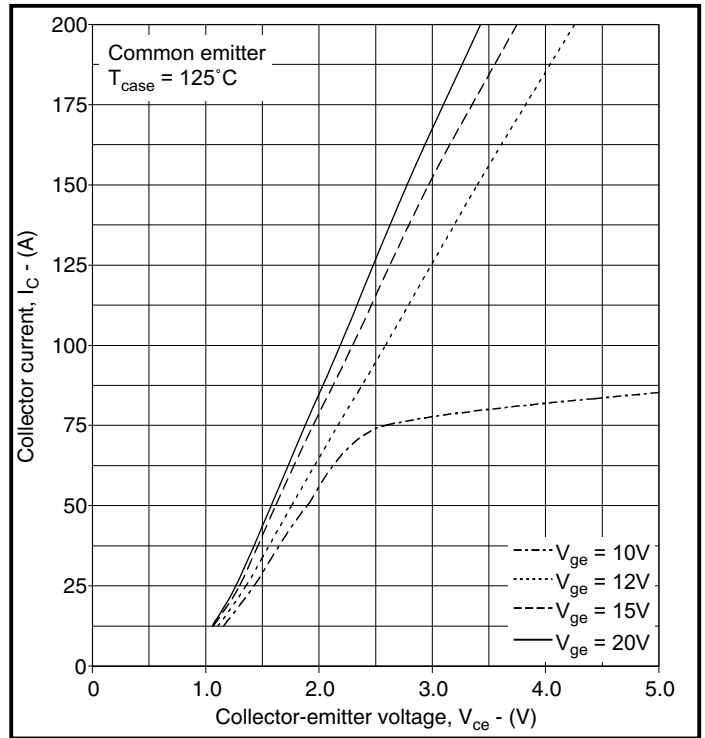


Fig. 4 Typical output characteristics

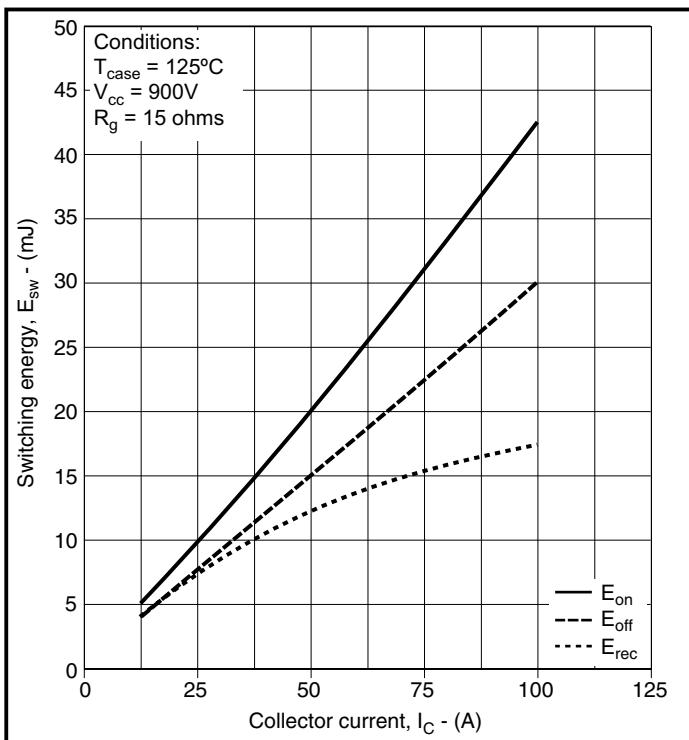


Fig. 5 Typical switching energy vs collector current

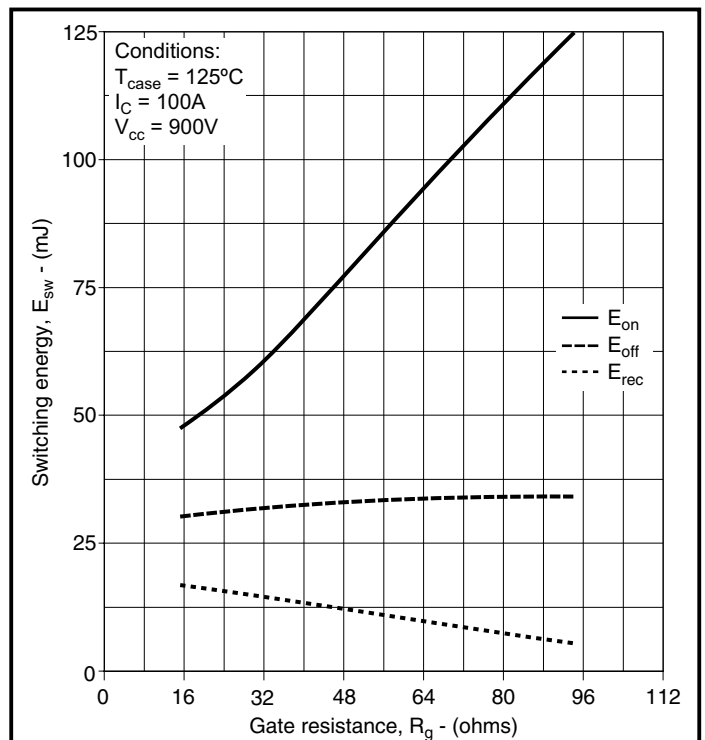
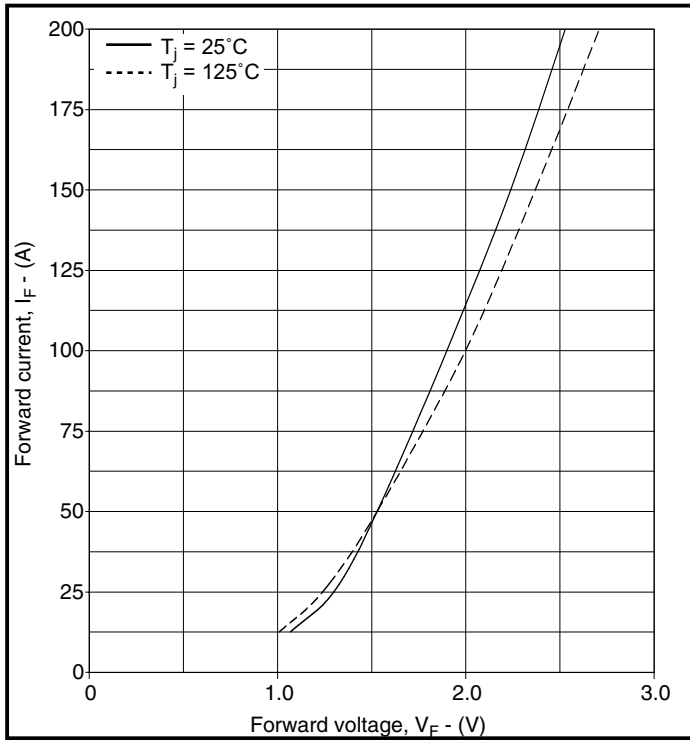
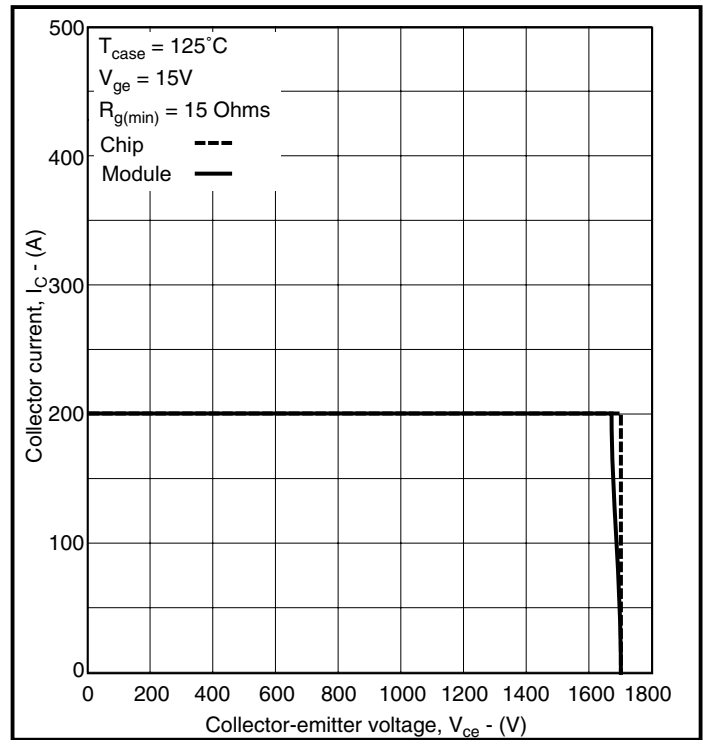


Fig. 6 Typical switching energy vs gate resistance

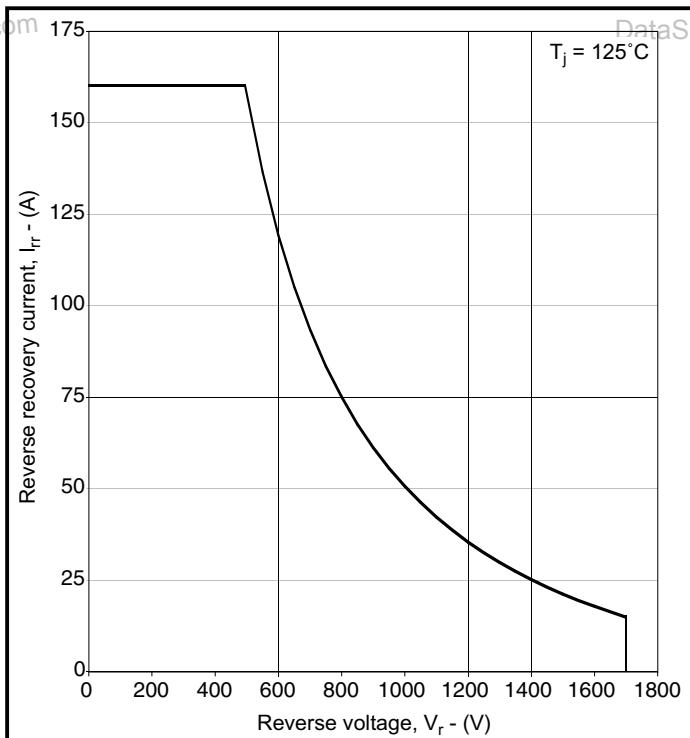
Caution: This device is sensitive to electrostatic discharge. Users should follow ESD handling procedures.



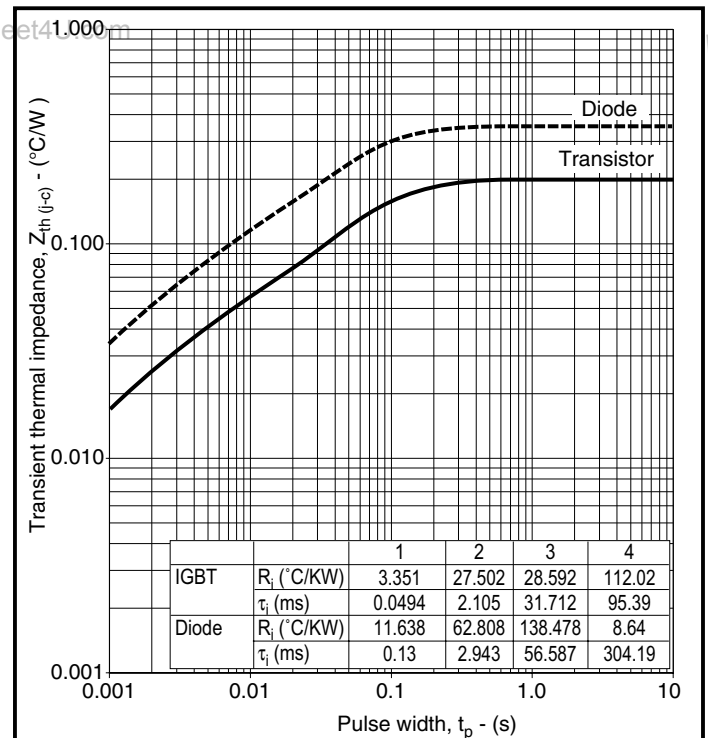
**Fig. 7 Diode typical forward characteristics**



**Fig. 8 IGBT reverse bias safe operating area**



**Fig. 9 Diode reverse bias safe operating area**



**Fig. 10 Transient thermal impedance**

## PACKAGE DETAILS

For further package information, please visit our website or contact Customer Services. All dimensions in mm, unless stated otherwise. DO NOT SCALE.

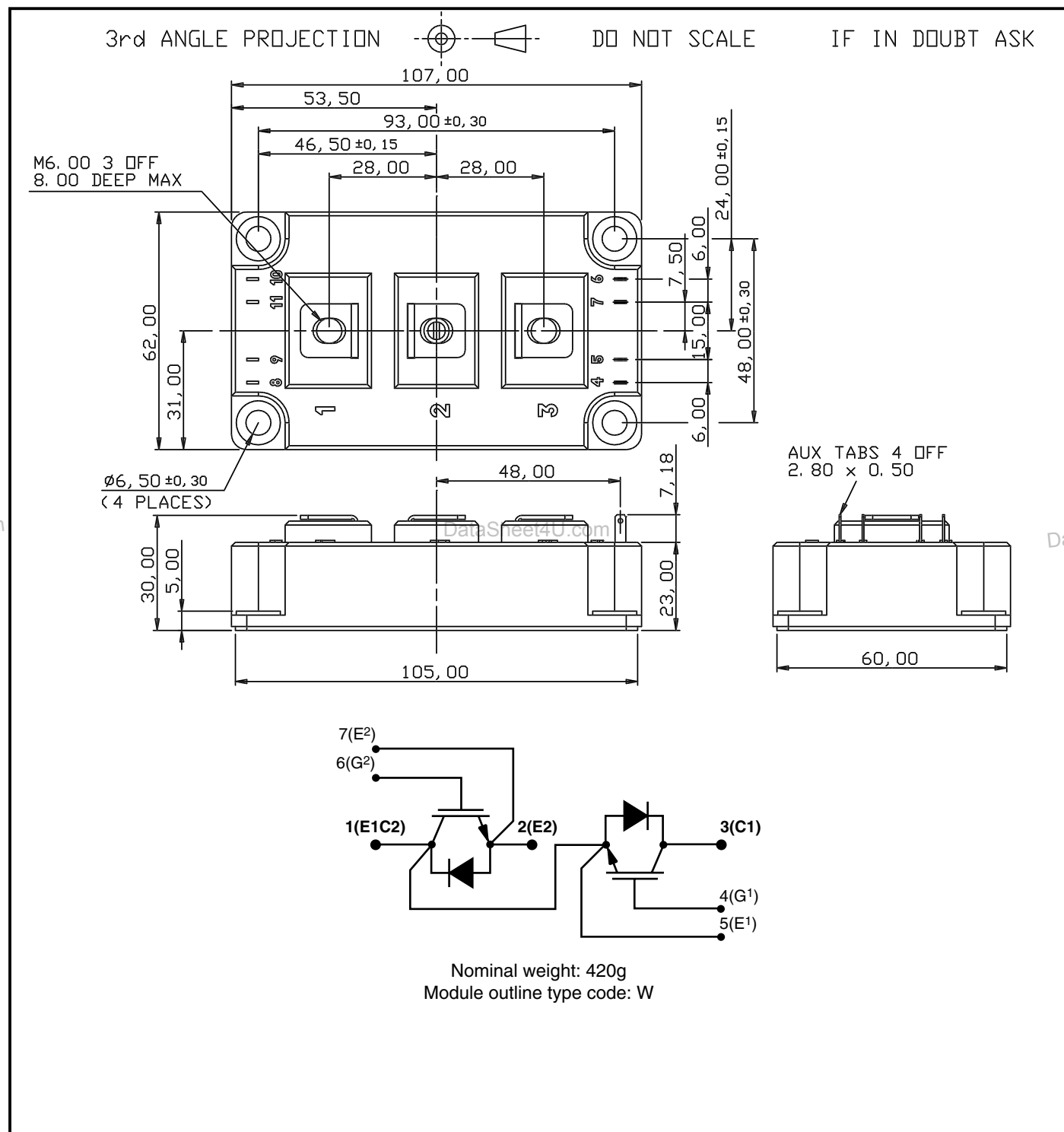


Fig. 11 Package details

Caution: This device is sensitive to electrostatic discharge. Users should follow ESD handling procedures.



## POWER ASSEMBLY CAPABILITY

The Power Assembly group was set up to provide a support service for those customers requiring more than the basic semiconductor, and has developed a flexible range of heatsink and clamping systems in line with advances in device voltages and current capability of our semiconductors.

We offer an extensive range of air and liquid cooled assemblies covering the full range of circuit designs in general use today. The Assembly group offers high quality engineering support dedicated to designing new units to satisfy the growing needs of our customers.

Using the latest CAD methods our team of design and applications engineers aim to provide the Power Assembly Complete Solution (PACs).

## HEATSINKS

The Power Assembly group has its own proprietary range of extruded aluminium heatsinks which have been designed to optimise the performance of Dynex semiconductors. Data with respect to air natural, forced air and liquid cooling (with flow rates) is available on request.

For further information on device clamps, heatsinks and assemblies, please contact your nearest sales representative or Customer Services.

et4U.com

DataSheet4U.com



<http://www.dynexsemi.com>

**e-mail: [power\\_solutions@dynexsemi.com](mailto:power_solutions@dynexsemi.com)**

**HEADQUARTERS OPERATIONS**  
**DYNEX SEMICONDUCTOR LTD**  
 Doddington Road, LincIn.  
 Lincolnshire. LN6 3LF. United Kingdom.  
 Tel: +44-(0)1522-500500  
 Fax: +44-(0)1522-500550

**CUSTOMER SERVICE**  
 Tel: +44 (0)1522 502753 / 502901. Fax: +44 (0)1522 500020

**SALES OFFICES**  
**Benelux, Italy & Switzerland:** Tel: +33 (0)1 64 66 42 17. Fax: +33 (0)1 64 66 42 19.  
**France:** Tel: +33 (0)2 47 55 75 53. Fax: +33 (0)2 47 55 75 59.  
**Germany, Northern Europe, Spain & Rest Of World:** Tel: +44 (0)1522 502753 / 502901.  
 Fax: +44 (0)1522 500020  
**North America:** Tel: (440) 259-2060. Fax: (440) 259-2059. Tel: (949) 733-3005. Fax: (949) 733-2986.

These offices are supported by Representatives and Distributors in many countries world-wide.  
 © Dynex Semiconductor 2003 TECHNICAL DOCUMENTATION – NOT FOR RESALE. PRODUCED IN UNITED KINGDOM

This publication is issued to provide information only which (unless agreed by the Company in writing) may not be used, applied or reproduced for any purpose nor form part of any order or contract nor to be regarded as a representation relating to the products or services concerned. No warranty or guarantee express or implied is made regarding the capability, performance or suitability of any product or service. The Company reserves the right to alter without prior notice the specification, design or price of any product or service. Information concerning possible methods of use is provided as a guide only and does not constitute any guarantee that such methods of use will be satisfactory in a specific piece of equipment. It is the user's responsibility to fully determine the performance and suitability of any equipment using such information and to ensure that any publication or data used is up to date and has not been superseded. These products are not suitable for use in any medical products whose failure to perform may result in significant injury or death to the user. All products and materials are sold and services provided subject to the Company's conditions of sale, which are available on request.

All brand names and product names used in this publication are trademarks, registered trademarks or trade names of their respective owners.