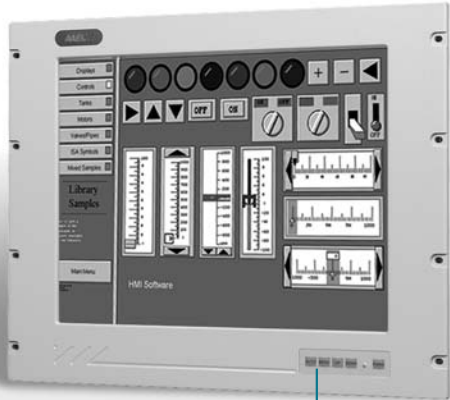


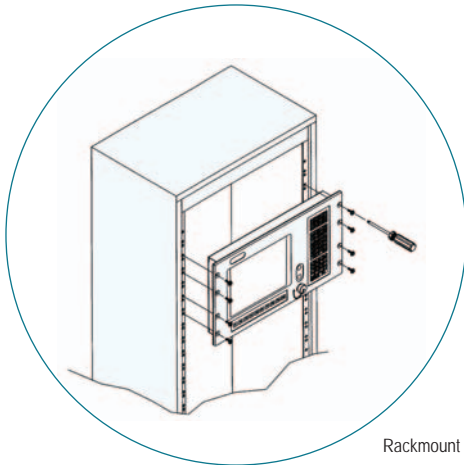
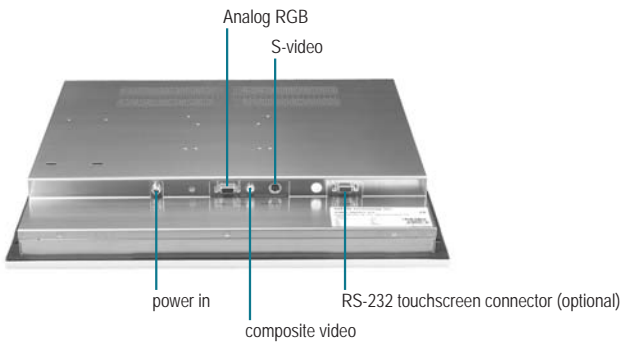
# APD-7181 (AMB-280A)

## 18" TFT Industrial Display Monitor

Industrial Computing Platform Partner



On Screen Display



### Features

- 18" TFT SXGA LCD
- Stainless Steel Closed-frame Architecture with IP-65 Certified Aluminum Front Panel
- RGB, Composite Video, S-video Input Signal Selectable
- Picture-In-Picture Function Enable
- VESA 75/100mm Standard Screw Holes

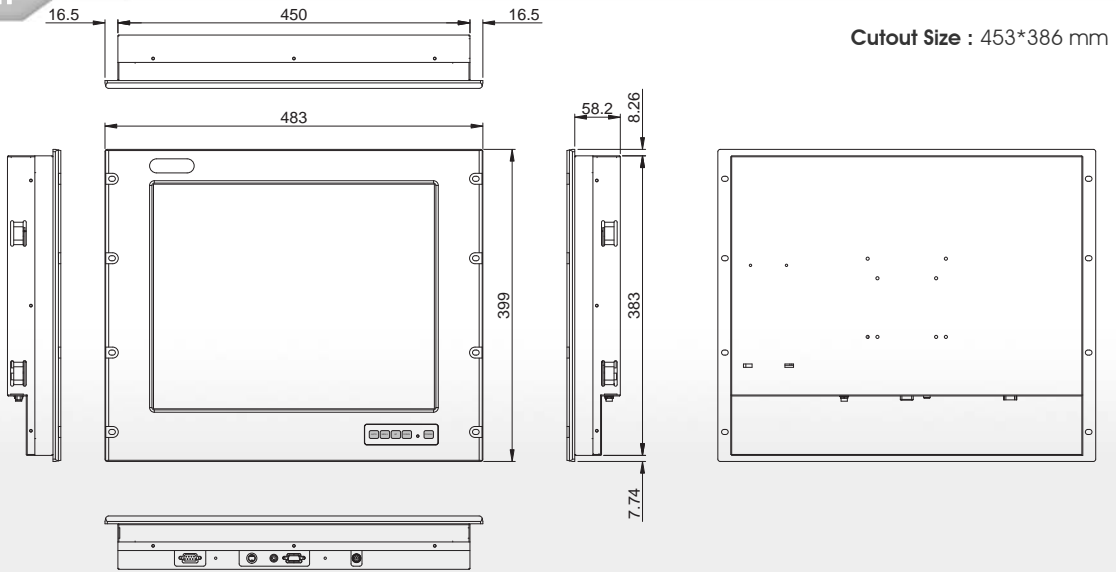


### Specifications

System	
Input Signal	RGB, Composite video, S-video
On Screen Display Control	Brightness, Contrast, Phase, Sharpness, AutoTune, PIP, H/V-position
OS support	MS DOS, Windows® 2000, Windows® XP
Mechanical	
Construction	Stainless steel chassis & aluminum alloy front panel
Front Panel Color	RAL 7035
Mounting	Panelmount or Rackmount Optional: Wallmount kit, Swivel ARM
Dimension	19" (W) x 15.7" (H) x 2.7" (D) (483mm x 399mm x 68.2mm)
Carton Dimension	25" (W) x 24.9" (H) x 11.2" (D) (636mm x 631mm x 283mm)
Gross Weight	29.8lb (13.5Kg)
Environmental	
Operating Temperature	32°F ~ 113°F (0°C ~ 45°C)
Storage Temperature	-4°F ~ 140°F (-20°C ~ 60°C)
Operating Humidity	10 to 90% @ 40°C, non-condensing, without touchscreen
Vibration	1G / 5 ~ 500Hz (Random) / Operation
Shock	15G peak acceleration (11 msec. duration) / Operation
EMC	CE/FCC Class A
Power Supply	
External Power Adaptor 60W	Input: 100 to 240 ±10%V AC, Full Range Output: +12V DC @5A

## Dimension

Unit : mm



Cutout Size : 453\*386 mm

LCD	
Display Type	18" color TFT LCD
Max. Resolution	1280 x 1024
Max. Colors	16.2M
Dot Size	0.2805mm x 0.2805mm
Luminance	250 cd/m <sup>2</sup> (TYP)
Viewing Angle	160° (H) 160° (V)
Brightness Control	Yes
Back Light MTBF	40,000 hrs
Touchscreen (optional)	
Type	8-wire, analog resistive
Resolution	2048 x 2048
Light Transmission	75%
Lifetime	1 million activations
OS Support	MS DOS, Windows® 2000, Windows® XP

## Ordering Information

- **AMB-280A-D**  
18" SXGA TFT Display Monitor
- **AMB-280AT-D**  
AMB-280A-D with Resistive Touchscreen

## Optional Accessories

- **ARM-LA0115**  
Swivel Arm with VESA 75/100mm Standards
- **ARM-WK075-0**  
Wallmount Kit with VESA 75/100mm Standards