

**PLEASE CHECK WWW.MOLEX.COM FOR LATEST PART INFORMATION**

**Part Number:** [0679260040](#)  
**Status:** **Active**  
**Overview:** [serial ata power connector](#)  
**Description:** Cover for Serial ATA IDT Power Receptacle, Feed To Type, 5 Circuits, Black

**Documents:**

[3D Model](#) [RoHS Certificate of Compliance \(PDF\)](#)  
[Drawing \(PDF\)](#)

**General**

Product Family	Accessories
Series	<a href="#">67926</a>
Comments	Non-Halogen Free
Component Type	Actuator, Cover
Overview	<a href="#">serial ata power connector</a>
Product Name	Serial ATA

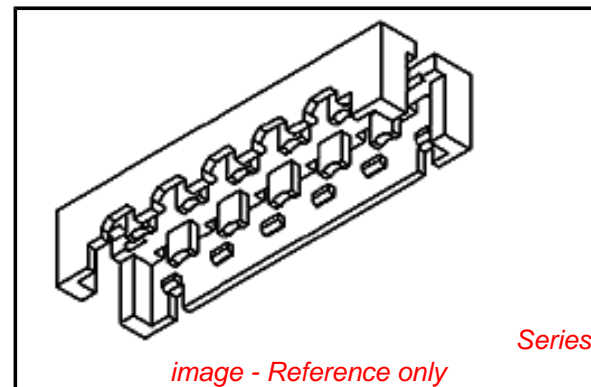
**Physical**

Circuits (Loaded)	5
Color - Resin	Black
Material - Resin	Polyester
Number of Rows	2
Packaging Type	Bag
Polarized to Mating Part	Yes
Termination Interface: Style	IDT or Pierce

**Material Info**

**Reference - Drawing Numbers**

Sales Drawing	SD-67926-003
---------------	--------------



*image - Reference only*

**EU RoHS**

**ELV and RoHS  
Compliant**

**REACH SVHC**

Not Reviewed

**Halogen-Free**

**Status**

**Not Halogen-Free**

**China RoHS**



**Need more information on product  
environmental compliance?**

Email [productcompliance@molex.com](mailto:productcompliance@molex.com)  
 For a multiple part number RoHS Certificate of  
 Compliance, [click here](#)

Please visit the [Contact Us](#) section for any  
 non-product compliance questions.

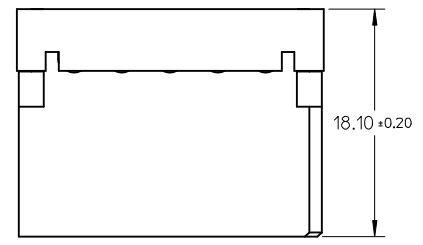
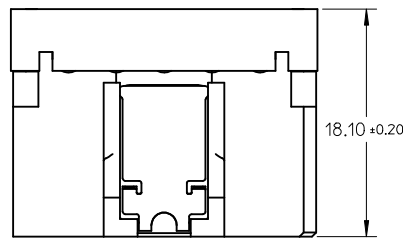
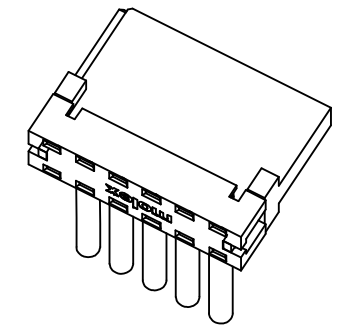
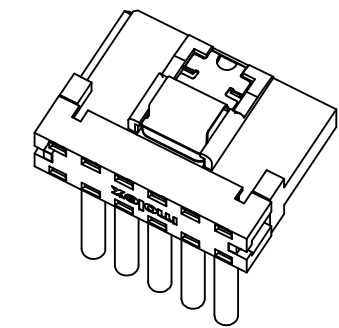
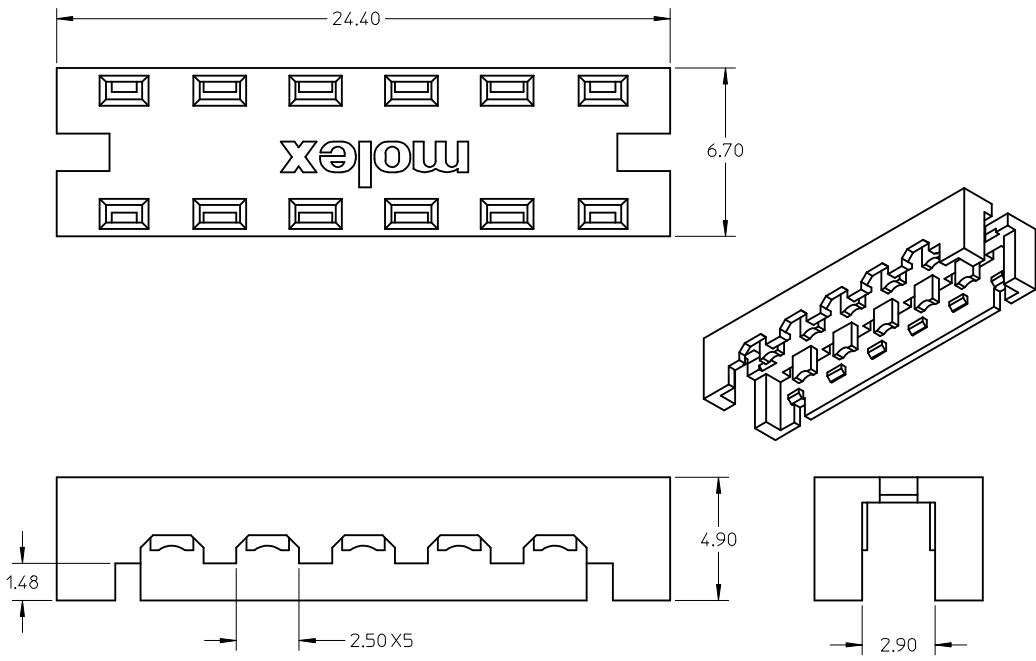
**Search Parts in this Series**

[67926Series](#)

**Use With**

[67926 IDT Power Receptacles](#)

10 9 8 7 6 5 4 3 2 1



APPLICATION FOR WITH LATCH TYPE

APPLICATION FOR WITHOUT LATCH TYPE

- NOTE**
- 1 MATERIAL: THERMAL PLASTIC, COLOR: BLACK UL94V-0.
  - 2 THIS COVER IS FEED TO TYPE, IT IS AVAILABLE FOR 67926-000\*/002\*(WITH LATCH), 67926-001\*(WITHOUT LATCH).
  - 3 PACKAGE SPEC:
    - 3.1 1000 PCS IN ONE BAG.
    - 3.2 3000 PCS(3 PAGES) IN ONE INNER CARTON.
    - 3.3 12,000 PCS(4 INNER CARTONS) IN ONE OUTER CARTON.

P/N	REMARK
67926-0040	NON HALOGEN-FREE
67926-0840	HALOGEN-FREE

ADD PART NUMBER EC NO: SH2009-0536 TDRW: XJ SONG 2009/05/05 CHKD: XJ SONG 2009/06/19 APPR: HWANG 2009/06/23	DESCRIPTION REV	QUALITY SYMBOLS ▽=0 ▽=0	GENERAL TOLERANCES (UNLESS SPECIFIED)	DIMENSION STYLE MM ONLY	SCALE 5:1	DESIGN UNITS METRIC	THIRD ANGLE PROJECTION													
		<table border="1"> <thead> <tr> <th></th> <th>mm</th> <th>INCH</th> </tr> </thead> <tbody> <tr> <td>4 PLACES</td> <td>± ---</td> <td>± ---</td> </tr> <tr> <td>3 PLACES</td> <td>± ---</td> <td>± ---</td> </tr> <tr> <td>2 PLACES</td> <td>± 0.15</td> <td>± ---</td> </tr> <tr> <td>1 PLACE</td> <td>± 0.25</td> <td>± ---</td> </tr> </tbody> </table>		mm	INCH	4 PLACES	± ---	± ---	3 PLACES	± ---	± ---	2 PLACES	± 0.15	± ---	1 PLACE	± 0.25	± ---	DRAWN BY: GRATE MA DATE: 2004/04/25 CHECKED BY: YAJUN DATE: 2004/04/25 APPROVED BY: SAM DATE: 2004/04/25	TITLE FEED TO COVER FOR SATA POWER CONNECTOR IDT TYPE	MOLEX INCORPORATED SD-67926-003 SHEET NO. 1 OF 1
			mm	INCH																
		4 PLACES	± ---	± ---																
3 PLACES	± ---	± ---																		
2 PLACES	± 0.15	± ---																		
1 PLACE	± 0.25	± ---																		
ANGULAR ± 1 °	MATERIAL NO. SEE TABLE	DOCUMENT NO. SD-67926-003																		
DRAFT WHERE APPLICABLE MUST REMAIN WITHIN DIMENSIONS	SIZE A3	THIS DRAWING CONTAINS INFORMATION THAT IS PROPRIETARY TO MOLEX INCORPORATED AND SHOULD NOT BE USED WITHOUT WRITTEN PERMISSION																		

9 8 7 6 5 4 3 2 1