

# Customer Information Sheet

DRAWING No.: M80-459XX98 SHT 2 OF 2

IF IN DOUBT - ASK

(C)

NOT TO SCALE

THIRD ANGLE PROJECTION

ALL DIMENSIONS IN mm

## SPECIFICATION:

**MATERIAL:**  
 HOUSING = GLASS-FILLED POLYAMIDE 46,  
 UL94V-0, BLACK  
 IOILOK SCREW, COLLAR = STAINLESS STEEL  
 SPRING = MUSIC WIRE

**FINISH:**  
 SPRING = TIN COATED

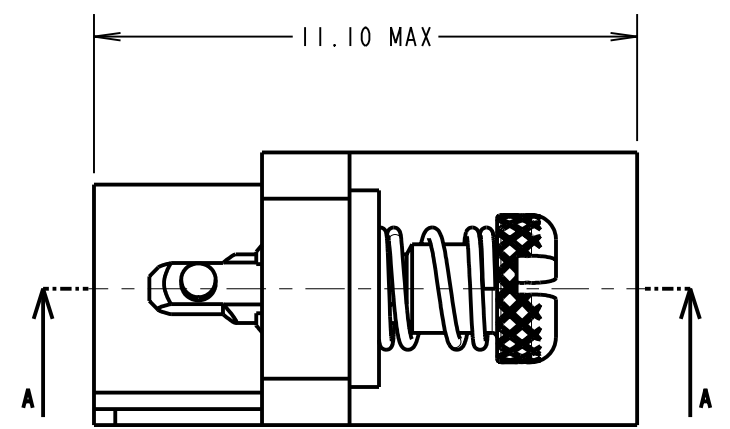
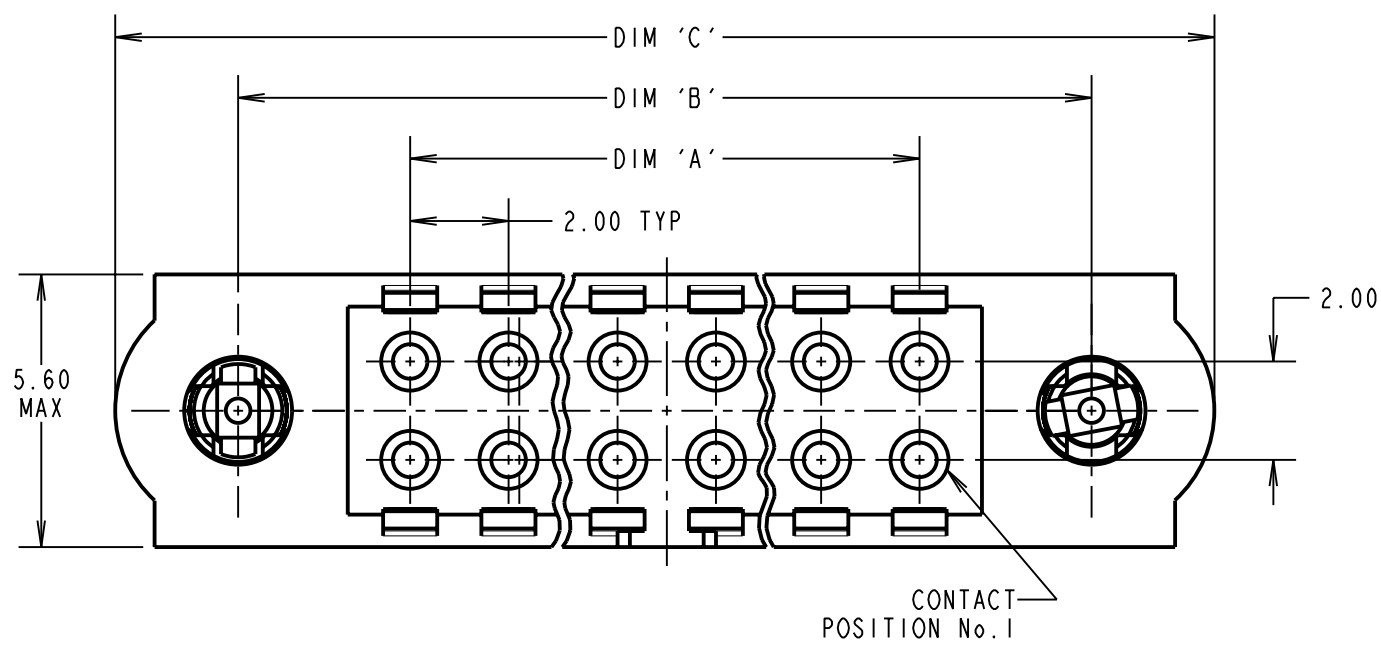
**ELECTRICAL:**  
 CURRENT RATING AT 25°C = 3.0A MAX  
 CURRENT RATING AT 85°C = 2.2A MAX  
 WORKING VOLTAGE = 120V AC/DC  
 VOLTAGE PROOF = 360V AC/DC  
 CONTACT RESISTANCE = 25 mΩ MAX  
 INSULATION RESISTANCE = 100 MΩ MIN

**MECHANICAL:**  
 DURABILITY = 500 OPERATIONS  
 INSERTION FORCE = 2.8N MAX  
 WITHDRAWAL FORCE = 0.2N MIN

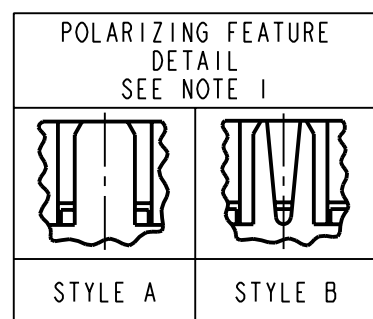
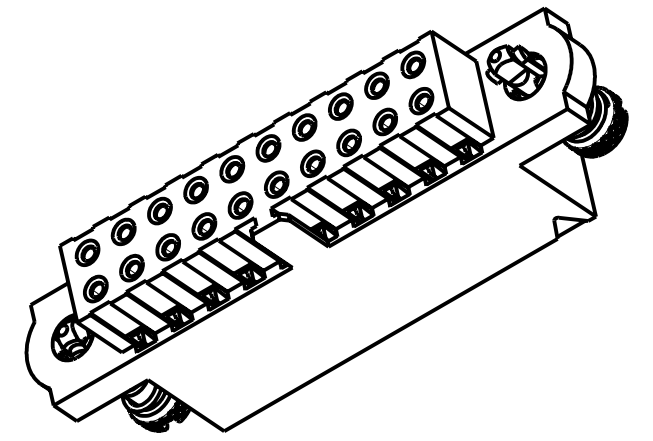
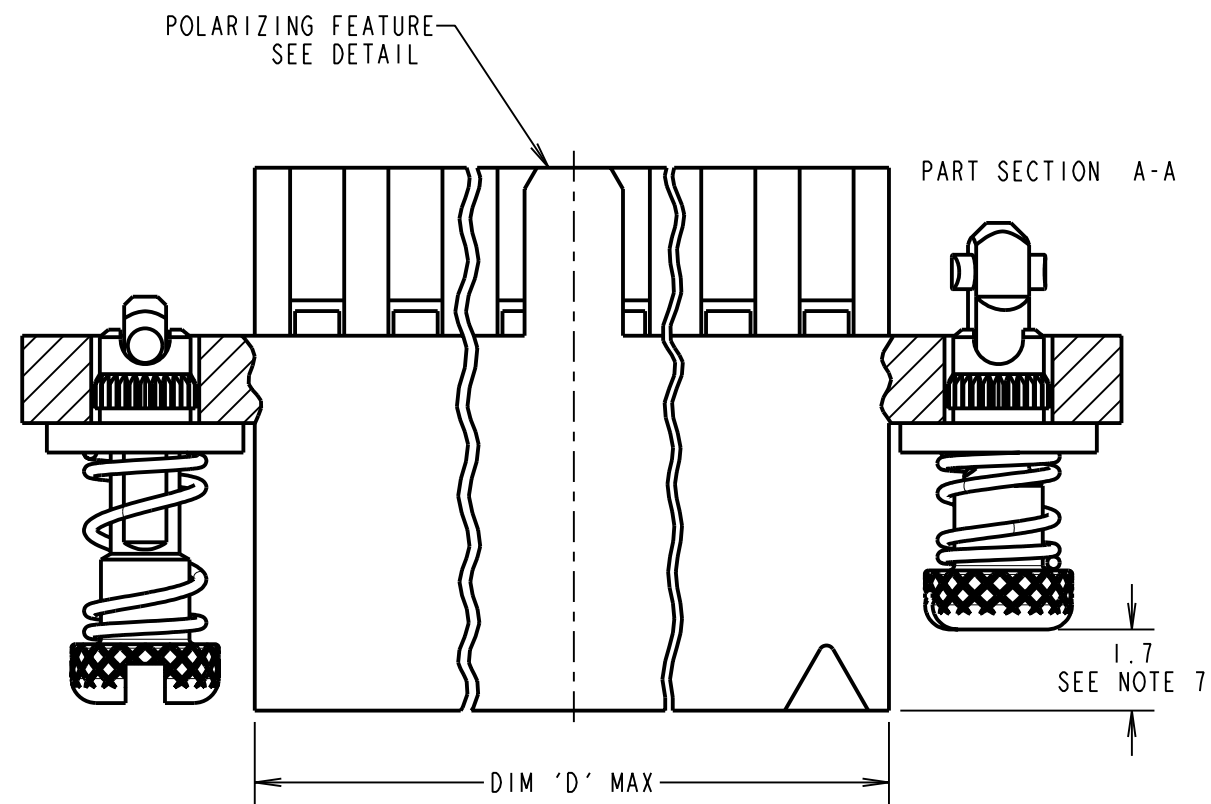
**ENVIRONMENTAL:**  
 TEMPERATURE RANGE = -55°C TO +125°C

**PACKING:**  
 BAG

FOR COMPLETE SPECIFICATION,  
 SEE COMPONENT SPECIFICATION  
 C040XX (LATEST ISSUE)



- NOTES:**
1. POLARIZING FEATURE STYLE DEPENDANT ON NUMBER OF CONTACT POSITIONS.
  2. HOUSING TO BE USED WITH DATAMATE TRIO-TEK CRIMP CONTACTS:
- M80-25300XX = 24-22 AWG REELED  
 M80-25400XX = 28-26 AWG REELED  
 M80-28300XX = 24-22 AWG LOOSE  
 M80-28400XX = 28-26 AWG LOOSE
3. THE SPECIFICATION APPLIES WHEN HOUSING IS USED WITH THE ABOVE CONTACTS.
  4. CONTACT EXTRACTION TOOL = Z80-258.
  5. INSTRUCTION SHEETS ARE AVAILABLE.
  6. SPRING LOAD WHEN SOLID = 2.64N.  
 SPRING RATE = 1.32N/mm.
  7. LENGTH WILL BE 1.7mm WHEN IOI-SCREWS ARE ENGAGED WITH RETAINERS IN MATING CONNECTOR.



ORDER CODE:  
**M80-459XX98**

TOTAL No. OF CONTACT POSITIONS (04 TO 50 (EVEN NUMBERS ONLY))

PLEASE CONTACT  
 datamate@harwin.com  
 FOR CURRENT AVAILABILITY

SF	I	07.07.09	10370
NAME	ISS.	DATE	C/NOTE
APPROVED:		SF	
CHECKED:		MGP	
DRAWN:		S.FLOWER	
CUSTOMER REF.:			
ASSEMBLY DRG:			

DIMENSION	CALCULATION
DIM 'A'	TOTAL No. OF CONTACT POSITIONS - 2
DIM 'B'	TOTAL No. OF CONTACT POSITIONS + 5
DIM 'C'	TOTAL No. OF CONTACT POSITIONS + 10
DIM 'D'	TOTAL No. OF CONTACT POSITIONS + 0.59

EXAMPLE: CONNECTOR WITH 20 CONTACT POSITIONS, M80-4592098  
 DIM 'A' = 18.00mm, DIM 'B' = 25.00mm, DIM 'C' = 30.00mm

**HARWIN**

HARWIN USA TEL: 603 893 5376 FAX: 603 893 5396 mis@harwin.com	HARWIN Europe (UK) TEL: 023 9231 4545 FAX: 023 9231 4590 mis@harwin.co.uk	HARWIN Asia TEL: +65 6 779 4909 FAX: +65 6 779 3868 mis@harwin.com.sg
--	--	--

THIS DRAWING AND ANY INFORMATION OR DESCRIPTIVE MATTER SET OUT HEREON ARE CONFIDENTIAL AND COPYRIGHT PROPERTY OF THE HARWIN GROUP AND MUST NOT BE DISCLOSED, LOANED, COPIED OR USED FOR MANUFACTURING, TENDERING OR FOR ANY OTHER PURPOSE WITHOUT THEIR WRITTEN PERMISSION.

**TOLERANCES**  
 X. = ±1mm  
 X.X = ±0.25mm  
 X.XX = ±0.10mm  
 X.XXX = ±0.01mm  
 ANGLES = ±5°  
 UNLESS STATED

**MATERIAL:**  
 SEE ABOVE

**FINISH:**

**S/AREA:** mm<sup>2</sup>

**TITLE:** DATAMATE TRIO-TEK FEMALE CRIMP HOUSING WITH IOILOK JACKSCREWS

**DRAWING NUMBER:**  
**M80-459XX98**

SHT 2 OF 2