

**ADSL POTS SPLITTER MODULE**  
**P/N: AD-CO8PCN DATA SHEET**



Bothhand USA. e-mail: sales@bothhandusa.com http://www.bothhand.com

**Feature**

- 8 Ports are available.
- Handle all POTS loop currents from 0 mA to 100 mA.
- Designed for implementation of ADSL CO application.
- Operating Temperature: -10°C to +60°C.
- Storage Temperature: -25°C to +75°C.

Specifications					
Parameter	Condition	Min	Typ	Max	Unit
Impedance			600		ohms
ADSL Band Attenuation	@25 KHz~30 kHz	-50			dB
	@30 KHz~300 KHz	-65			dB
	@300 KHz~1.1MHz	-55			dB
Delay Distortion	@0.6 to 3.2 KHZ			100	us
Longitudinal Balance	@200Hz~3.4KHz	-58			dB
Resistance isolation to earth		10			Mohms
Dc Current carrying capability				100	mA
Dc Resistance each line				20	ohms
Tip to ring capacitance				115	nF
Insertion loss	@ 200 to 3.4 KHZ	+1.0	0	-1.0	dB
Return loss	@ 0.3 to 0.5 KHZ	14			dB
	@ 0.5 to 2.0 KHZ	18			dB
	@ 2.0 to 3.4 KHZ	16			dB

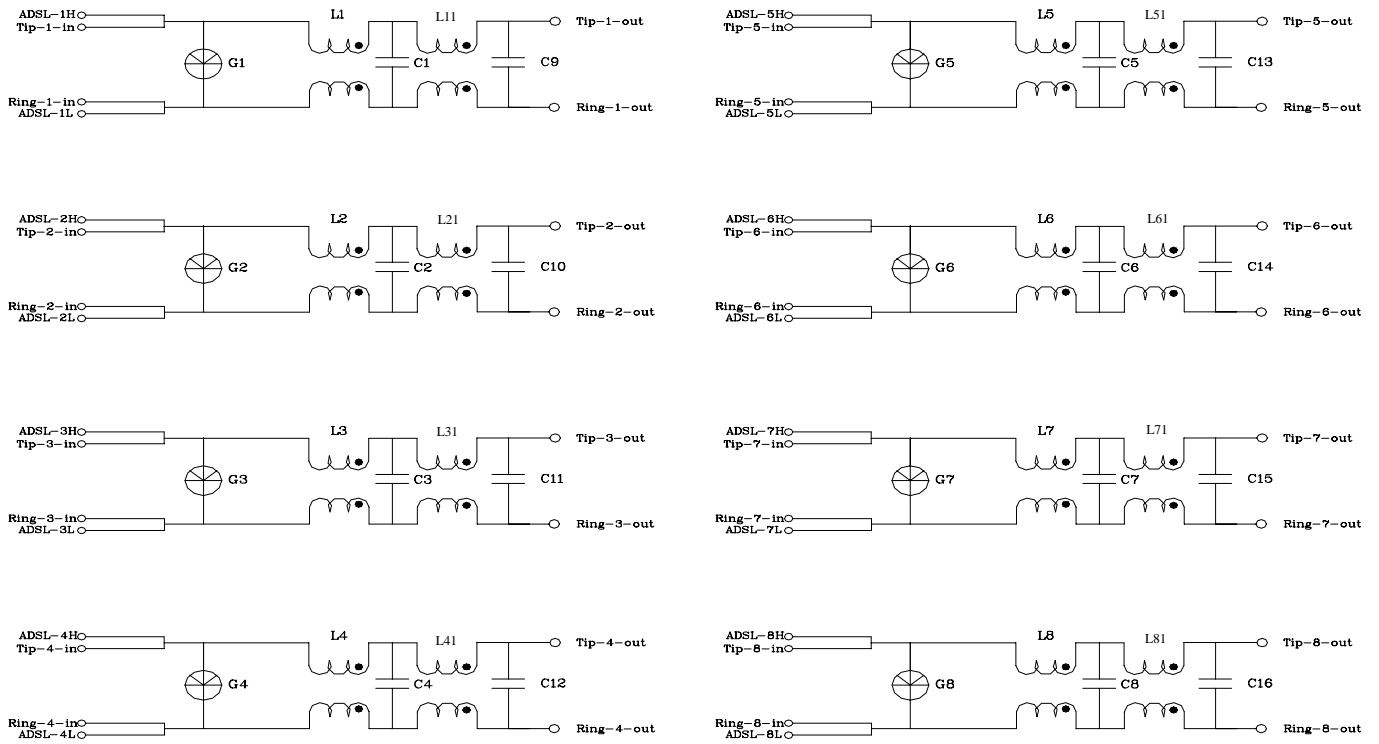
# ADSL POTS SPLITTER MODULE

## P/N: AD-CO8PCN DATA SHEET



Bothhand USA. e-mail: sales@bothhandusa.com http://www.bothhand.com

### Schematic



### Mechanical

