

PLEASE CHECK WWW.MOLEX.COM FOR LATEST PART INFORMATION

Part Number: [0876802001](#)
Status: **Active**
Overview: [extreme_powerplus_ssi](#)
Description: 6.35mm (.250") Pitch, Power, EXTreme PowerPlus™ All Power Receptacle, Press-fit, Vertical, 0.76µm (30µ") Gold (Au), 2 Circuits, Tin

Documents:

[3D Model](#) [Product Specification PS-87680-006 \(PDF\)](#)
[Drawing \(PDF\)](#) [RoHS Certificate of Compliance \(PDF\)](#)

Agency Certification

CSA LR19980
 UL E29179

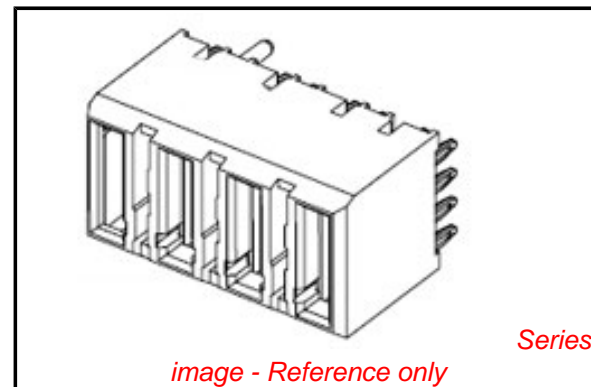
General

Product Family PCB Receptacles
 Series [87680](#)
 Application Board-to-Board
 Comments Recessed Power Circuit Position: 2
 Overview [extreme_powerplus_ssi](#)
 Product Name EXTreme PowerPlus™

Physical

Circuits (Loaded) 2
 Circuits Detail Power 2
 Color - Resin Black
 Durability (mating cycles max) 100
 Flammability 94V-0
 Glow-Wire Compliant No
 Guide to Mating Part Yes
 Lock to Mating Part None
 Material - Plating Mating Gold
 Material - Plating Termination Tin
 Material - Resin High Temperature Thermoplastic
 Number of Rows 1
 Orientation Vertical
 PC Tail Length (in) 0.135 In
 PC Tail Length (mm) 3.43 mm
 PCB Locator No
 PCB Retention Yes
 PCB Thickness Recommended (in) 0.093 In
 PCB Thickness Recommended (mm) 2.40 mm
 Packaging Type Tray
 Pitch - Mating Interface (in) 0.250 In
 Pitch - Mating Interface (mm) 6.35 mm
 Plating min: Mating (µin) 30.4
 Plating min: Mating (µm) 0.76
 Plating min: Termination (µin) 101.6
 Plating min: Termination (µm) 2.54
 Polarized to Mating Part Yes
 Polarized to PCB Yes
 Surface Mount Compatible (SMC) No
 Temperature Range - Operating -20°C to +105°C
 Termination Interface: Style Through Hole - Compliant Pin

Electrical



EU RoHS

ELV and RoHS Compliant
REACH SVHC Contains SVHC: No
Halogen-Free Status

China RoHS



Need more information on product environmental compliance?

Email productcompliance@molex.com
 For a multiple part number RoHS Certificate of Compliance, [click here](#)

Please visit the [Contact Us](#) section for any non-product compliance questions.

Search Parts in this Series

[87680Series](#)

Mates With

[87658 EXTreme PowerPlus™ Header](#)

Current - Maximum per Contact	30A
Voltage - Maximum	48V

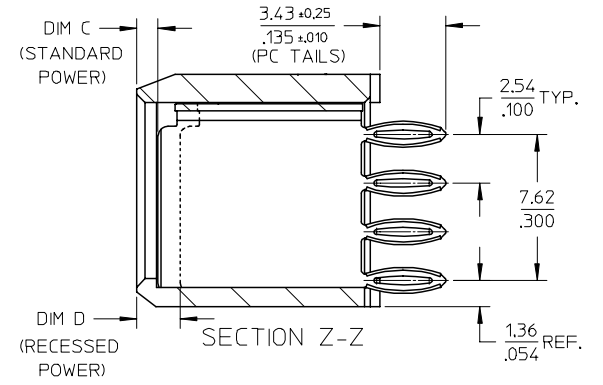
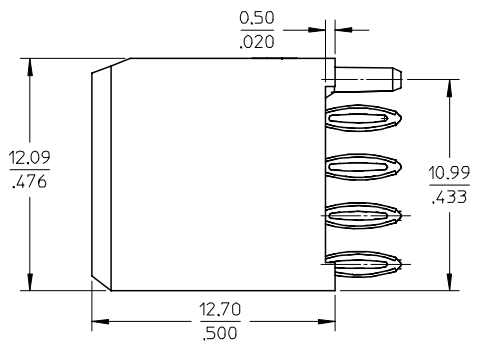
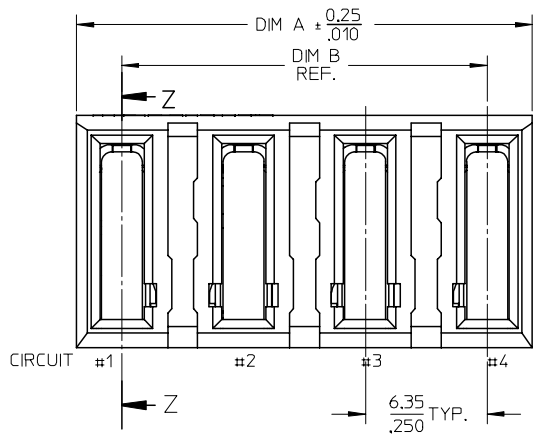
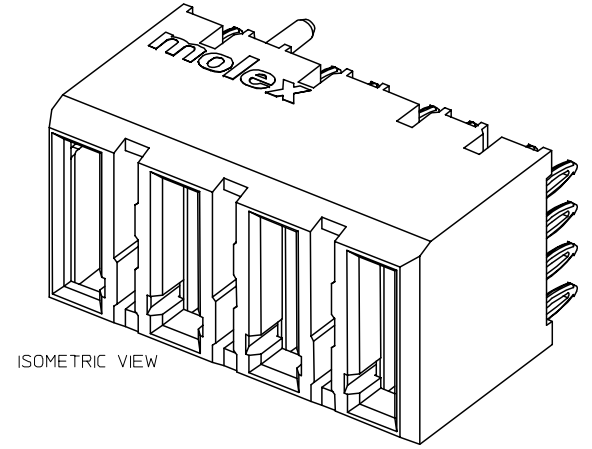
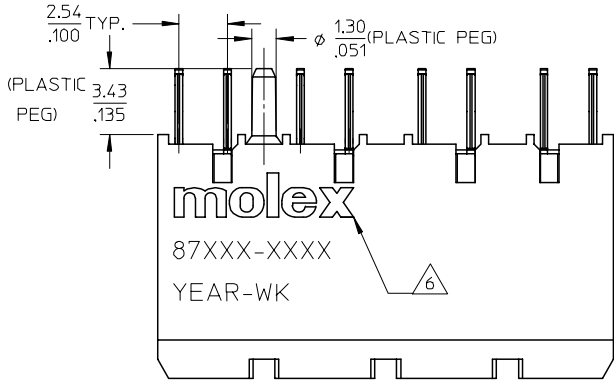
Material Info

Reference - Drawing Numbers

Application Specification	AS-87631-018, AS-87633-007
Product Specification	PS-87680-006
Sales Drawing	SD-87680-010

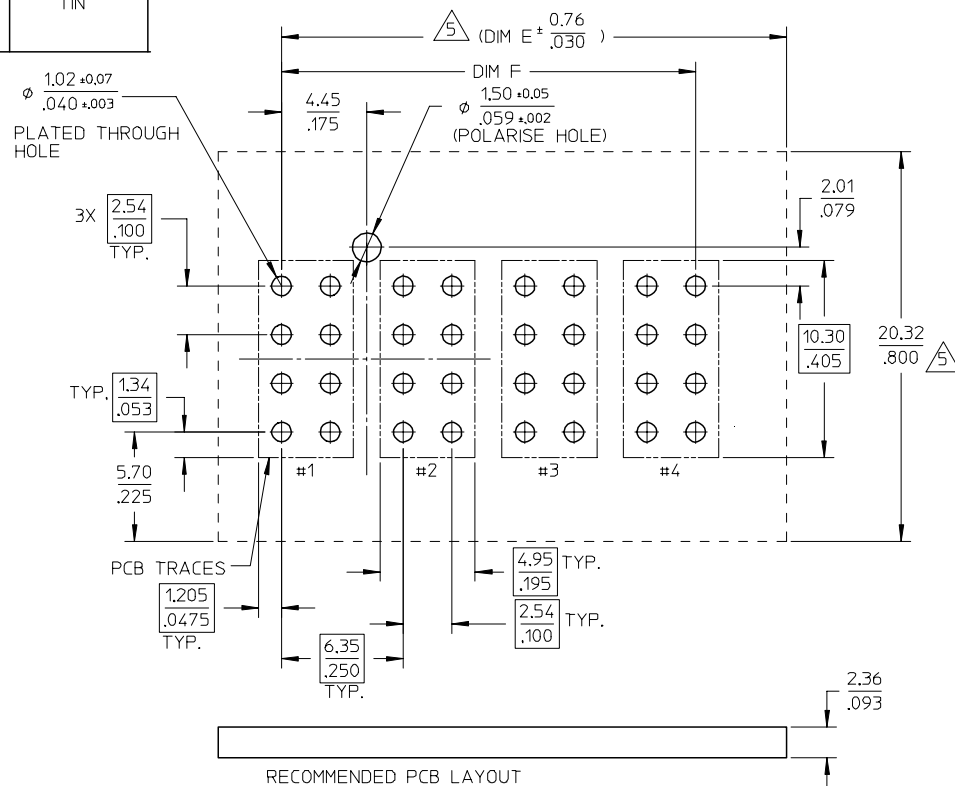
This document was generated on 05/21/2010

PLEASE CHECK WWW.MOLEX.COM FOR LATEST PART INFORMATION



ADD ASSY P/N FOR L/F EC NO: SZ005-0091 DRWN:NRVITAP 2004/08/10 CHKD:PTLIM 2004/08/10 APPR:SCLOW 2004/08/11	QUALITY SYMBOLS ▽ = 0 ▽ = 0	GENERAL TOLERANCES (UNLESS SPECIFIED)		SCALE NTS	DESIGN UNITS METRIC	THIRD ANGLE PROJECTION	REVISE ON CAD ONLY		
			mm	INCH	DIMENSION STYLE MM/IN		TITLE POWER CONN. RECEPTACLE POWER CONFIGURATION VERTICAL PRESS-FIT		
		4 PLACES	± ---	± ---	DRAWN BY KMGOH	DATE 2002/08/27	MATERIAL NO. SEE TABLE		
		3 PLACES	± ---	± .005	CHECKED BY PTLIM	DATE 2002/11/25	DOCUMENT NO. SD-87680-010		
2 PLACES	± 0.13	± ---	ANGULAR ± 3 °		APPROVED BY SKTOH		DATE 2002/11/26		
1 PLACE	± ---	± ---	DRAFT WHERE APPLICABLE		MATERIAL NO. SEE TABLE		DOCUMENT NO. SD-87680-010		
MUST REMAIN WITHIN DIMENSIONS		THIS DRAWING CONTAINS INFORMATION THAT IS PROPRIETARY TO MOLEX INCORPORATED AND SHOULD NOT BE USED WITHOUT WRITTEN PERMISSION		SHEET NO. 1 OF 2		B			

PART NUMBER	NUMBER OF POWER PINS	RECESSED POWER CIRCUIT #	DIM A	DIM B	DIM C	DIM D	DIM E	DIM F	PACKAGING	STATUS	PLATING OPTION
87680-8001	2	2	11.05 .435	6.35 .250	1.12 .044	2.39 .094	13.63 .537	8.89 .350	TRAY	TOOLED	TIN/LEAD
87680-8002	4	2,3,4	23.75 .935	19.05 .750	1.12 .044	2.39 .094	26.33 1.037	21.59 .850	TRAY	TOOLED	TIN
87680-2001	2	2	11.05 .435	6.35 .250	1.12 .044	2.39 .094	13.63 .537	8.89 .350	TRAY	TOOLED	TIN
87680-2002	4	2,3,4	23.75 .935	19.05 .750	1.12 .044	2.39 .094	26.33 1.037	21.59 .850	TRAY	TOOLED	TIN



CONNECTOR - NOTES

- MATERIALS :
 - HOUSING - HIGH TEMPERATURE THERMO-PLASTIC, GLASS FILLED, UL94-0.COLOR:BLACK.
 - POWER PIN - COPPER ALLOY
 - PLATING :
 - POWER CONTACTS
 - 0.76 MICROMETER MINIMUM GOLD (Au) AT CONTACT AREA AND
 - 2.54 MICROMETER MINIMUM TIN/LEAD OR TIN AT SOLDER TAIL AREA
 - OVER 1.27um MIN. NICKEL (Ni) UNDERPLATE.
 - PRODUCT SPECIFICATION: PS-87680-006.
 - PCB NOTE FOR DIAMETER 1.02/0.40 PLATED HOLE.
 - DRILLED HOLE SIZE IS 1.151/0.453
 - PLATE WITH 0.007/0.0003 MINIMUM TIN/LEAD OR TIN OVER 0.03/0.001 TO 0.08/0.003 COPPER PLATING TO ACHIEVE 1.02±0.08/0.40±0.003 HOLE.
 - SEE SHEET 2 FOR RECOMMENDED PCB LAYOUT.
- COMPONENT STAY AWAY ZONE FROM CONNECTOR.
 MANUFACTURER LOGO, PART NUMBER AND YEAR-WEEK CODE.

ADD ASSY P/N FOR L/F	EC NO: S2005-0091 DRWN:NRVITAP 2004/08/10 CHKD:PTLIM 2004/08/10 APPR:SCLOW 2004/08/11	DESCRIPTION	QUALITY SYMBOLS	GENERAL TOLERANCES (UNLESS SPECIFIED)	SCALE NTS	DESIGN UNITS METRIC	THIRD ANGLE PROJECTION	REVISE ON CAD ONLY														
			 	<table border="1"> <thead> <tr> <th></th> <th>mm</th> <th>INCH</th> </tr> </thead> <tbody> <tr> <td>4 PLACES</td> <td>± ---</td> <td>± ---</td> </tr> <tr> <td>3 PLACES</td> <td>± ---</td> <td>± .005</td> </tr> <tr> <td>2 PLACES</td> <td>± 0.13</td> <td>± ---</td> </tr> <tr> <td>1 PLACE</td> <td>± ---</td> <td>± ---</td> </tr> </tbody> </table>		mm	INCH	4 PLACES	± ---	± ---	3 PLACES	± ---	± .005	2 PLACES	± 0.13	± ---	1 PLACE	± ---	± ---	DIMENSION STYLE MM/IN	TITLE	
					mm	INCH																
				4 PLACES	± ---	± ---																
3 PLACES	± ---	± .005																				
2 PLACES	± 0.13	± ---																				
1 PLACE	± ---	± ---																				
ANGULAR ± 3 °	DRAFT WHERE APPLICABLE	DRAWN BY KMG0H	DATE 2002/08/27	POWER CONN. RECEPTACLE POWER CONFIGURATION VERTICAL PRESS-FIT																		
	MUST REMAIN WITHIN DIMENSIONS	CHECKED BY PTLIM	DATE 2002/11/25	MOLEX INCORPORATED																		
		APPROVED BY SKTOH	DATE 2002/11/26	MATERIAL NO. SEE TABLE	DOCUMENT NO. SD-87680-010	SHEET NO. 2 OF 2																

THIS DRAWING CONTAINS INFORMATION THAT IS PROPRIETARY TO MOLEX INCORPORATED AND SHOULD NOT BE USED WITHOUT WRITTEN PERMISSION