

**PLEASE CHECK WWW.MOLEX.COM FOR LATEST PART INFORMATION**

**Part Number:** [0855687881](#)  
**Status:** **Active**  
**Overview:** [modular\\_plugs\\_jacks](#)  
**Description:** Modular Plug, Short Body, Shielded, 8/8, Black Boot, Cat6

**Documents:**

[3D Model](#) [Product Specification PS-85568-001 \(PDF\)](#)  
[Drawing \(PDF\)](#) [RoHS Certificate of Compliance \(PDF\)](#)

**Agency Certification**

CSA LR19980  
 UL E107635

**General**

Product Family Modular Jacks/Plugs  
 Series [85568](#)  
 Component Type Wire Plug  
 Magnetic No  
 Overview [modular\\_plugs\\_jacks](#)  
 Performance Category 6  
 Power over Ethernet (PoE) N/A  
 Product Name RJ45

**Physical**

Boot Color BLACK  
 Color - Resin Clear  
 Durability (mating cycles max) 750  
 Flammability 94V-0  
 Inverted / Top Latch N/A  
 Lightpipes/LEDs None  
 Material - Metal Phosphor Bronze  
 Material - Plating Mating Gold  
 Material - Plating Termination Tin-Lead  
 Material - Resin Polycarbonate  
 Orientation N/A  
 PCB Locator No  
 PCB Retention None  
 Packaging Type Bag  
 Pitch - Mating Interface (in) 0.040 In  
 Pitch - Mating Interface (mm) 1.02 mm  
 Pitch - Term. Interface (in) 0.040 In  
 Pitch - Term. Interface (mm) 1.02 mm  
 Plating min: Mating (µin) 12  
 Plating min: Mating (µm) 0.3  
 Plating min: Termination (µin) 50.8  
 Plating min: Termination (µm) 1.27  
 Ports 1  
 Positions / Loaded Contacts 8/8  
 Surface Mount Compatible (SMC) No  
 Temperature Range - Operating -40°C to +80°C  
 Termination Interface: Style IDT or Pierce  
 Waterproof / Dustproof No  
 Wire/Cable Type Round

**Electrical**

Current - Maximum per Contact 1.5A

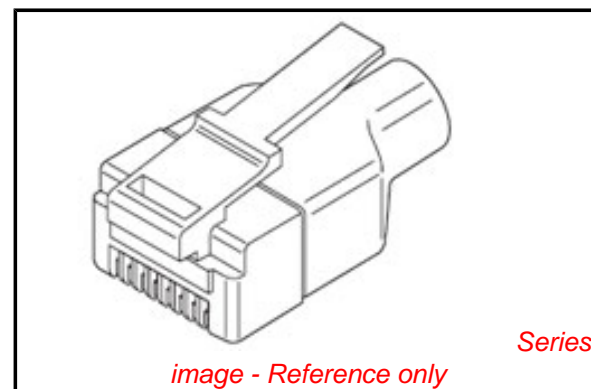


image - Reference only

**EU RoHS**

**ELV and RoHS Compliant**  
**REACH SVHC**  
 Not Reviewed  
**Halogen-Free Status**  
 Not Reviewed

**China RoHS**



**Need more information on product environmental compliance?**

Email [productcompliance@molex.com](mailto:productcompliance@molex.com)  
 For a multiple part number RoHS Certificate of Compliance, [click here](#)

Please visit the [Contact Us](#) section for any non-product compliance questions.

**Search Parts in this Series**

[85568Series](#)

**Mates With**

FCC 68 Jacks

**Application Tooling | FAQ**

*Tooling specifications and manuals are found by selecting the products below. Crimp Height Specifications are then contained in the Application Tooling Specification document.*

**Global**

Description	Product #
Handtool for 85568 Telecom Plug, Type C Crimp with Diameter 6.0 Cable	<a href="#">0690081192</a>

Grounding to Panel	N/A
Shielded	Yes
Voltage - Maximum	125V AC (RMS)

### **Material Info**

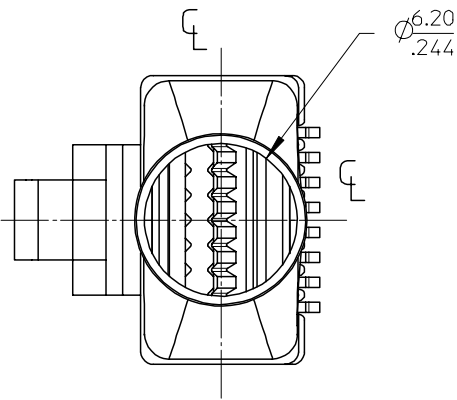
### **Reference - Drawing Numbers**

Application Specification	AS-85568-002
Packaging Specification	PK-85568-001
Product Specification	PS-85568-001
Sales Drawing	SD-85568-001, SD-95115-001

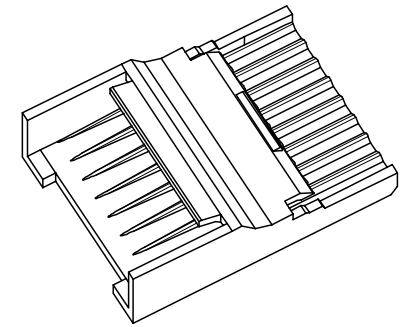
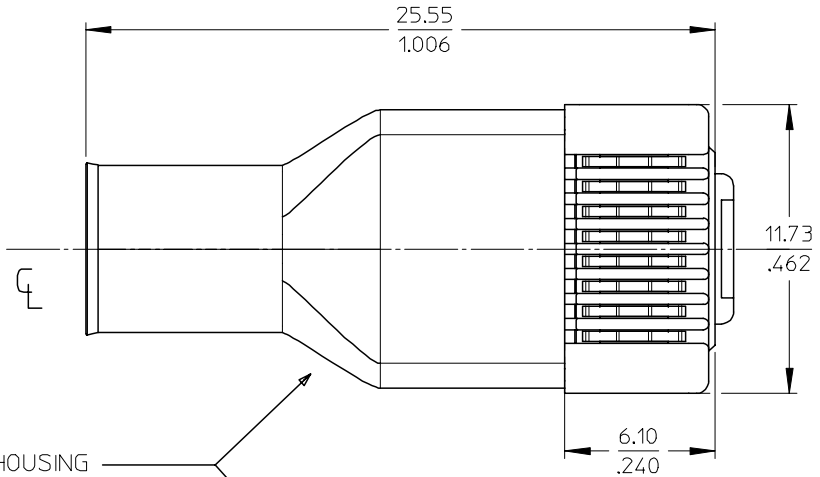
This document was generated on 06/08/2010

**PLEASE CHECK [WWW.MOLEX.COM](http://WWW.MOLEX.COM) FOR LATEST PART INFORMATION**

10 9 8 7 6 5 4 3 2 1



SHIELD ASSEMBLED ONTO HOUSING



NOTES:

1- MATERIAL:

PLUG HOUSING:

CLEAR POLYCARBONATE UL94 V0

WIRE-MANAGER:

CLEAR POLYCARBONATE UL94 V0

TERMINALS:

PHOSPHOR BRONZE PLATED WITH 0.00127/.00005 MIN. GOLD IN CONTACT AREA, 0.00127/.00005 MIN. THIN LEAD IN PIERCE AREA BOTH OVER 0.00127/.00005 MIN. NICKEL

SHIELD:

COPPER ALLOY PLATED WITH 0.00254/.000100 MIN. BRIGHT TIN OVER 0.00127/.00005 MIN. NICKEL

2- PRODUCT INTENDED TO TERMINATE

ROUND SHIELDED PIMF CABLE

WITH JACKET O.D.: 5.9 +0.2 -0.3/ .232 +.008 -.012

AS PER APPLICATION SPECIFICATION

APPLICATION TOOLING- HAND TOOL:69008-1192

DIE SET:69008-1193

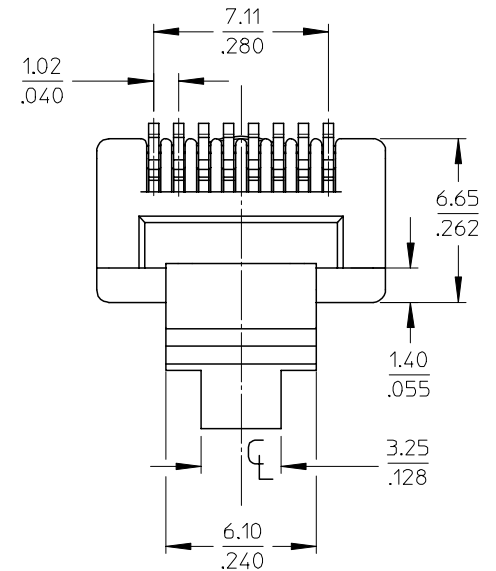
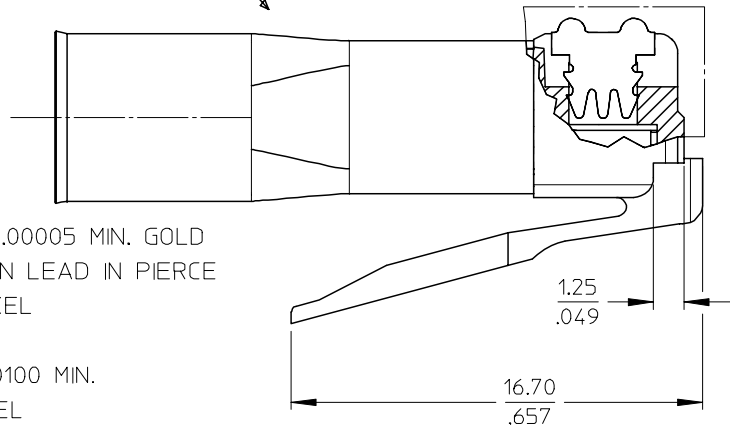
3- PRODUCT SPECIFICATION: PS-85568-001

4- APPLICATION SPECIFICATION: AS-85568-002

5- PACKAGING SPECIFICATION: PK-85568-001

6- MATING INTERFACE DIMENSIONS OF PLUG ACC.

IEC 60603-7-1 FREE CONNECTOR-VARIANT 02



APP TOOLING ADDED TO NOTE 6  
 EC NO: E2007-0831  
 DRWN: PGRADY 2007/03/23  
 CHKD: 2007/03/23  
 APPR: EOMAHONY 2007/03/23

QUALITY SYMBOLS ▽=0 ▽=0	GENERAL TOLERANCES (UNLESS SPECIFIED)		DIMENSION STYLE MM/IN		SCALE 5:1	DESIGN UNITS METRIC	THIRD ANGLE PROJECTION		
		mm	INCH	DRAWN BY	DATE	TITLE			
	4 PLACES	± ---	± ---	SSTE INKE	2002/10/01	SHIELDED MOD. PLUG CAT.6 8 POS. WITH WIRE MANAGER ROUND CABLE			
	3 PLACES	± ---	± ---	CHECKED BY	DATE				
2 PLACES	± 0.25	± .010	SFIL IPON	2002/10/08	MOLEX INCORPORATED				
1 PLACE	± ---	± ---	APPROVED BY	DATE					
ANGULAR ± .5 °		DRAFT WHERE APPLICABLE MUST REMAIN WITHIN DIMENSIONS		MATERIAL NO.	DATE	DOCUMENT NO.		SHEET NO.	
				SEE SHEET 2	2002/10/08	SD-85568-001		1 OF 2	
THIS DRAWING CONTAINS INFORMATION THAT IS PROPRIETARY TO MOLEX INCORPORATED AND SHOULD NOT BE USED WITHOUT WRITTEN PERMISSION									

9 8 7 6 5 4 3 2 1

10 9 8 7 6 5 4 3 2 1

F

E

D

C

B

A

F

E

D

C

B

A

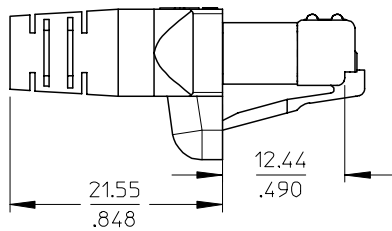
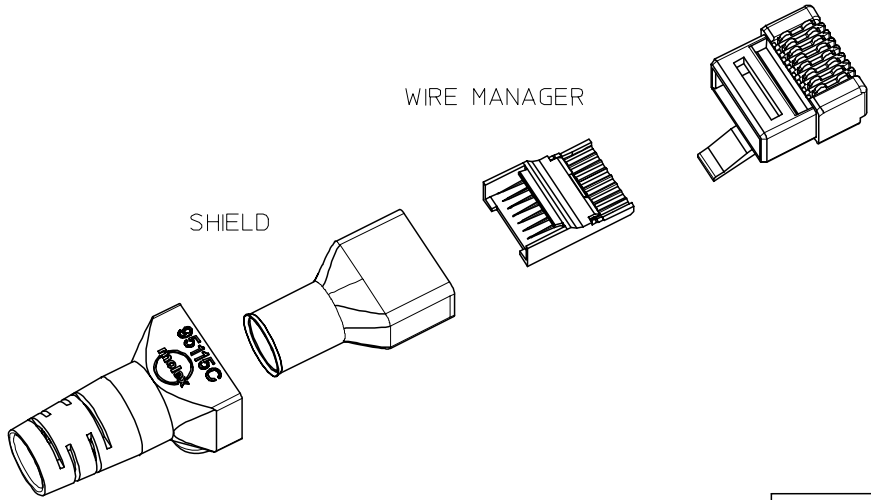
ASSEMBLY HOUSING

WIRE MANAGER

SHIELD

# SHIELDED PLUG COMPOSITION

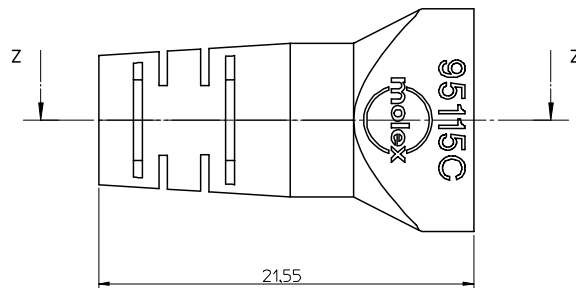
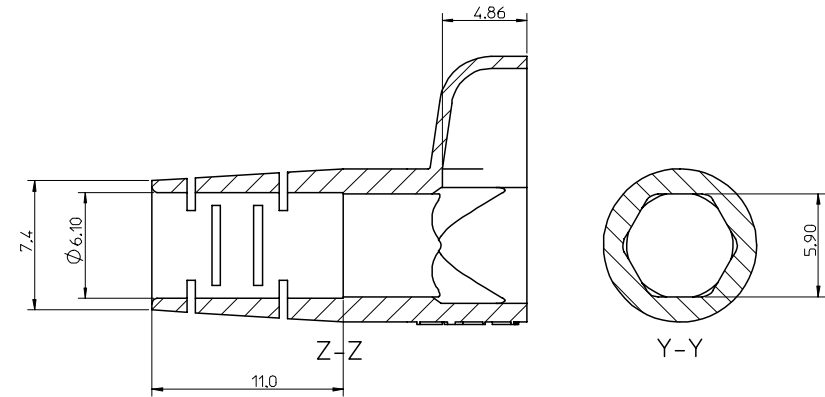
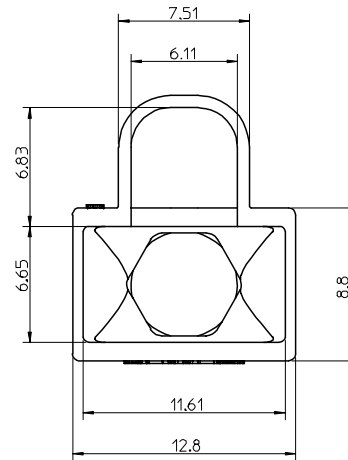
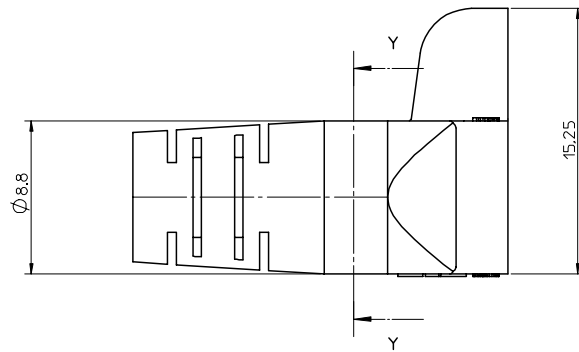
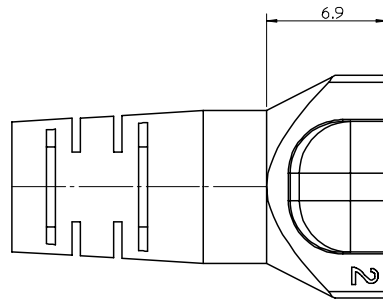
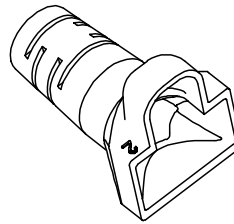
BOOT WITH LATCH PROTECTION  
(IF REQUESTED)



ASSEMBLY PART NUMBER	BOOT WITH LATCH PROTECTION			PARTS/ UNIT	PACKAGING VERSION
	PART NUMBER	COLOR	RAL NBR		
85568-7880	NO BOOT			1	A
85568-7881	95115-4881	BLACK	9005	1	A
85568-7882	95115-4882	GREY	7012	1	A
85568-7883	95115-4883	GREEN	6016	1	A
85568-7884	95115-4884	RED	3000	1	A
85568-7885	95115-4885	YELLOW	1021	1	A
85568-7886	95115-4886	BLUE	5015	1	A
85568-7887	95115-4887	ORANGE	2004	1	A

EC NO: E2007-0831 DRWN: PGRADY 2007/03/23 CHKD: 2007/03/23 APPR: EOMAHONY 2007/03/23	QUALITY SYMBOLS	GENERAL TOLERANCES (UNLESS SPECIFIED)	DIMENSION STYLE	SCALE	DESIGN UNITS	THIRD ANGLE PROJECTION
	▽=0 ∇=0	mm INCH 4 PLACES ± --- ± --- 3 PLACES ± --- ± --- 2 PLACES ± 0.25 ± .010 1 PLACE ± --- ± --- ANGULAR ± .5 °	MM/IN	2:1	METRIC	
	DESCRIPTION	DRAWN BY	DATE	TITLE	MOLEX INCORPORATED SD-85568-001	
	REV	DATE	DATE	DATE	DATE	DATE

PART NUMBER CHART			
PART NUMBER	MARKING	COLOUR	RAL NBR
95115-4881	95115 C	BLACK	9005
95115-4882	95115 C	GREY	7035
95115-4883	95115 C	GREEN	6016
95115-4884	95115 C	RED	3000
95115-4885	95115 C	YELLOW	1021
95115-4886	95115 C	BLUE	5015
95115-4887	95115 C	ORANGE	2003



NOTES:

- 1- MATERIAL: THERMOPLASTIC RUBBER 'SANTOPRENE 251-80' FROM MONSANTO RATED UL 94 V-0, HARDNESS 80 SHORE A COLOUR: SEE CHART
- 2- EXTERNAL ASPECT AND COLOUR MUST BE UNIFORM
- 3- DIMENSIONS GIVEN ABOUT CENTRELINES ARE SYMMETRICAL ABOUT CENTRELINES WITHIN HALF THE TOTAL TOLERANCE.
- 4- NO BURRS, MARKS ALLOWED ON ALL OUTER SURFACES.
- 5- APPLICATION SPECIFICATION: AS-85568-002
- 6- PACKAGING SPECIFICATION: SEE PK-95115-001

ORIGINAL RELEASE EC NO: E2007-0982 DRAWN BY: DBYRNES CHKD: EOMAHONY APPR: EOMAHONY	DESCRIPTION 2007/05/24 2007/05/24 2007/05/25	QUALITY SYMBOLS		GENERAL TOLERANCES (UNLESS SPECIFIED)		DIMENSION STYLE		SCALE	DESIGN UNITS	THIRD ANGLE PROJECTION	
		$\nabla=0$ $\nabla=0$	mm    INCH 4 PLACES ± --- ± --- 3 PLACES ± --- ± --- 2 PLACES ± 0.20 ± --- 1 PLACE ± 0.3 ± --- ANGULAR ± 5 °	MM ONLY	5:1	METRIC	DRAWN BY: DBYRNES    DATE: 2007/05/22 CHECKED BY: EOMAHONY    DATE: 2007/05/23 APPROVED BY: EOMAHONY    DATE: 2007/05/23 MATERIAL NO.    DOCUMENT NO.				
DRAFT WHERE APPLICABLE MUST REMAIN WITHIN DIMENSIONS		SEE CHART		SD-95115-001		MOLEX INCORPORATED		SHEET NO. 1 OF 1			