

PLEASE CHECK WWW.MOLEX.COM FOR LATEST PART INFORMATION

Part Number: **0500988100**
Status: **Active**
Description: 4.00mm (.157") Pitch Board-In Crimp Terminal, Male, 50098 Series, 18-22 AWG, Bag, for 51036 Housing

Documents:

[Drawing \(PDF\)](#) [Product Specification PS-51036-003 \(PDF\)](#)
[Product Specification PS-51036-002 \(PDF\)](#) [RoHS Certificate of Compliance \(PDF\)](#)

General

Product Family	Crimp Terminals
Series	<u>50098</u>
Crimp Quality Equipment	Yes
Product Name	Board-In

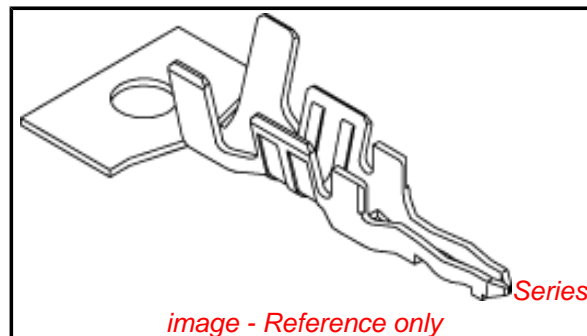
Physical

Gender	Male
Material - Metal	Phosphor Bronze
Material - Plating Mating	Tin
Material - Plating Termination	Tin
Packaging Type	Bag
Plating min: Mating (µin)	36
Plating min: Mating (µm)	0.90
Plating min: Termination (µin)	36
Plating min: Termination (µm)	0.90
Termination Interface: Style	Crimp or Compression
Wire Insulation Diameter	1.80-2.60mm (.071-.102")
Wire Size AWG	18, 20, 22
Wire Size mm ²	N/A

Material Info

Reference - Drawing Numbers

Product Specification	PS-51036-002, PS-51036-003, RPS-51036-001, RPS-51036-002, RPS-51036-003
Sales Drawing	SD-50098-8*00



EU RoHS

**ELV and RoHS
Compliant**
REACH SVHC
Contains SVHC: No
Halogen-Free
Status
Not Reviewed

China RoHS



**Need more information on product
environmental compliance?**

Email productcompliance@molex.com
For a multiple part number RoHS Certificate of Compliance, [click here](#)

Please visit the [Contact Us](#) section for any non-product compliance questions.

Search Parts in this Series

50098Series

Use With

51036

Application Tooling | FAQ

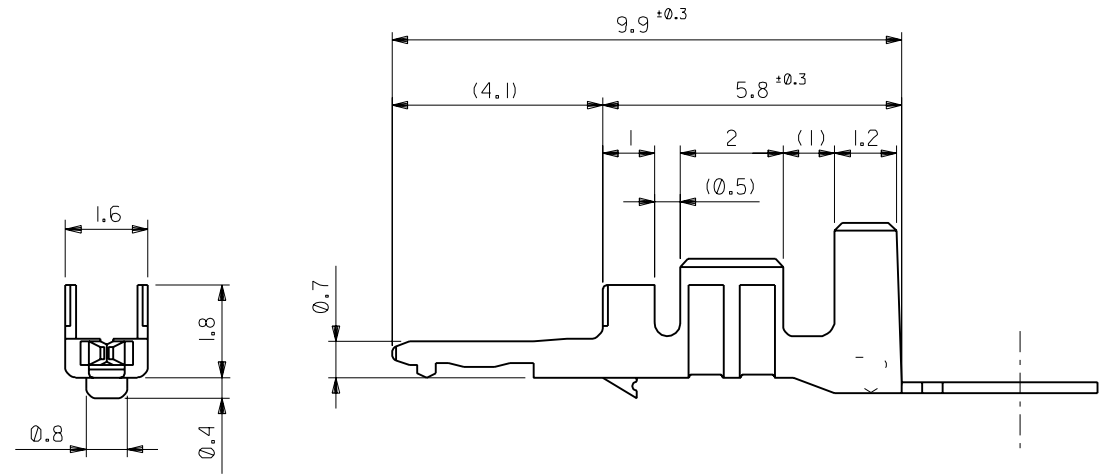
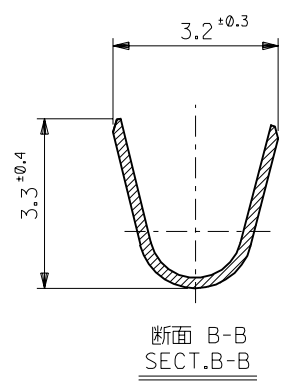
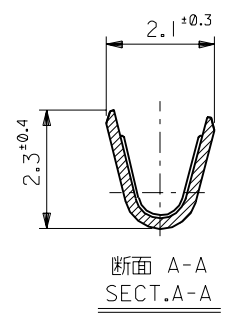
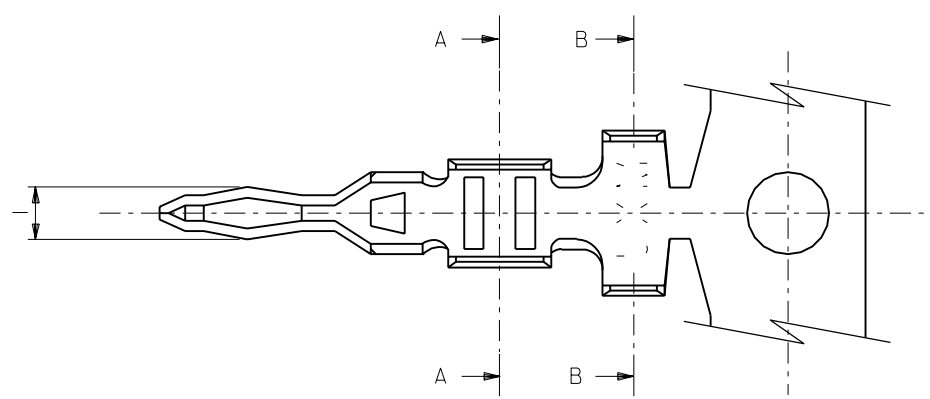
Tooling specifications and manuals are found by selecting the products below. Crimp Height Specifications are then contained in the Application Tooling Specification document.

Japan

Description	Product #
Hand Crimp Tool, 18-22 AWG, for 50098 Crimp Terminal	<u>0571195000</u>

DWG. NO.
SD-50098-8*00

DIMENSIONS IN METRIC DO NOT SCALE DRAWING



50098-8100	バラ状
50098-8000	連鎖状
ENG.NO.	形状

注記
NOTE

- 適合ハウジング: 51036-***00
APPLICABLE HOUSING: 51036-***00

角度 ANGLE	±3°					材料 MATERIAL リン青銅(錫メッキ) PHOSPHOR BRONZE t:0.203
30以上 OVER	+0.3					PRE-TINNED PLATE
10以上 OVER	+0.25					仕上げ FINISH — —
30未満 UNDER						適用電線範囲 AWG #22 ~ 18 WIRE RANGE AVS 0.15 ~ 0.85
10未満 UNDER	+0.2					被覆外径 INS. RANGE ∅ 1.8 ~ 2.6
一般公差 GENERAL TOLERANCES		記号 LTR	変更内容 REVISION RECORD	DR. CHK.	日付 DATE	DRAWN BY: %/06/28 K.KITA CHK'D BY: %/06/28 M.SAKANO

molex MOLEX-JAPAN CO.,LTD. 日本モレックス株式会社	
REVISE ONLY ON CAD SYSTEM	
TITLE 名称 BOARD IN CONNECTOR CRIMP PIN	
DWG. NO. SD-50098-8*00	REV C