

PLEASE CHECK WWW.MOLEX.COM FOR LATEST PART INFORMATION

Part Number: [0352820610](#)
Status: **Active**
Description: 2.28mm (.090") Tab Wire-to-Wire Uniconn Housing, Male, 6 Circuits

Documents:

[Drawing \(PDF\)](#) [RoHS Certificate of Compliance \(PDF\)](#)
[Product Specification PS-35282-001 \(PDF\)](#)

General

Product Family	Crimp Housings
Series	35282
Product Name	Uniconn

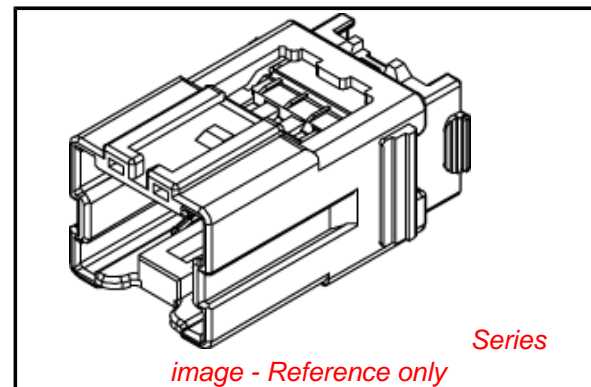
Physical

Circuits (maximum)	6
Color - Resin	Black, Natural
Gender	Female
Glow-Wire Compliant	No
Material - Resin	Polyester
Number of Rows	2
Packaging Type	Bag
Panel Mount	No
Pitch - Mating Interface (in)	0.150 In
Pitch - Mating Interface (mm)	3.80 mm
Temperature Range - Operating	-40°C to +80°C

Material Info

Reference - Drawing Numbers

Product Specification	PS-35282-001
Sales Drawing	SD-35282-001, SD-35282-0610



EU RoHS

**ELV and RoHS
Compliant**
REACH SVHC
 Not Reviewed
**Halogen-Free
Status**

China RoHS



**Need more information on product
environmental compliance?**

Email productcompliance@molex.com
 For a multiple part number RoHS Certificate of
 Compliance, [click here](#)

Please visit the [Contact Us](#) section for any
 non-product compliance questions.

Search Parts in this Series

[35282Series](#)

Mates With

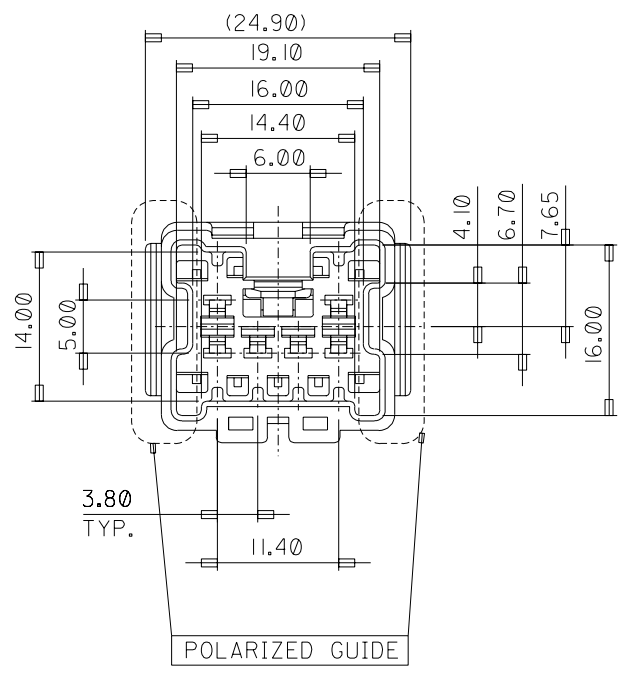
[35284](#)

Use With

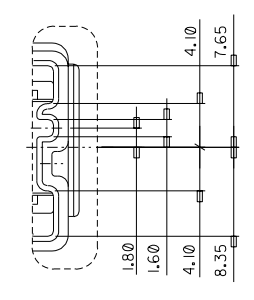
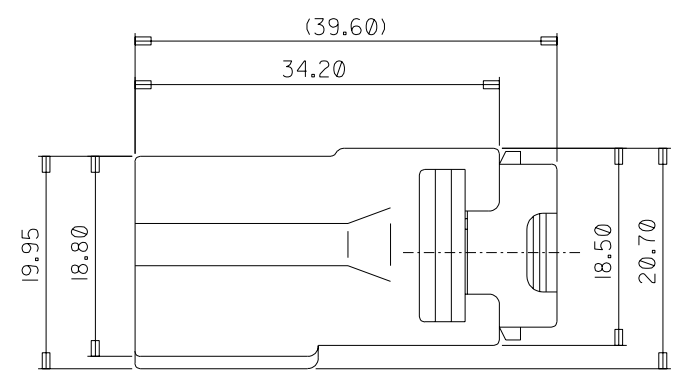
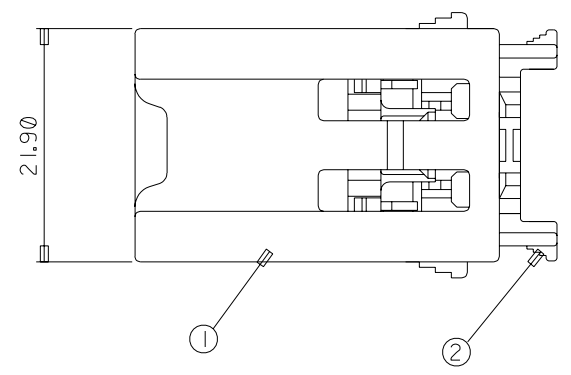
[35420](#) , [35421](#)

DO NOT SCALE DRAWING
DIMENSION IN METRIC

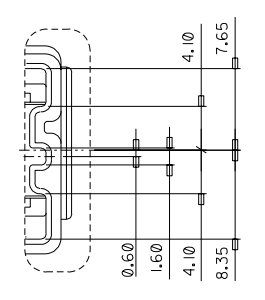
PROJECT NO. SD-35282-001
SIMILAR ITEM



35282-0610 (NATURAL)

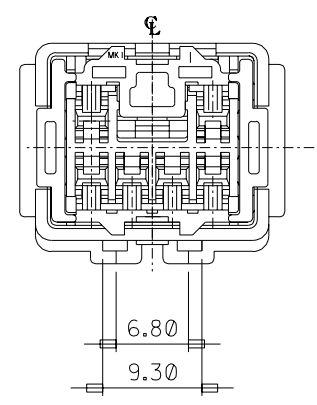


35282-0615 (GRAY)



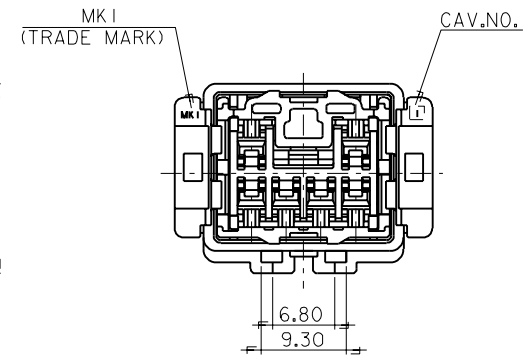
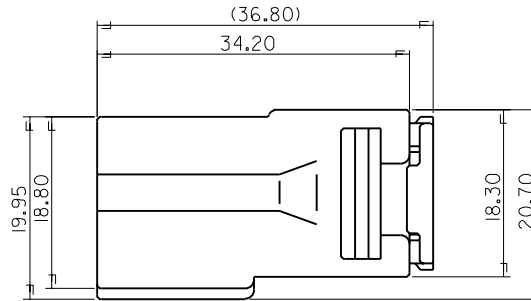
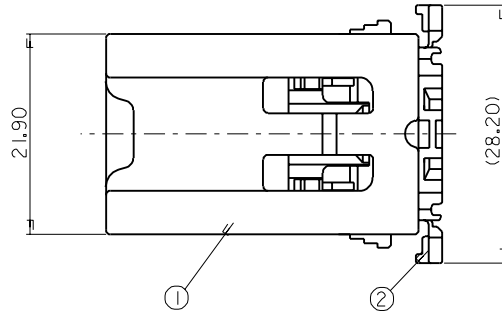
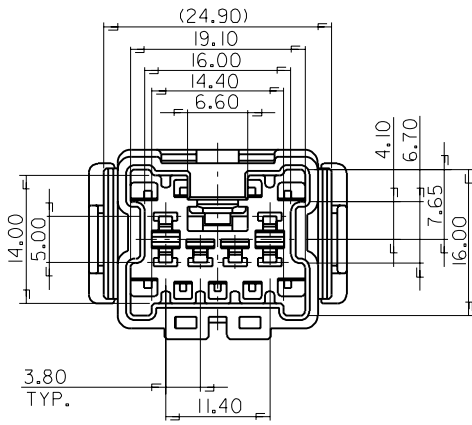
35282-0617 (BROWN)

POLARIZED GUIDE DIM'S



	PART NO.	PART NAME	MATERIAL
①	35282-069*	UNICONN MALE HOUSING-6P	PBT,NATURAL
②	35283-0681	UNICONN MALE TPA-6P	PBT,BLACK

REVISED EC NO. KOR2003-0057 DRWN: S.M.KIM 03/07/11 CHKR: C.RHO APPR: G.M.LEE	MAJOR CRITICAL 	QUALITY SYMBOLS	GENERAL TOLERANCES: (UNLESS SPECIFIED)	SCALE: 1:1	DESIGN UNITS: <input checked="" type="checkbox"/> mm <input type="checkbox"/> INCH	DIMENSIONS: <input type="checkbox"/> mm <input type="checkbox"/> INCH <input checked="" type="checkbox"/> mm ONLY	SHT	REV																									
		DESCRIPTION	<table border="1"> <tr> <th></th> <th>mm</th> <th>INCH</th> </tr> <tr> <td>4 PLACES</td> <td>±0.</td> <td>±.</td> </tr> <tr> <td>3 PLACES</td> <td>±0.</td> <td>±.</td> </tr> <tr> <td>2 PLACES</td> <td>±0.</td> <td>±.</td> </tr> <tr> <td>1 PLACE</td> <td>±0.30</td> <td>±.</td> </tr> </table>		mm	INCH	4 PLACES	±0.	±.	3 PLACES	±0.	±.	2 PLACES	±0.	±.	1 PLACE	±0.30	±.	<table border="1"> <tr> <td colspan="2">DRAWN BY & DATE</td> </tr> <tr> <td>W.Y.YANG, 97/11/17</td> <td></td> </tr> <tr> <td colspan="2">CHECKED BY & DATE</td> </tr> <tr> <td>B.K.CHOI, 97/11/17</td> <td></td> </tr> <tr> <td colspan="2">APPROVED BY & DATE</td> </tr> <tr> <td>C.W.LEE, 97/11/17</td> <td></td> </tr> </table>	DRAWN BY & DATE		W.Y.YANG, 97/11/17		CHECKED BY & DATE		B.K.CHOI, 97/11/17		APPROVED BY & DATE		C.W.LEE, 97/11/17		TITLE:	UNICONN MALE ASS'Y-6P
	mm	INCH																															
4 PLACES	±0.	±.																															
3 PLACES	±0.	±.																															
2 PLACES	±0.	±.																															
1 PLACE	±0.30	±.																															
DRAWN BY & DATE																																	
W.Y.YANG, 97/11/17																																	
CHECKED BY & DATE																																	
B.K.CHOI, 97/11/17																																	
APPROVED BY & DATE																																	
C.W.LEE, 97/11/17																																	
B	REV	CAD FILENAME: SD2820610.DGN	MATERIAL NO. SEE TABLE	DRAWING NO. SD 35282-001	SHEET NO. 1/1	MOLEX INCORPORATED		SIZE C																									
DRAFT WHERE APPLICABLE MUST REMAIN WITHIN DIMENSIONS			THIS DRAWING CONTAINS INFORMATION THAT IS PROPRIETARY TO MOLEX INCORPORATED AND SHOULD NOT BE USED WITHOUT WRITTEN PERMISSION.				MX-A2																										



	PART NO.	PART NAME	MATERIAL
①	35282-0690	UNICONN MALE HOUSING-6P	PBT,NATURAL
②	35283-0681	UNICONN MALE TPA-6P	PBT,BLACK

				MATERIAL SEE TABLE		molex MOLEX-KOREA CO.,LTD.	
				GENERAL TOLERANCE DIMENSION : ±0.30		DRAWN BY W.Y.YANG	
				ANGLE :		CHK'D BY	
				DIMENSION CLASSIFICATION ▽ : CRITICAL ▼ : MAJOR () : REFERENCE		APP'D BY	
A	NEW RELEASE	KOR 97-0150	97.11.17	ASS'Y PART DESCRIPTION ENG. NO.		SCALE 2:1	
LTR	REVISION RECORD	ECN	DATE	TITLE : UNICONN MALE ASS'Y-6P		SHEET 1/1	
REVISE ONLY ON CAD SYSTEM				ENG. NO. SD 35282-0610		REV A	

THIS DRAWING CONTAINS INFORMATION THAT IS PROPRIETARY TO MOLEX(KOREA) AND SHOULD NOT BE USED WITHOUT WRITTEN PERMISSION
MX-A3(ANSI:290,420)